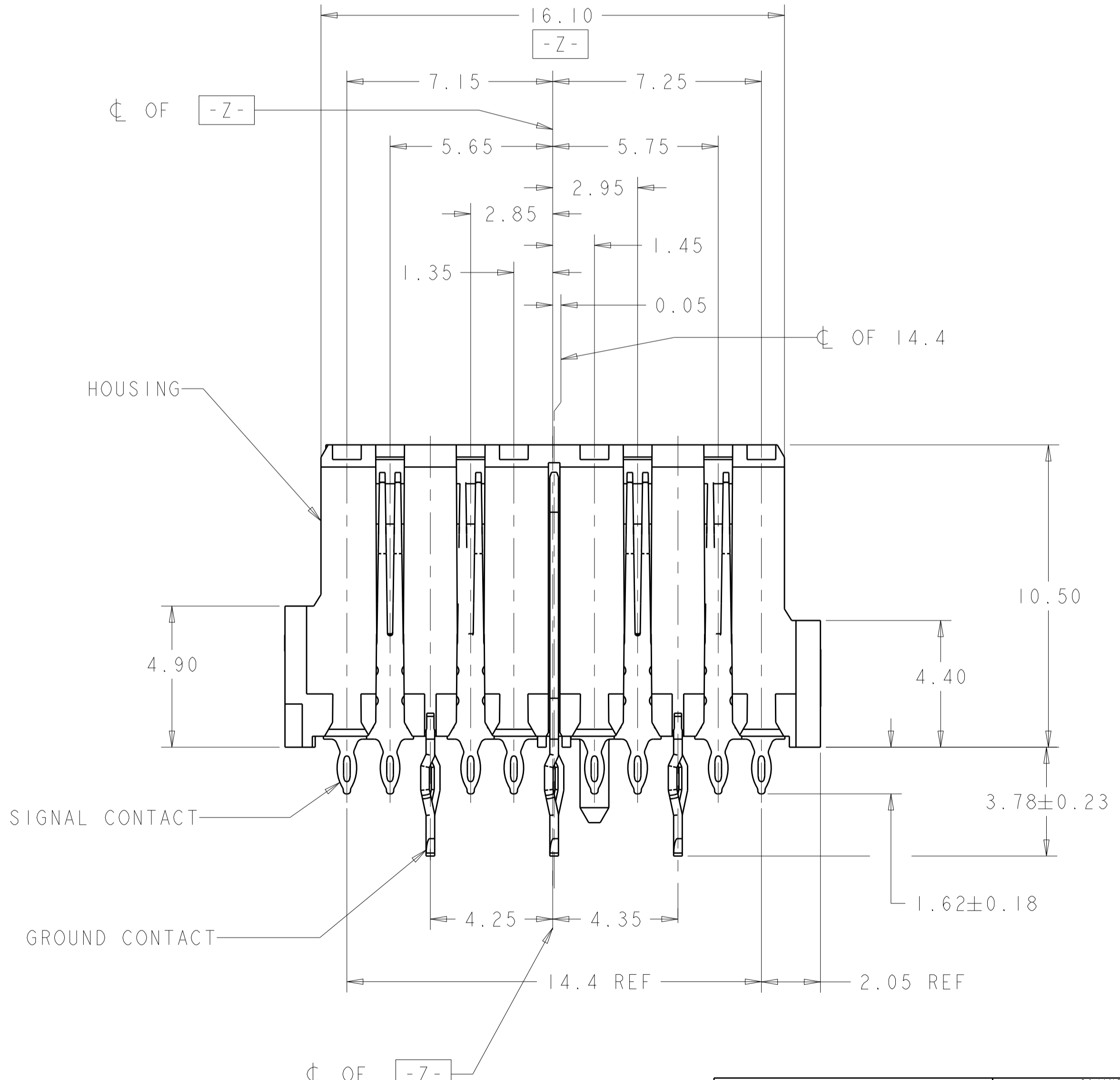
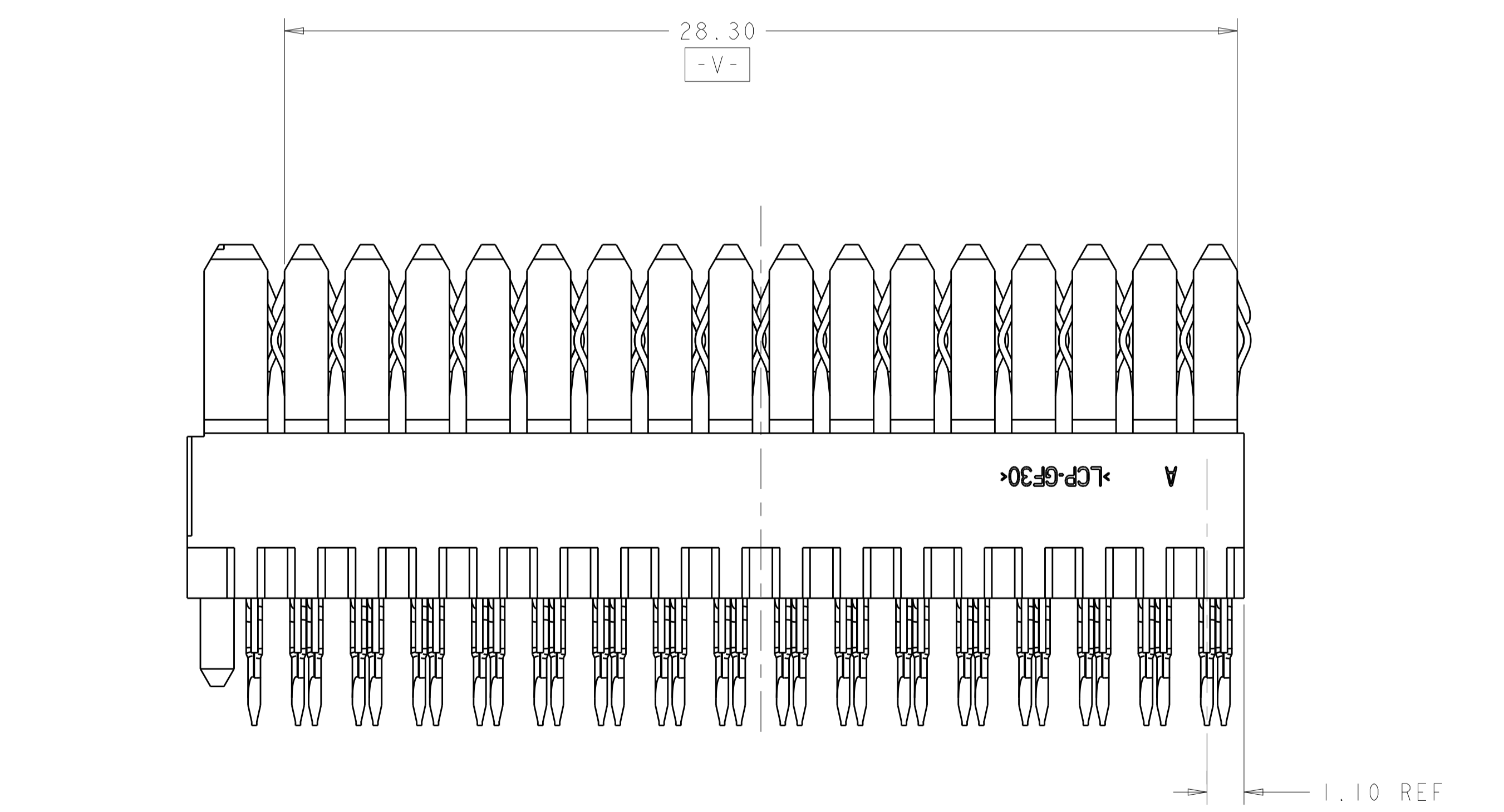
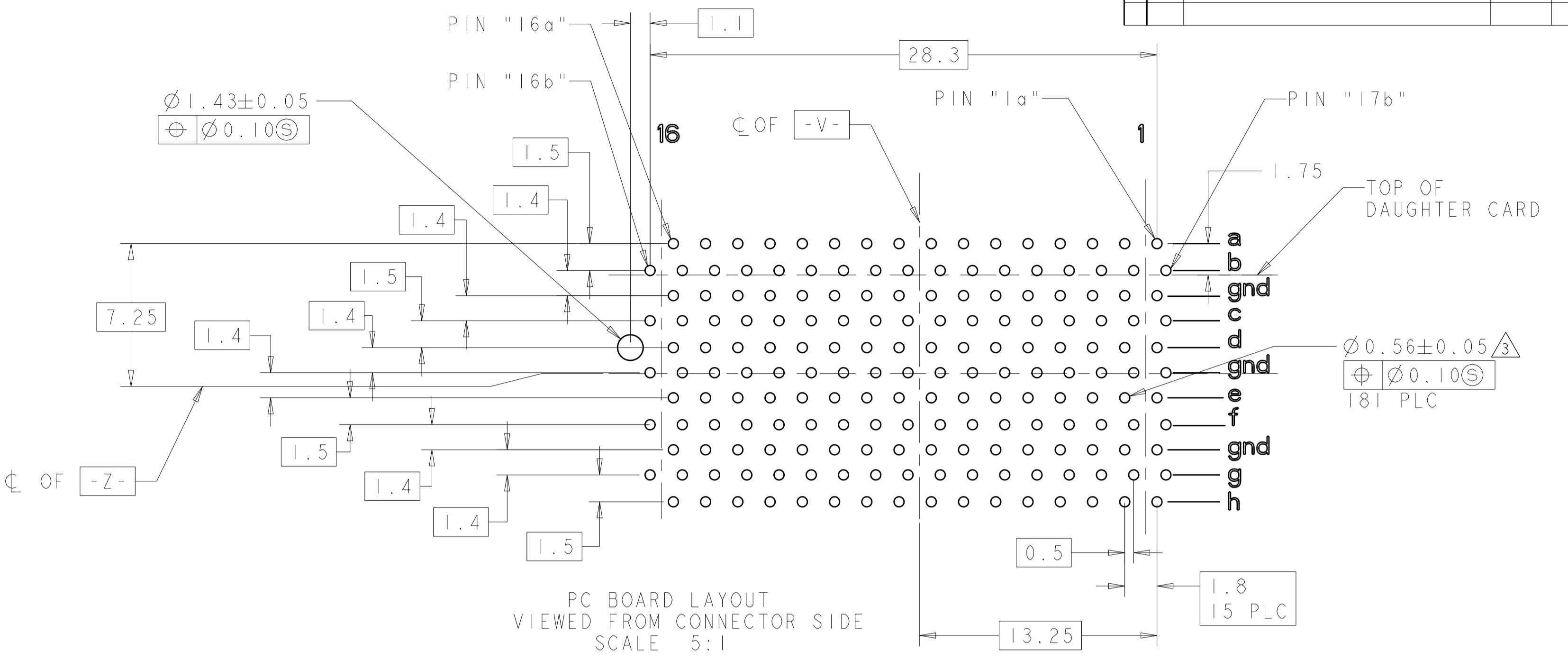
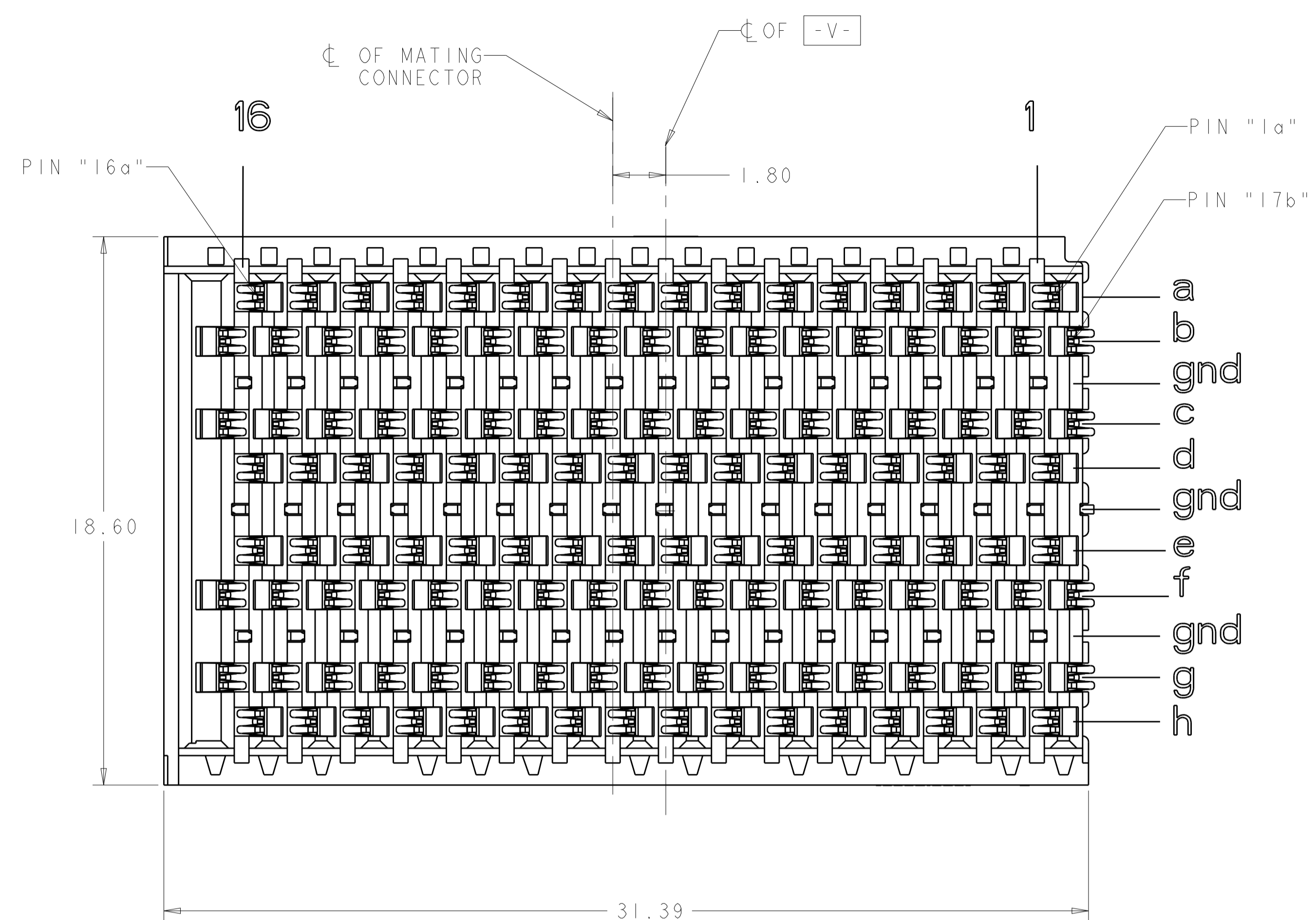


REVISIONS				
REV	DATE	BY	CHK	APPV
E	8-7-14	CT	DH	
REV PER ECO 14-012106				



- 1 HOUSING: LCP, UL94V-0, BLACK. CONTACT: PHOSPHOR BRONZE.
- 2 1.27 μm GOLD PER ASTM B 488 IN CONTACT AREA, 1.27 μm MIN TIN-LEAD ON PCB TAIL, OVER 3.81 μm MIN NICKEL PER SAE AMS-QQ-N-290 OVER ALL.
- 3 PLATE THROUGH HOLES PER TE SPEC. 114-13056, FIGURE 4.
- 4 1.27 μm GOLD PER ASTM B 488 IN CONTACT AREA, 1.27 μm MIN MATTE TIN PER ASTM B 545 ON PCB TAIL, OVER 3.81 μm MIN NICKEL PER SAE AMS-QQ-N-290 OVER ALL.

4	1410202-2
2 3	1410202-1
CONTACT TAIL/HOLE FINISH	PART NO

THIS DRAWING IS A CONTROLLED DOCUMENT.		OWN: R. TREA 30JAN2003	NAME: ASSEMBLY, VERTICAL RECEPTACLE, RIGHT END, FULL, 20.3mm, Multigig RT-1, BACKPLANE CONNECTOR
DIMENSIONS: mm		CHK: D. DEFIBAUGH 30JAN2003	SIZE: 114-13056
TOLERANCES UNLESS OTHERWISE SPECIFIED:		APVD: D. DEFIBAUGH 30JAN2003	WEIGHT: -
0 PLC	±	PRODUCT SPEC	CAGE CODE: 1410202
1 PLC	±0.5	APPLICATION SPEC	SCALE: 8:1
2 PLC	±0.13	FINISH	SHEET 1 OF 1
3 PLC	±	ANGLES	REV E
4 PLC	±		
MATERIAL		CUSTOMER DRAWING	