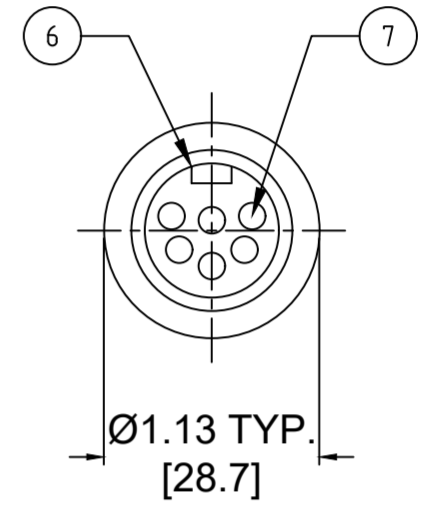
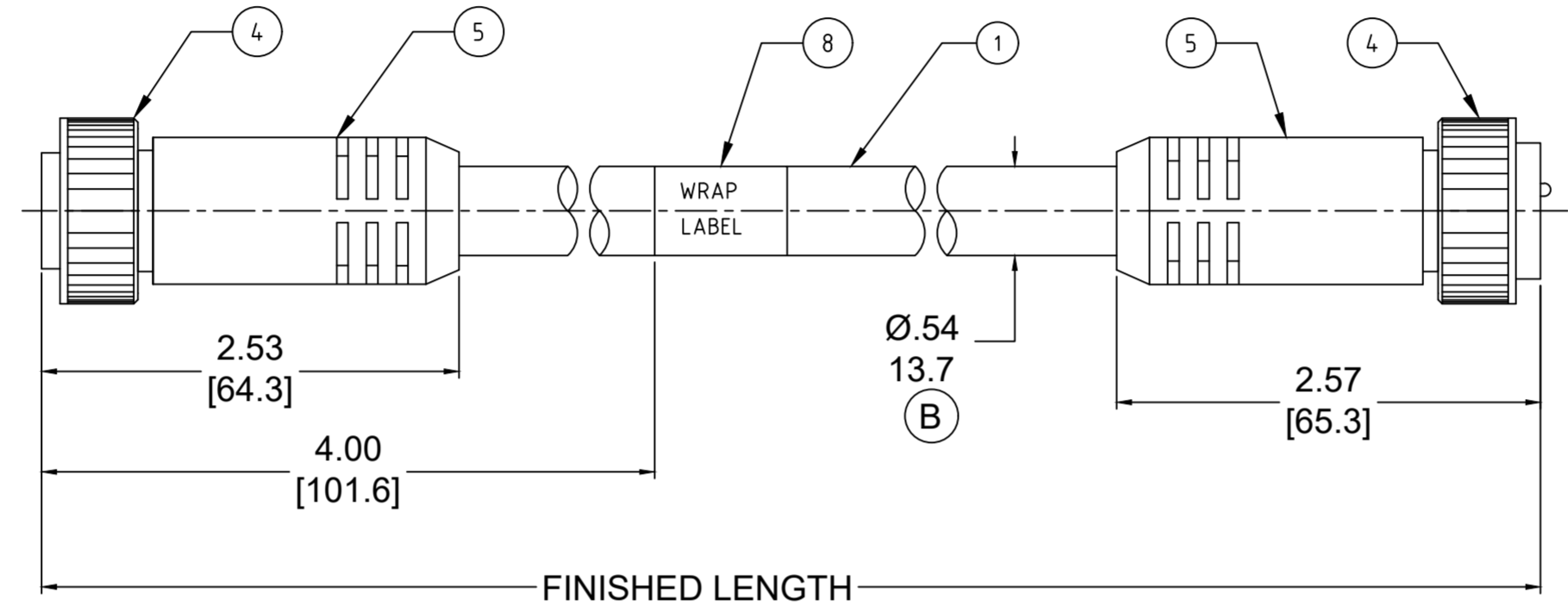
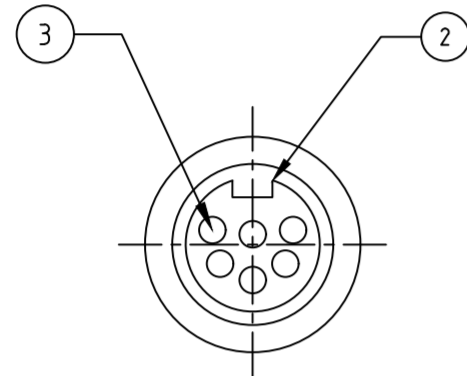


PART NO	ENGINEERING NO.	FINISHED LENGTH
1300110008	226020A01F030	3FT [ 0.9M ]
1300110082	227020A01M300	30M [ 98FT 5 IN ]
1300110158	228020A01M600	60M [ 196FT 10 IN ]



- NOTES:
- MATERIAL: AS NOTED
  - FINISH: AS NOTED
  - ELECTRICAL:
    - 6 POLE: VOLTAGE: 400V PER IEC60664  
600V PER UL2238  
CURRENT: 8A
    - 7 POLE: VOLTAGE: 320V PER IEC60664  
600V PER UL2238  
CURRENT: 8A
    - 8 POLE: VOLTAGE: 320V PER IEC60664  
600V PER UL2238  
CURRENT: 7A
  - TEMP RATING: -20°TO +105°C
  - PROTECTION: IP67 (WHEN MATED)
  - COUPLING THREAD: 1"-16 UN
  - UL RECOGNIZED FILE: E152210  
CSA CERTIFIED FILE: LR6837 (B)
  - ALL DIMENSIONS ARE FOR REFERENCE UNLESS TOLERANCED OR NOTED OTHERWISE

**PART NO. MATRIX**  
**227020A01M010**

POLES (6,7,8)      FINISHED LENGTH:  
 M005= 0.5 METER  
 M010= 1 METER  
 M100= 10 METER

F010= 1 FOOT  
 F100= 10 FEET

**CABLE LENGTH TOLERANCES**

>.3M [1FT]:	+19mm-0 [ +.75in-0]
.3 - .9M [1 - 3FT]:	+44.5mm-0 [+1.75in-0]
.9 - 1.8M [3 - 6FT]:	+55.6mm-0 [+2.19in-0]
1.8 - 3.7M [6 - 12FT]:	+88.9mm-0 [+3.50in-0]
3.7 - 7.3M [12 - 24FT]:	+165.1mm-0 [+6.50in-0]
7.3-14.6M [24 - 48FT]:	+317.5mm-0 [+12.50in-0]
14.6 - 30.5M [48-100FT]:	+622.3mm-0 [+24.50in-0]
OVER 30M [100FT]	+2% OF FINISHED LENGTH

8	WRAP LABEL	VINYL	BLACK/YELLOW
7	CONTACT PIN	COPPER ALLOY	GOLD PLATED
6	MALE INSERT	TPE	YELLOW
5	OVERMOLD	TPE	YELLOW
4	COUPLING	ZINC DIE-CAST	BLACK
3	CONTACT SOCKET	COPPER ALLOY	GOLD PLATED
2	FEMALE INSERT	TPE	YELLOW
1	CABLE, 16AWG, TPE,STOOW	PVC JACKET	YELLOW
ITEM	DESCRIPTION	MATERIAL	FINISH

THIS DRAWING CONTAINS INFORMATION THAT IS PROPRIETARY TO MOLEX ELECTRONIC TECHNOLOGIES, LLC AND SHOULD NOT BE USED WITHOUT WRITTEN PERMISSION

FUNCTIONAL SYMBOLS: FA=0, EC=0, EP=0

DIMENSION UNITS: INCH/MM, SCALE: NTS

GENERAL TOLERANCES (UNLESS SPECIFIED): 4 PLACES ±--- ±---, 3 PLACES ±--- ±---, 2 PLACES ±--- ±---, 1 PLACE ±--- ±---, 0 PLACES ±--- ±---

ANGULAR TOL ± 0.5 °

DRAFT WHERE APPLICABLE MUST REMAIN WITHIN DIMENSIONS

THIRD ANGLE PROJECTION

DRAWING: C-SIZE

SERIES: 139990

CURRENT REV DESC: ITEM# 2, 5 & 6 WERE PVC. ADDED "CSA" IN NOTES. ADDED CABLE DIA. MODIFIED MATERIAL TABLE

EC NO: 643513  
 DRWN: ABENJAMINLW 2020/07/29  
 CHK'D: RSTONE 2020/08/28  
 APPR: BWOODMAN 2020/09/15

INITIAL REVISION:  
 DRWN: RSTONE 2016/11/30  
 APPR: BWOODMAN 2016/12/20

DOCUMENT NUMBER: SD-130011-006

DOC TYPE/DOC PART/REVISION: PSD 001 B

MATERIAL NUMBER: SEE CHART

CUSTOMER: GENERAL MARKET

SHEET NUMBER: 1 OF 1