

PART NO.	ENGINEERING NO.	FINISHED LENGTH
1201080688	E16A03004M010	1.0M [3'3"]
1201080183	E16A03004M020	2.0M [6'7"]
1201080599	E16A03004M030	3.0M [9'10"]
1201080600	E16A03004M050	5.0M [16'5"]
1201080743	E16A03004M100	10.0M [32'10"]

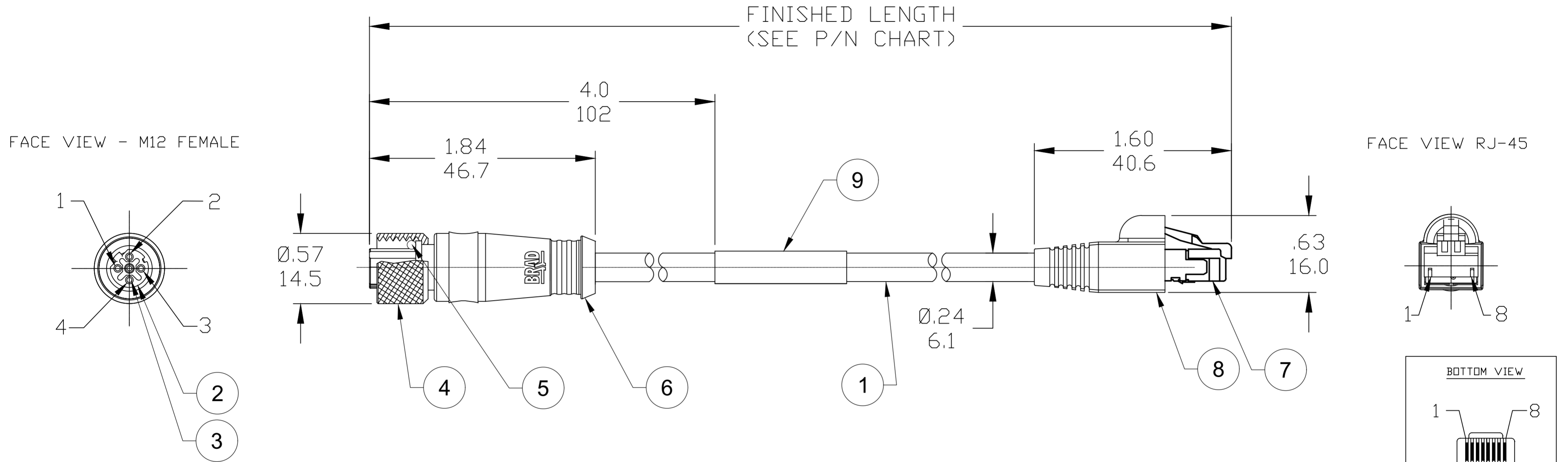
PART NUMBER LEGEND

E16A03004M010

FINISHED LENGTH:
M005= 0.5 METER
M010= 1 METER
M100= 10 METER

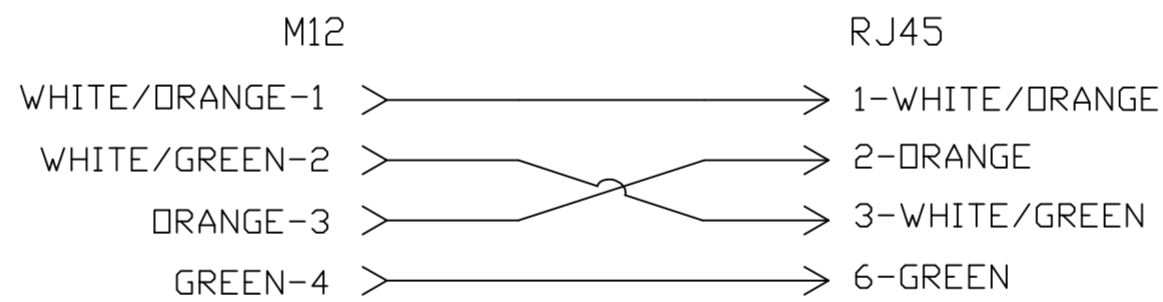
CABLE LENGTH TOLERANCES

>.3M [1FT]	+19mm-0 [+.75in-0]
.3 - .9M [1 - 3FT]	+44.5mm-0 [+1.75in-0]
.9 - 1.8M [3 - 6FT]	+55.6mm-0 [+2.19in-0]
1.8 - 3.7M [6 - 12FT]	+88.9mm-0 [+3.50in-0]
3.7 - 7.3M [12 - 24FT]	+165.1mm-0 [+6.50in-0]
7.3-14.6M [24 - 48FT]	+317.5mm-0 [+12.50in-0]
14.6 - 30.5M [48-100FT]	+622.3mm-0 [+24.50in-0]
OVER 30M [100FT]	+2% OF FINISHED LENGTH



NOTES:

- MATERIAL: AS NOTED
- FINISH: AS NOTED
- ELECTRICAL:
VOLTAGE: 125V
CURRENT: 1.5A
- TEMP RATING: -25°C TO +105°C
- PROTECTION: IP67 (WHEN MATED)
- COUPLING THREAD: M12 X 1.0
- ALL DIMS ARE FOR REFERENCE UNLESS TOLERANCED OR NOTED OTHERWISE



ITEM	DESCRIPTION	MATERIAL	FINISH
9	WRAP LABEL	VINYL	BLACK/YELLOW
8	RJ-45 BOOT	PVC	BLACK
7	RJ-45 PLUG	PC, PHOS-BRNZ	CLEAR, GOLD PLATE CONTACT
6	OVERMOLD	PUR	BLACK
5	O-RING	VITON	RED
4	COUPLING NUT	BRASS	NICKEL PLATED
3	CONTACT SOCKET	COPPER ALLOY	GOLD PLATED
2	FEMALE INSERT, 4P	PUR	BLACK
1	#24-4 TEAL ETHERNET CAT5E	TPE JACKET	TEAL

THIS DRAWING CONTAINS INFORMATION THAT IS PROPRIETARY TO MOLEX ELECTRONIC TECHNOLOGIES, LLC AND SHOULD NOT BE USED WITHOUT WRITTEN PERMISSION

SYMBOLS

▽ = 0	4 PLACES	±----	±----
▽ = 0	3 PLACES	±----	±----
▽ = 0	2 PLACES	±----	±----
▽ = 0	1 PLACE	±----	±----
▽ = 0	0 PLACES	±----	±----
□ = 0	ANGULAR TOL ± ---- °		
■ = 0	DRAFT WHERE APPLICABLE MUST REMAIN WITHIN DIMENSIONS		
▽ = 0	THIRD ANGLE PROJECTION		

DIMENSION UNITS
INCH/MM

SCALE
1:1

CURRENT REV DESC: RELEASED

EC NO: 622338

DRWN: RSTONE 2019/08/13

CHK'D: CCHRSTKA 2019/08/14

APPR: BWOODMAN 2019/08/20

INITIAL REVISION:

DRWN: RSTONE 2019/08/13

APPR: BWOODMAN 2019/08/20

THIRD ANGLE PROJECTION

DRAWING
C-SIZE

SERIES
120108

DOCUMENT NUMBER
1201080183

DOC TYPE
PSD

DOC PART
000

REVISION
A

MATERIAL NUMBER
SEE P/N CHART

CUSTOMER

SHEET NUMBER
1 OF 1

molex

M12/RJ45 CABLE ASSY, 24AWG UNSHLD TPE

PRODUCT CUSTOMER DRAWING