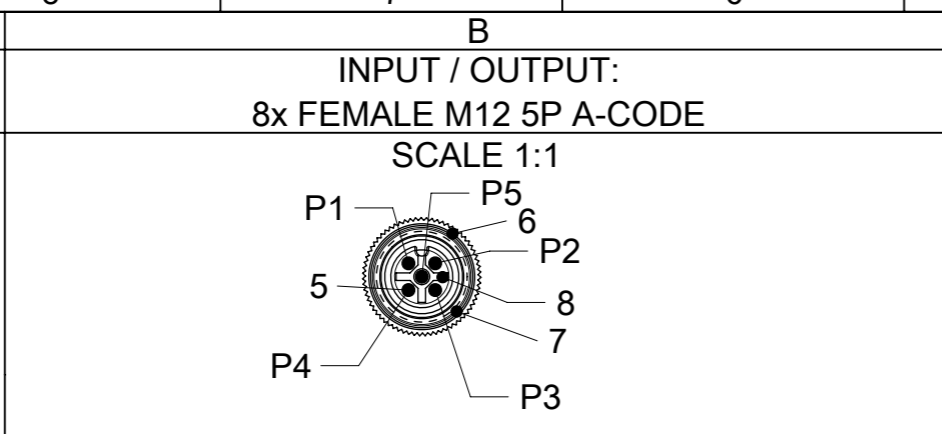
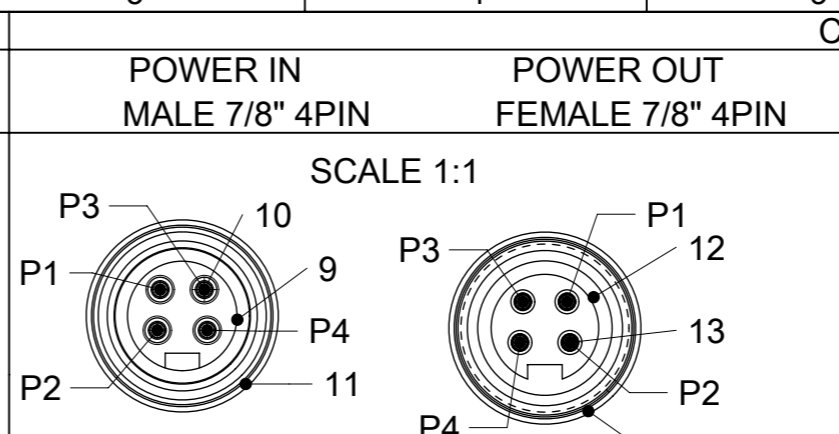


WIRING INFORMATION
P1 TX+
P2 RX+
P3 TX-
P4 RX-

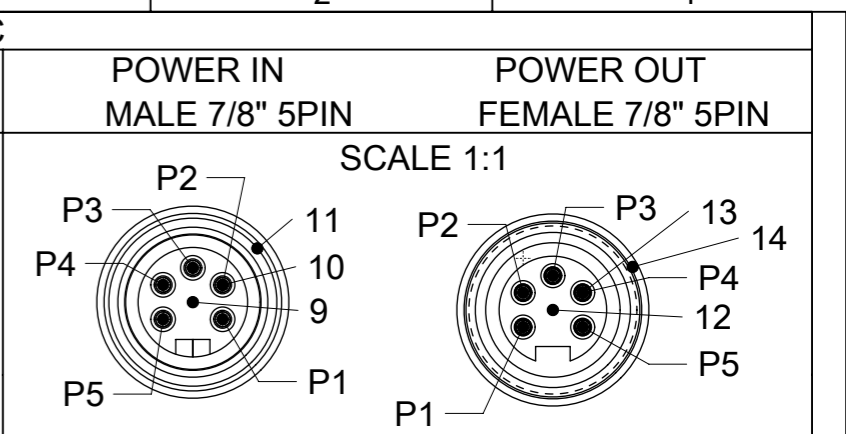


WIRING INFORMATION INPUT
P1 - +24 VDC
P2 - Input (even)
P3 - 0 V (Ground)
P4 - Input (odd)
P5 - PE (Protected Earth)

WIRING INFORMATION OUTPUT
P1 - N/C
P2 - Output (even)
P3 - 0 V (Ground)
P4 - Output (odd)
P5 - PE (Protected Earth)



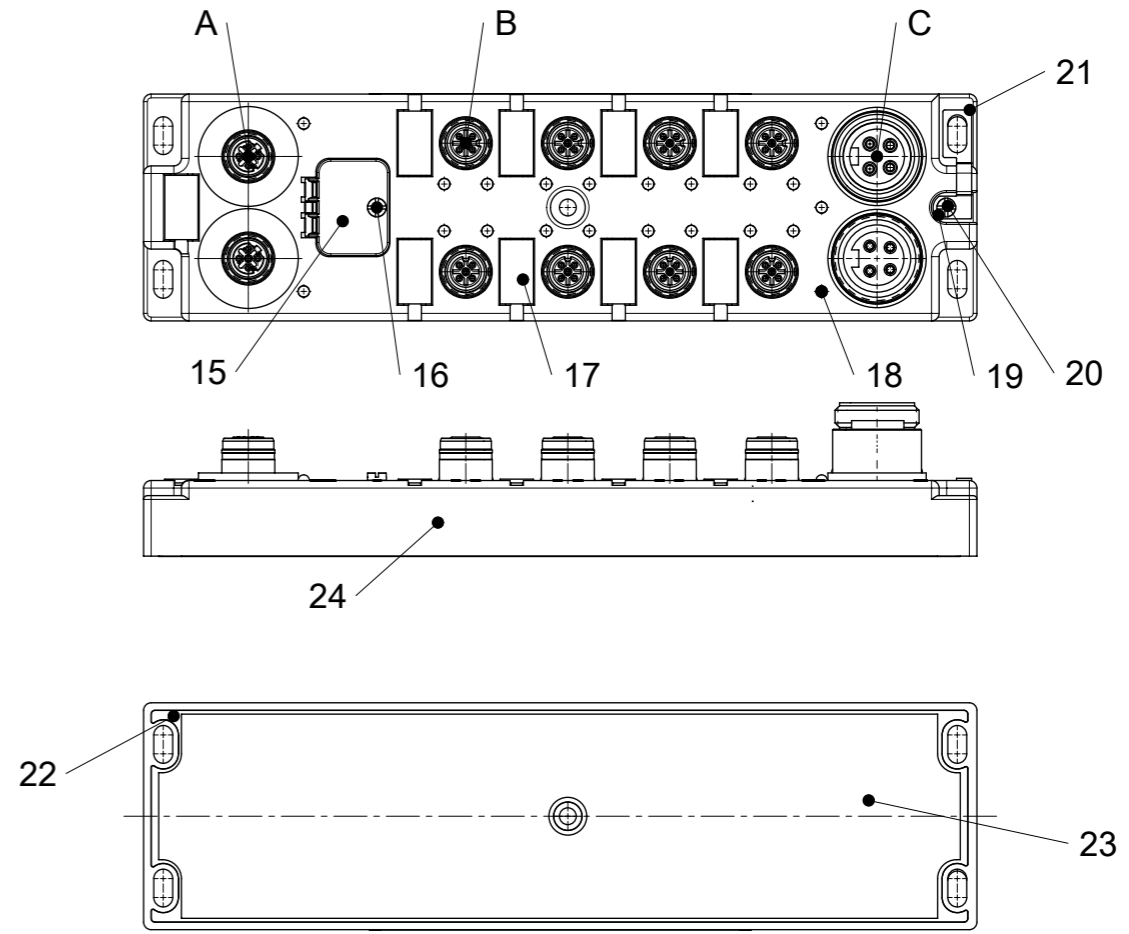
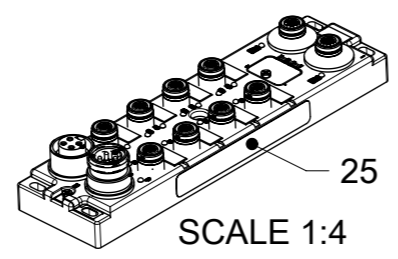
WIRING INFORMATION
P1 - +24 VDC (Outputs Power)
P2 - +24 VDC (Module & Inputs Power)
P3 - 0 V (Module & Inputs Power)
P4 - 0 V (Outputs Power)



WIRING INFORMATION
P1 - 0 V (Outputs Power)
P2 - 0 V (Module & Inputs Power)
P3 - PE (Protected Earth)
P4 - +24 VDC (Module and Inputs Power)
P5 - +24 VDC (Outputs Power)

BILL OF MATERIAL

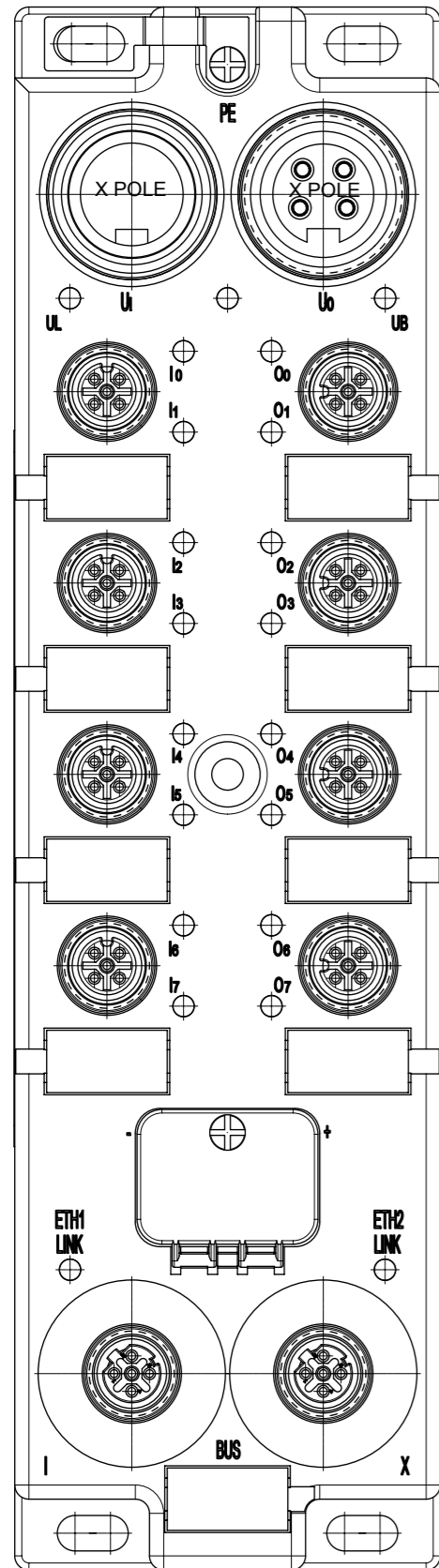
ITEM	DESCRIPTION	MATERIAL	FINISH
1	INSERT	TPU	BLACK
2	CONTACT	COPPER ALLOY	GOLD OVERNICKEL
3	SHELL	BRASS	NICKEL PLATET
4	GASKET	FPM	RED
5	CONTACT	COPPER ALLOY	GOLD OVER NICKEL
6	GASKET	FPM	RED
7	SHELL	BRASS	NICKEL PLATET
8	INSERT	TPU	BLACK
9	INSERT	TPE	YELLOW
10	CONTACT	COPPER ALLOY	GOLD OVERNICKEL
11	SHELL	BRASS	NICKEL PLATET
12	INSERT	TPE	YELLOW
13	CONTACT	COPPER ALLOY	GOLD OVER NICKEL
14	SHELL	BRASS	NICKEL PLATET
15	WINDOW	PC	TRANSPARENT
16	SCREW	V2A	-
17	LABEL	PC	WHITE
18	FIBER OPTIC	PA	TRANSPARENT
19	WASHER	BRASS	NICKEL PLATET
20	SCREW	V2A	-
21	SHIELD PLATE	STAINLESS STEEL	-
22	RESIN	EPOXY	TRANSPARENT
23	LABEL	PVC	WHITE
24	HOUSING	PBT	BLACK
25	LABEL	PVC	YELLOW



SYMBOLS DIMENSION UNITS: mm SCALE: 1:2 GENERAL TOLERANCES (UNLESS SPECIFIED): ANGULAR TOL: ± ° 4 PLACES: ± 3 PLACES: ± 2 PLACES: ± 1 PLACE: ± 0.3 0 PLACES: ± 0.5 DRAFT WHERE APPLICABLE MUST REMAIN WITHIN DIMENSIONS THIRD ANGLE PROJECTION	THIS DRAWING CONTAINS INFORMATION THAT IS PROPRIETARY TO MOLEX ELECTRONIC TECHNOLOGIES, LLC AND SHOULD NOT BE USED WITHOUT WRITTEN PERMISSION CURRENT REV DESC: ADD NEW P/N'S			
	EC NO: 171585 DRWN: RSCHIEBER 2018/01/22 CHK'D: ULETENMEIER 2018/02/01 APPR: RSILLER 2018/02/05			
PRODUCT CUSTOMER DRAWING		DOCUMENT NUMBER: 1120950007		DOC TYPE: PSD
DRWN: ULETENMEIER 2015/01/19 APPR: JALEXANDER 2015/06/25		SERIES: 112095	MATERIAL NUMBER: SEE TABLE 1,2,3,4,5,6	CUSTOMER: GENERAL MARKET
SHEET NUMBER: 2 OF 8				

TABLE 3 8I/8O PRINTING

POWER TYPE	INPUT/OUTPUT	EtherNet/IP		PROFINET		3D MODEL NO.	
		ENG. NO	MOLEX P/N	ENG. NO	MOLEX P/N		
7/8" 5 POLE	PNP	8I/8O	TCDEI-888P-D1U-G	1120955061	TCDEP-888P-D1U-G	1120955050	1120950007 (PDM)
		8I/8O	TCDEI-888P-D1U-G02	1120955142			
		8IN/4M	TCDEI-88MP-D1U-G	1120955118			
7/8" 4 POLE	PNP	8I/8O	TCDEI-888P-DYU-G	1120955041	TCDEP-888P-DYU-G	1120955053	1120950007 (PDM)
			TCDEI-888P-DYU-G01	1120955072			
			TCDEI-888P-DYU-G02	1120955138			

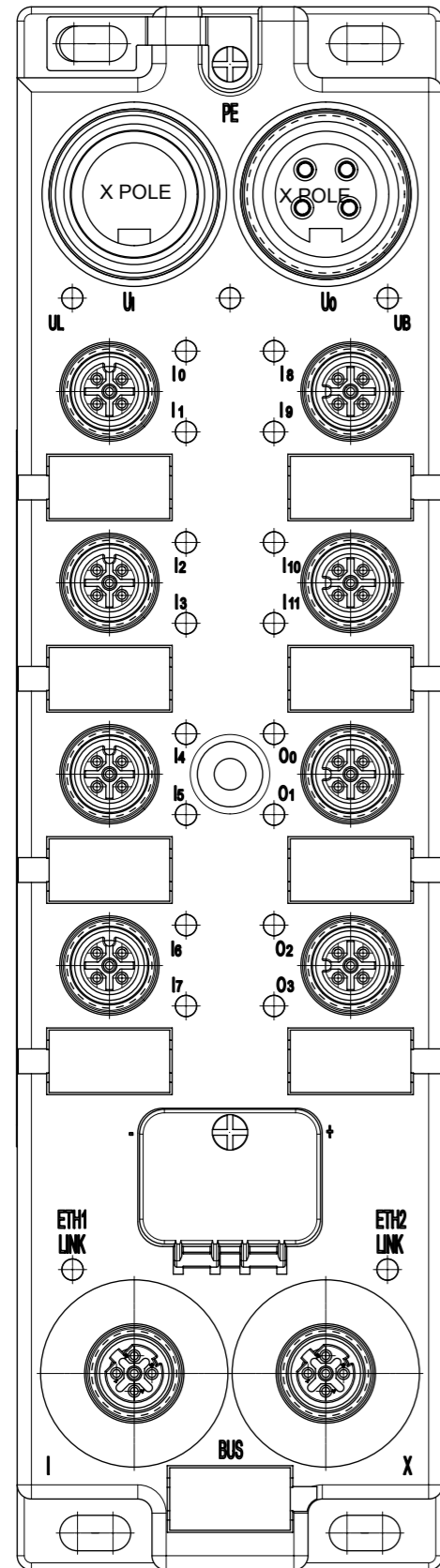


8I/8O IN PRINTING

SYMBOLS	THIS DRAWING CONTAINS INFORMATION THAT IS PROPRIETARY TO MOLEX ELECTRONIC TECHNOLOGIES, LLC AND SHOULD NOT BE USED WITHOUT WRITTEN PERMISSION		CURRENT REV DESC: ADD NEW P/N'S				
	DIMENSION UNITS	SCALE					
▽ = 0	mm	1:1			DBO ETH 60 MM 7/8" 4P/5P AC MA FE U12 5P U12 4P 2PT DC FE		
▽ = 0	GENERAL TOLERANCES (UNLESS SPECIFIED)				PRODUCT CUSTOMER DRAWING		
▽ = 0	ANGULAR TOL ± °				DOCUMENT NUMBER		
▽ = 0	4 PLACES ±		EC NO: 171585		1120950007		
▽ = 0	3 PLACES ±		DRWN: RSCHIEBER 2018/01/22		DOC TYPE DOC PART REVISION		
▽ = 0	2 PLACES ±		CHK'D: ULETTENMEIER 2018/02/01		PSD 000 B		
▽ = 0	1 PLACE ±		APPR: RSILLER 2018/02/05		MATERIAL NUMBER		
▽ = 0	0 PLACES ±		INITIAL REVISION:		CUSTOMER		
▽ = 0	1 PLACE ± 0.3		DRWN: ULETTENMEIER 2015/01/19		GENERAL MARKET		
▽ = 0	0 PLACES ± 0.5		APPR: JALEXANDER 2015/06/25		SHEET NUMBER		
▽ = 0	DRAFT WHERE APPLICABLE MUST REMAIN WITHIN DIMENSIONS		THIRD ANGLE PROJECTION		5 OF 8		
▽ = 0			DRAWING				
▽ = 0			SERIES				
▽ = 0			A3-SIZE				

TABLE 4 12I/4O PRINTING

POWER TYPE	INPUT/OUTPUT	EtherNet/IP		PROFINET		3D MODEL NO.	
		ENG. NO	MOLEX P/N	ENG. NO	MOLEX P/N		
7/8" 5 POLE	PNP	12I/4O	TCDEI-8B4P-D1U-G	1120955063	TCDEP-8B4P-D1U-G	1120955051	1120950007 (PDM)
		12I/4O	TCDEI-8B4P-D1U-G02	1120955143			
7/8" 4 POLE	PNP	12I/4O	TCDEI-8B4P-DYU-G	1120955043	TCDEP-8B4P-DYU-G	1120955054	1120950007 (PDM)
		12I/4O	TCDEI-8B4P-DYU-G01	1120955073			
		12I/4O	TCDEI-8B4P-DYU-G02	1120955139			

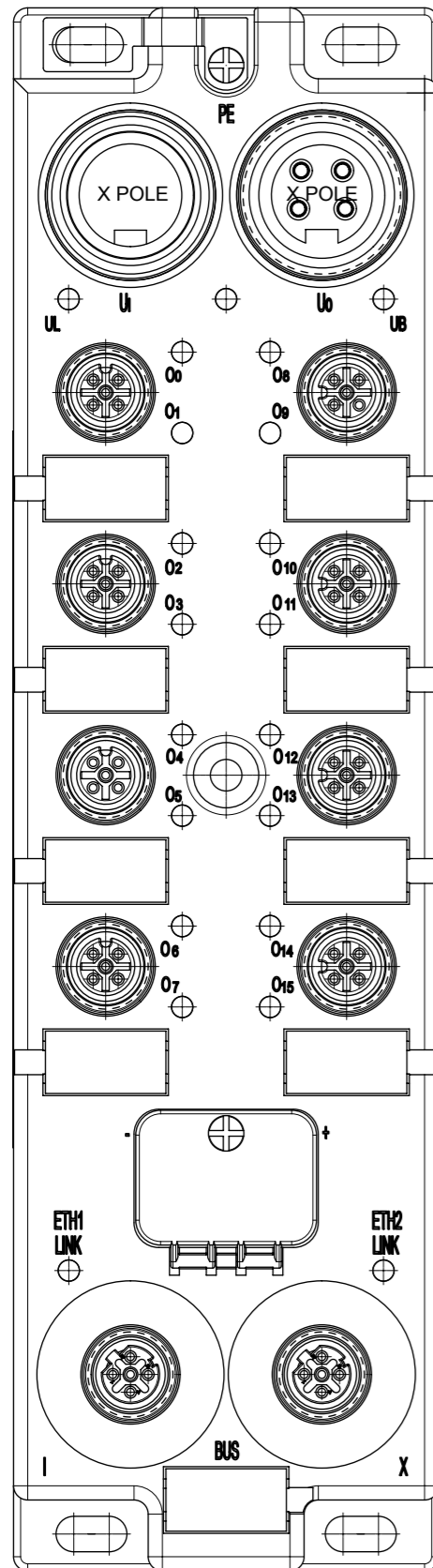


12I/4O PRINTING

SYMBOLS	THIS DRAWING CONTAINS INFORMATION THAT IS PROPRIETARY TO MOLEX ELECTRONIC TECHNOLOGIES, LLC AND SHOULD NOT BE USED WITHOUT WRITTEN PERMISSION		CURRENT REV DESC: ADD NEW P/N'S		molex		
	DIMENSION UNITS	SCALE					
▽ = 0	mm	1:1	EC NO: 171585		PRODUCT CUSTOMER DRAWING		
▽ = 0	GENERAL TOLERANCES (UNLESS SPECIFIED)		DRWN: RSCHIEBER 2018/01/22				
▽ = 0	ANGULAR TOL ± °		CHK'D: ULETTENMEIER 2018/02/01		DOCUMENT NUMBER: 1120950007		
▽ = 0	4 PLACES ±		APPR: RSILLER 2018/02/05				
▽ = 0	3 PLACES ±		INITIAL REVISION:		MATERIAL NUMBER: SEE TABLE 1,2,3,4,5,6		
▽ = 0	2 PLACES ±		DRWN: ULETTENMEIER 2015/01/19				
▽ = 0	1 PLACE ± 0.3		APPR: JALEXANDER 2015/06/25		SHEET NUMBER: 6 OF 8		
▽ = 0	0 PLACES ± 0.5		THIRD ANGLE PROJECTION				
■ = 0	DRAFT WHERE APPLICABLE MUST REMAIN WITHIN DIMENSIONS		DRAWING		DATE: 2017/10/06		
▽ = 0			DRAWING				

TABLE 5 160 PRINTING

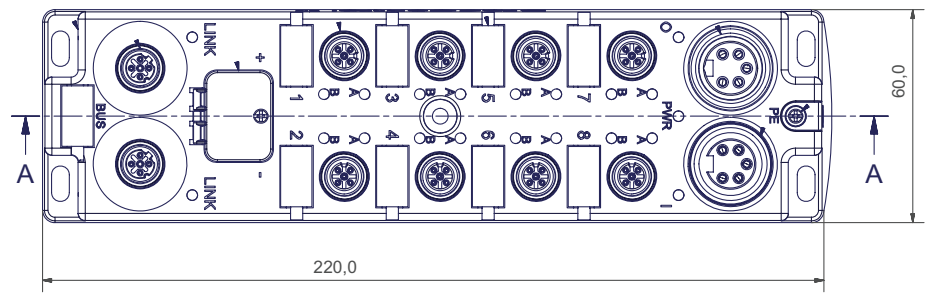
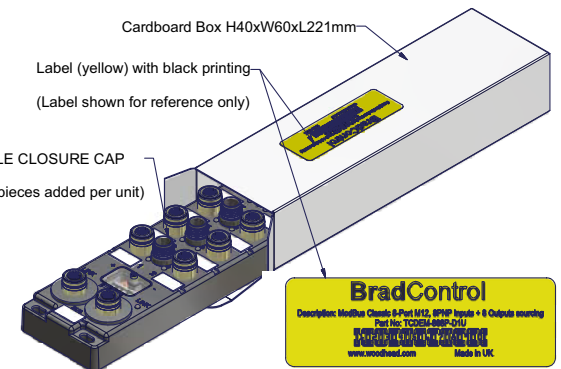
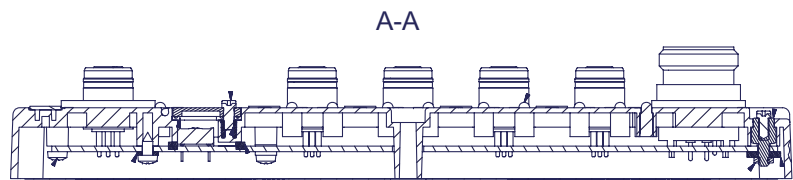
POWER TYPE	INPUT/OUTPUT	EtherNet/IP		PROFINET		3D MODEL NO.	
		ENG. NO	MOLEX P/N	ENG. NO	MOLEX P/N		
7/8" 5 POLE		160	TCDEI-80DP-D1U-G	1120955062	TCDEP-80DP-D1U-G	1120955049	1120950007 (PDM)
		160	TCDEI-80DP-D1U-G02	1120955144			
7/8" 4 POLE	PNP	160	TCDEI-80DP-DYU-G	1120955042	TCDEP-80DP-DYU-G	1120955055	1120950007 (PDM)
		160	TCDEI-80D8-DYU-G01	1120955074			
		160	TCDEI-80DP-DYU-G02	1120955140			



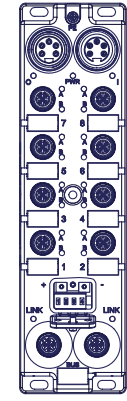
160 PRINTING

SYMBOLS	THIS DRAWING CONTAINS INFORMATION THAT IS PROPRIETARY TO MOLEX ELECTRONIC TECHNOLOGIES, LLC AND SHOULD NOT BE USED WITHOUT WRITTEN PERMISSION		CURRENT REV DESC: ADD NEW P/N'S		molex		
	DIMENSION UNITS	SCALE				DBO ETH 60 MM 7/8" 4P/5P AC MA FE U12 5P U12 4P 2PT DC FE	
▽ = 0	mm	1:1			PRODUCT CUSTOMER DRAWING		
▽ = 0	GENERAL TOLERANCES (UNLESS SPECIFIED)						
▽ = 0	ANGULAR TOL ± °				DOCUMENT NUMBER		
▽ = 0	4 PLACES ±		EC NO: 171585				
▽ = 0	3 PLACES ±		DRWN: RSCHIEBER 2018/01/22		DOC TYPE		
▽ = 0	2 PLACES ±		CHK'D: ULETENMEIER 2018/02/01			DOC PART	
▽ = 0	1 PLACE ± 0.3		APPR: RSILLER 2018/02/05		REVISION		
▽ = 0	0 PLACES ± 0.5		INITIAL REVISION:				
⊠ = 0	DRAFT WHERE APPLICABLE MUST REMAIN WITHIN DIMENSIONS		DRWN: ULETENMEIER 2015/01/19		1120950007		
▽ = 0			APPR: JALEXANDER 2015/06/25				
		THIRD ANGLE PROJECTION	DRAWING	SERIES	MATERIAL NUMBER	CUSTOMER	SHEET NUMBER
			A3-SIZE	112095	SEE TABLE 1,2,3,4,5,6	GENERAL MARKET	7 OF 8

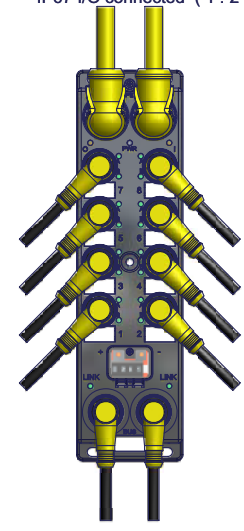
REVISIONSVERLAUF				
ZONE	REV	BEZEICHNUNG	DATUM	GENEHMIGT
-	01	INITIAL RELEASE	12.7.2006	FP



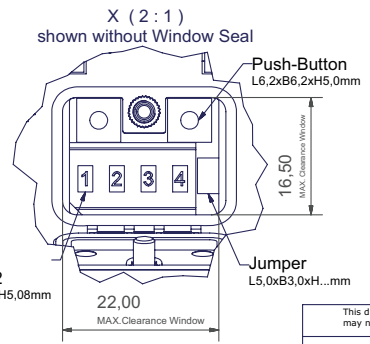
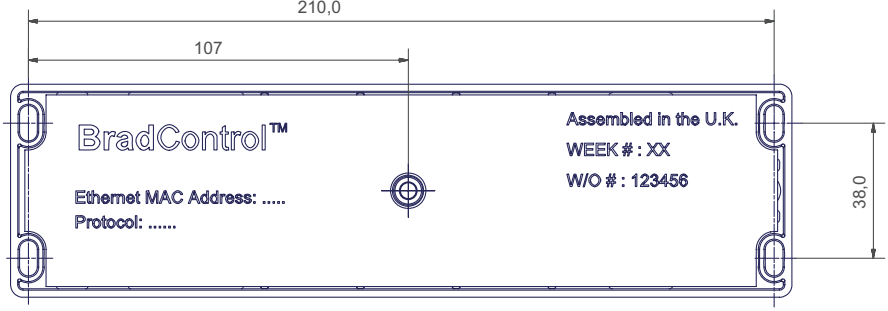
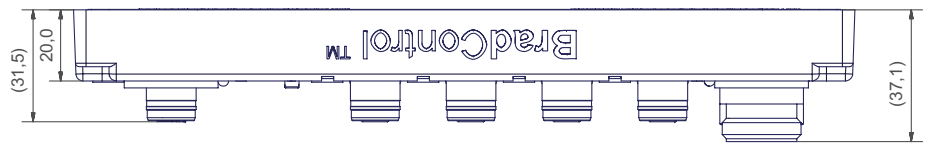
IP67 I/O connected (1:2)
Window open (105°)



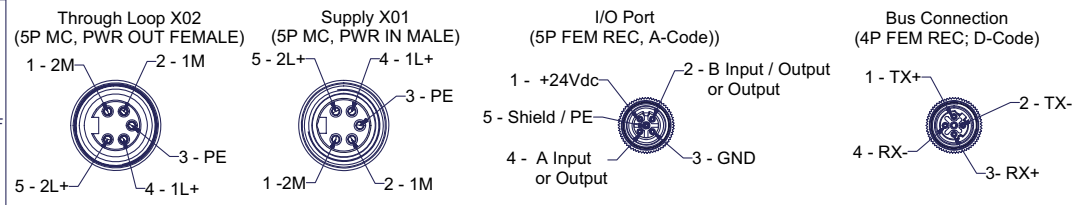
IP67 I/O connected (1:2)



- FINAL PART NUMBERS (Configured Variations):**
- TCDEP-8D0P-D1U 16 inputs PNP
 - TCDEP-8C2P-D1U 14 inputs PNP, 2 outputs sourcing (twin wired)
 - TCDEP-8B4P-D1U 12 inputs PNP, 4 outputs sourcing
 - TCDEP-888P-D1U 8 inputs PNP, 8 outputs sourcing
 - TCDEP-8D0N-D1U 16 inputs NPN
 - TCDEP-8C2N-D1U 14 inputs NPN, 2 outputs sinking (twin wired)
 - TCDEP-8B4N-D1U 12 inputs NPN, 4 outputs sinking
 - TCDEP-888N-D1U 8 inputs NPN, 8 outputs sinking
 - TCDEP-8YYY-D1U 16 User configurable input / output channels



Display
HCMS 2902
L17,78xB10,16xH5,08mm



BOM / Stückliste			
This drawing and its contents are the proprietary and confidential property of Woodhead Industries Inc. and/or its subsidiaries and may not be used or disclosed to others without the express prior written consent of Woodhead Industries Inc. and/or its subsidiaries.			
PROJECTION 1: GER	UNLESS OTHERWISE SPECIFIED x = ±1 XX = ±0,11 XXX = ±0,05 Winkel = 1°	Scale 1>1	Dimensions mm
	Date 12.07.2006	Name	Material
	CHK	FP	Finish
	Norm.		IP67 ProfinetIO CLASSIC DIGITAL - 60MM HSG
	Woodhead Connectivity GmbH		Sheet 1
	Gewerbestraße 60 75015 Bretten-Gölshausen Tel.: 07252/9496-0 Fax: 07252/9496-199		A2
01 SEE REV TABLE	12.07.06	FP	TCDEP-8
Rev. Change	Date	Name	Filename: Y:\CAD\ETHERNET ModBus IP67 I\DRAWINGS\TCDEP-8.dwg