

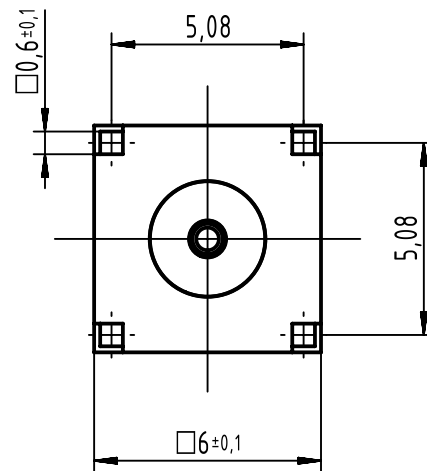
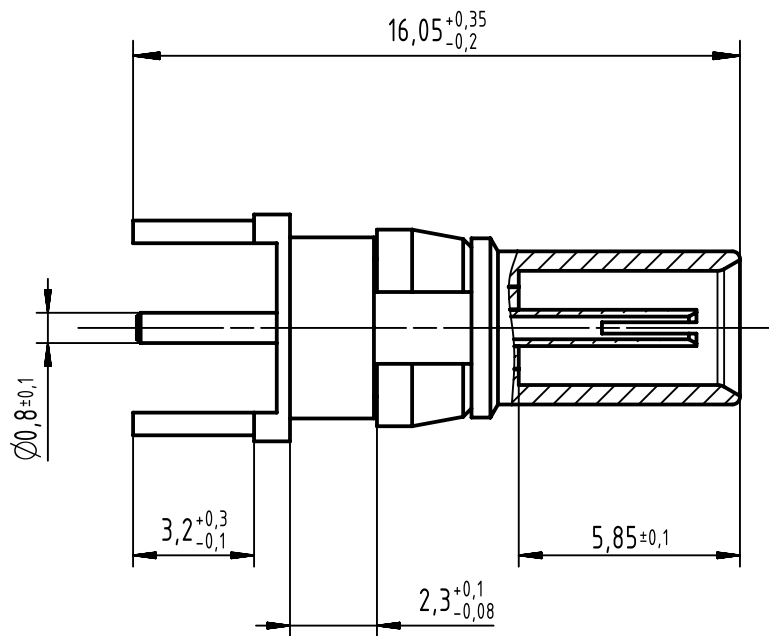
1 2 3 4 5 6

A

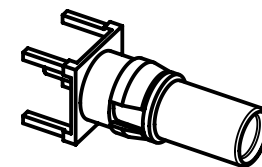
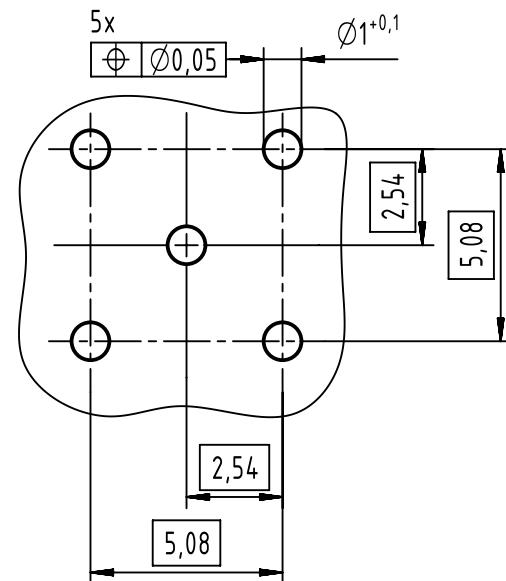
B


C

D



board drillings



	All rights reserved Department EC PD - DE	All Dimensions in mm Original Size DIN A4		Scale 5:1	Free size tol. DIN 41626-2	Ref. Sub. TB 09030006265 500000066725 2013-09-25	
		Created by ELLERMANN	Inspected by DAHMS	Standardisation HOFFMANN	Date 2014-01-30	State Final Release	
HARTING Electronics GmbH D-32339 Espelkamp		Title DIN Signal female contact coax 50 Ohm straight solder				Doc-Key / ECM-Nr. 100549207/UGD/000/B 500000070626	
		Type TB	Number 09030006265			Rev. B	Page 1/1