

10 9 8 7 6 5 4 3 2 1

F

E

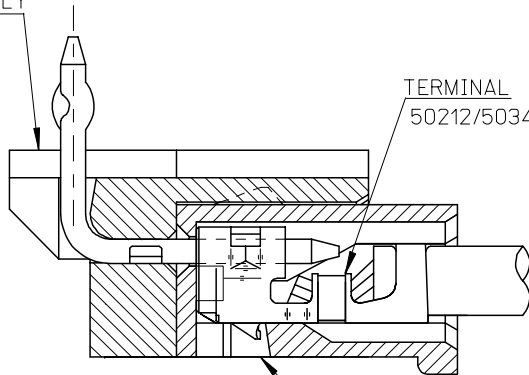
D

C

B

A

HEADER HOUSING ASSEMBLY
53254SERIES

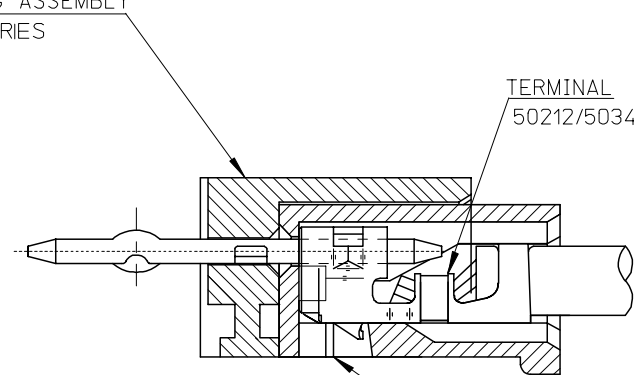


TERMINAL
50212/50346 SERIES

RECEPTACLE HOUSING
51065 SERIES

51065シリーズ/53254シリーズ 嵌合状態図 参考
51065 SERIES/53254 SERIES MATED DRAWING (REF.)

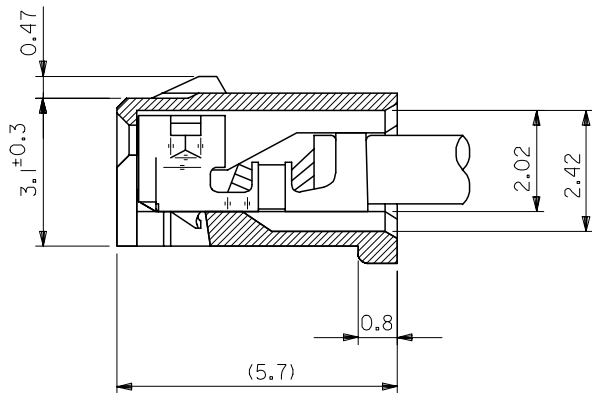
HEADER HOUSING ASSEMBLY
53253SERIES



TERMINAL
50212/50346 SERIES

RECEPTACLE HOUSING
51065 SERIES

51065シリーズ/53253シリーズ 嵌合状態図 参考
51065 SERIES/53253 SERIES MATED DRAWING (REF.)



ターミナル装着状態図
TERMINAL ASS'Y DWG.

RELEASED EC NO: J2008-2041 DRWN: AOYAGI 2007/11/21 CHKD: THARUYAMA 2007/11/22 APPR: NUKITA 2007/11/22	GENERAL TOLERANCES (UNLESS SPECIFIED)		DIMENSION STYLE MM ONLY	SCALE 10:1	DESIGN UNITS METRIC	THIRD ANGLE PROJECTION
	10 UNDER	±0.2	DRAWN BY Y. AOYAGI	DATE 2007/11/13	TITLE NEW 2.0 W/B CONN. 51065/53253OR51065/53254	
	10 OVER 30 UNDER	±0.25	CHECKED BY N. UKITA	DATE 2007/11/13	MOLEX INCORPORATED	
	30 OVER	±0.3	APPROVED BY N. UKITA	DATE 2007/11/13		
	ANGULAR	±1 °	MATERIAL NO.	DOCUMENT NO.	SHEET NO.	SEE TABLE SD-51065-006 1 OF 1
0	DESCRIPTION	DRAFT WHERE APPLICABLE MUST REMAIN WITHIN DIMENSIONS THIS DRAWING CONTAINS INFORMATION THAT IS PROPRIETARY TO MOLEX INCORPORATED AND SHOULD NOT BE USED WITHOUT WRITTEN PERMISSION				

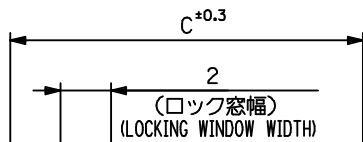
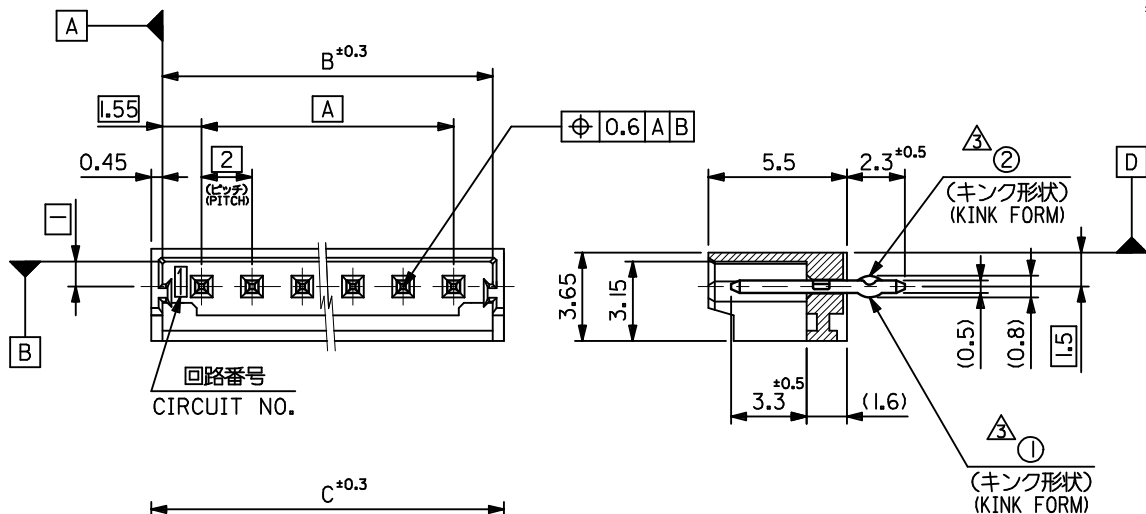
注記 NOTES

1. 嵌合相手：51065 シリーズ
MATE WITH : 51065 SERIES
2. 材質
MATERIAL
ウエハー：ポリアミド、UL94V-0 色：ナチュラル(白)
WAFER : POLYAMIDE, UL94V-0 COLOR: NATURAL (WHITE)
ピン : 黄銅、スズメッキ
PIN : BRASS, TIN

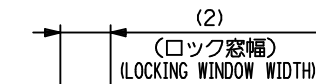
△ キングは下記表の位置及び形状に付加のこと。2極はキング無し。
KINK TO BE APPLIED AS FOLLOWS, 2 CIRCUIT HAS NO KINK.

極数 CKT	回路番号 CKT NO.	回路番号							
		1	2	3	4	5	N-2	N-1	N
6極以上	MORE THAN 6 CKT	—	①	②	—	—	②	①	—
5極	5 CKT	①	②	—	②	①			
4極	4 CKT	①	②	②	①				
3極	3 CKT	①	②	①					

4. 本製品は 53253 **20 の鉛フリー品である。
THIS PRODUCT IS LEAD FREE OF 53253-**-20.

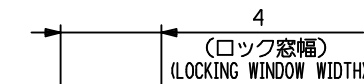


ウエハー
WAFER



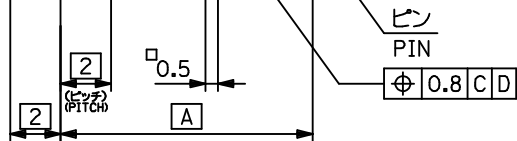
2極の場合

IN CASE OF 2 CIRCUIT WAFER

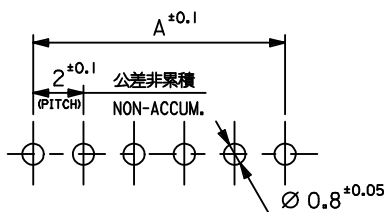


3極の場合

IN CASE OF 3 CIRCUIT WAFER



ピン
PIN



基板取付穴寸法 (参考) (t=1.0)

RECOMMENDED P.C. BOARD HOLE DIM. (REFERENCE)

32	31.1	28	53253 1580	15	
30	29.1	26	4	1480	14
28	27.1	24	4	1380	13
26	25.1	22		1280	12
24	23.1	20		1180	11
22	21.1	18		1080	10
20	19.1	16		0980	9
18	17.1	14		0880	8
16	15.1	12		0780	7
14	13.1	10		0680	6
12	11.1	8		0580	5
10	9.1	6		0480	4
8	7.1	4		0380	3

53253**80	6	5.1	2	53253 0280	2
MODEL NO.	C	B	A	MATERIAL NO.	CKT. 極数

REVISED EC NO: J2012-0969 DRWN:KAWASHIO 2012/01/19 CHKD:KASAKAWA 2013/07/05 APPR:NIKIITA 2013/07/08 REV A	DESCRIPTION	GENERAL TOLERANCES (UNLESS SPECIFIED)		DIMENSION STYLE MM ONLY		SCALE 5:1	DESIGN UNITS METRIC	THIRD ANGLE PROJECTION	
		10 UNDER	±0.2	DRAWN BY M. NABE I	DATE 2004/06/11	TITLE NEW 2.0 W/B CONN WAFER ASSY (ST) -LEAD FREE-			
		10 OVER 30 UNDER	±0.25	CHECKED BY K. TOJO	DATE 2004/06/11				
		30 OVER	±0.3	APPROVED BY	DATE				
ANGULAR ±3 °		DRAFT WHERE APPLICABLE MUST REMAIN WITHIN DIMENSIONS		MATERIAL NO. SEE CHART		DOCUMENT NO. SD-53253-003		SHEET NO. 1 OF 1	
THIS DRAWING CONTAINS INFORMATION THAT IS PROPRIETARY TO MOLEX INCORPORATED AND SHOULD NOT BE USED WITHOUT WRITTEN PERMISSION									