

PLUG

M	3	M		
J	2	J		
M	1	MI		
MFG.	SH.	REV.	LTR.	REVISIONS
MI				ADD RAMP LENGTH ECN #U4 0293 3-1-94 RW
M				REVISED PER ECR # U90659 KBW 07-25-89 RW
L				ADDED STANDOFFS PER ECR U8 2271 GEP 11-30-88 RW
K				REV. & FINAL REL. ECR U8 1710 GEP 7-14-88 RW
J				REVISED & REDRAWN PER ECR U8 0122 2-2-88 SCHAFFER

DIMENSIONS SHOWN (METRIC) INCH	
UNLESS OTHERWISE SPECIFIED TOLERANCES: ANGULAR ± 10°	
3 PLACE	± .010 ---
2 PLACE	± .014 ± 0.25
1 PLACE	--- ± 0.36
DRAFT WHERE APPLICABLE MUST REMAIN WITHIN DIMENSIONS	

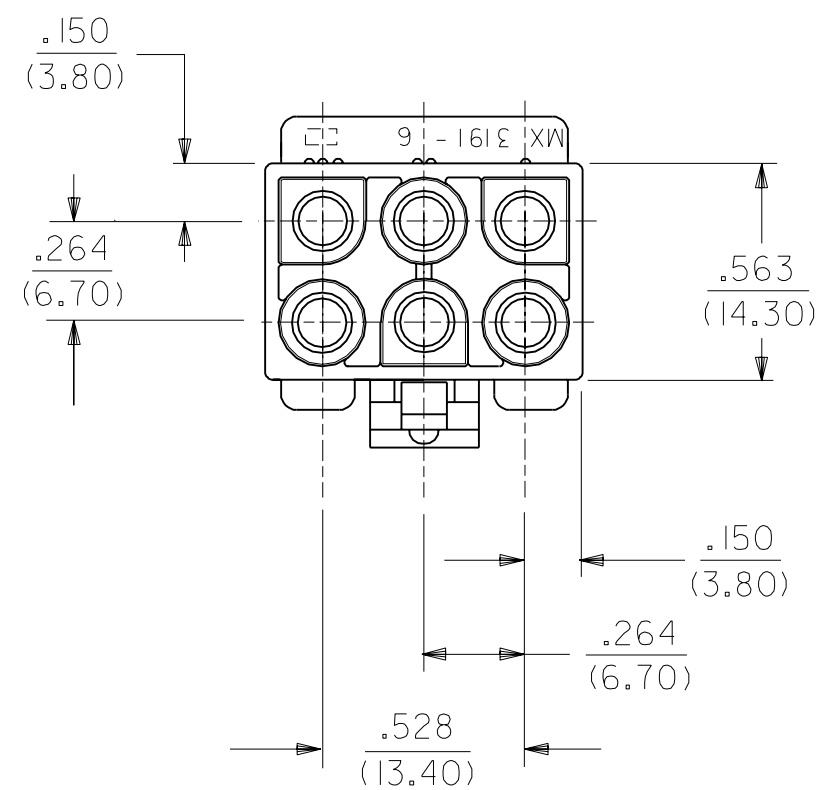
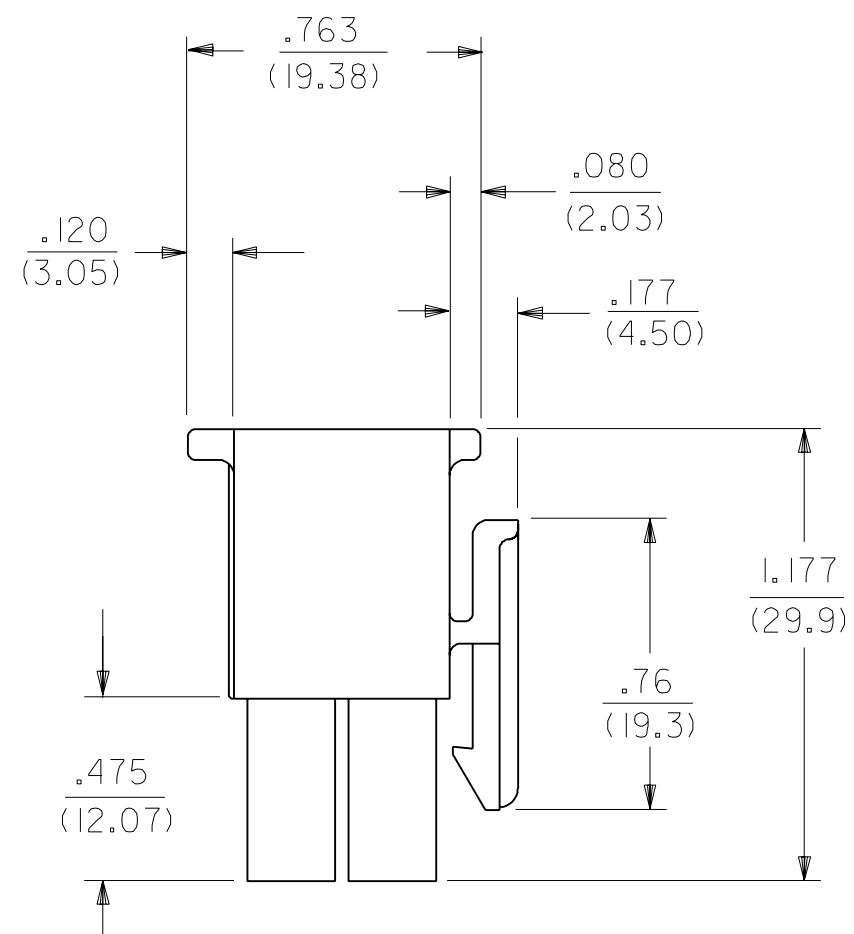
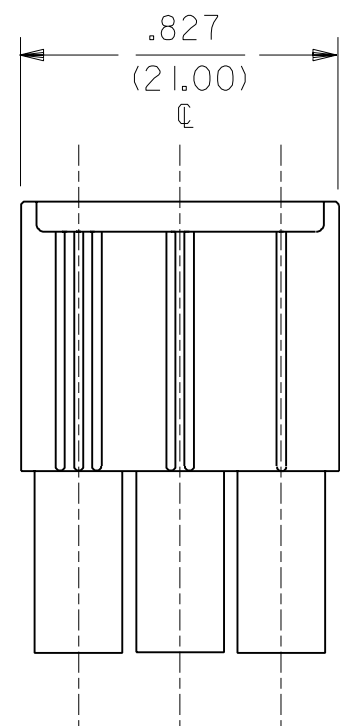
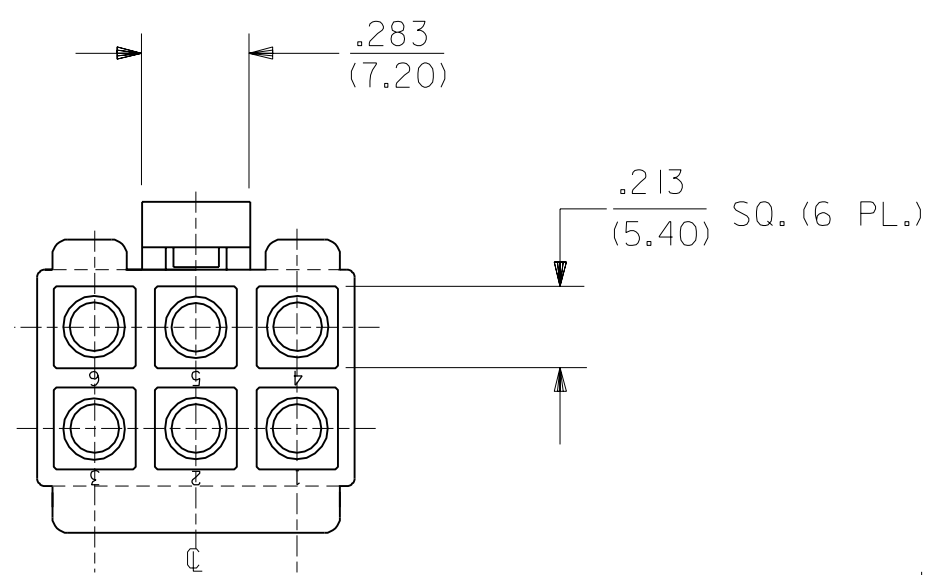
▽ = 0	▼ = 0	REVISE ONLY ON CAD SYSTEM
TITLE .093/(2.36) HOUSING PLUG AND RECEPTACLE 6 CKT. .264/(6.70) CTRS.		
MOLEX INCORPORATED LITLLE, ILL. 60532 U.S.A.		SHEET NO. 1 OF 3 DATE 1/25/88
PART NO. SD-3191-6*		DRWG. NO.

DRWG. BY: JUS	CHK'D. BY: RW
APP'D. BY: RAS	SCALE: 2 : 1

FILE NAME: S31916X1 DGN	THIS DRAWING CONTAINS INFORMATION THAT IS PROPRIETARY TO MOLEX INC. AND SHOULD NOT BE USED WITHOUT WRITTEN PERMISSION.	DIV. CP	SIZE C
-------------------------	--	---------	--------

13 12 11 10 9 8 7 6 3191 4 3 2 1

J
I
H
G
F
E
D
C
B
A



RECEPTACLE

LTR.	REVISIONS	LTR.	REVISIONS
		J	SEE SHT 1

DIMENSIONS SHOWN (METRIC) INCH	
UNLESS OTHERWISE SPECIFIED TOLERANCES: ANGULAR ± 10°	
INCH	METRIC
3 PLACE ± .010	---
2 PLACE ± .014	± 0.25
1 PLACE ---	± 0.36

DRAFT WHERE APPLICABLE MUST REMAIN WITHIN DIMENSIONS

▽ = ▼ = REVISE ONLY ON CAD SYSTEM

TITLE
 .093/(2.36) HOUSING
 PLUG AND RECEPTACLE
 6 CIRCUIT, .264/(6.70)CTRS

MOLEX MOLEX INCORPORATED SHEET NO. 2 DATE 1/22/88
 LISLE, ILL. 60532 U.S.A.

PART NO. SEE SHEET 3 DRWG. NO. SD-3191-6*

DRWG. BY JJS CHK'D. BY RW
 APP'D. BY RAS SCALE 2:1

FILE NAME S31916 X2 THIS DRAWING CONTAINS INFORMATION THAT IS PROPRIETARY TO MOLEX INC. AND SHOULD NOT BE USED WITHOUT WRITTEN PERMISSION. DIV. C

13 12 11 10 9 8 7 6 5 4 3 2 1

13

12

11

10

9

8

7

6

3191

4

3

2

1

PLUG

RECEPTACLE

PART NO. ENG. NO.

PART NO. ENG. NO.

19-09-2068	3191-6P
19-09-2069	3191-6PI
19-09-2067	3191-6P-201
19-09-2066	3191-6PI-201
19-09-7069	3191-6PRD
19-09-7068	3191-6PBK

19-09-1069	3191-6RI
19-09-1066	3191-6RI-201
19-09-6060	3191-6RIRD
19-09-6069	3191-6RIBK

LEGEND:

3191-6****-*

CIRCUIT SIZE →

P = PLUG

R = RECEPTACLE

EARS: BLANK = WITH PREBENT EARS (PLUG ONLY)

I = WITHOUT EARS

COLOR: BLANK = NATURAL COLOR

AM=AMBER BK=BLACK BU=BLUE

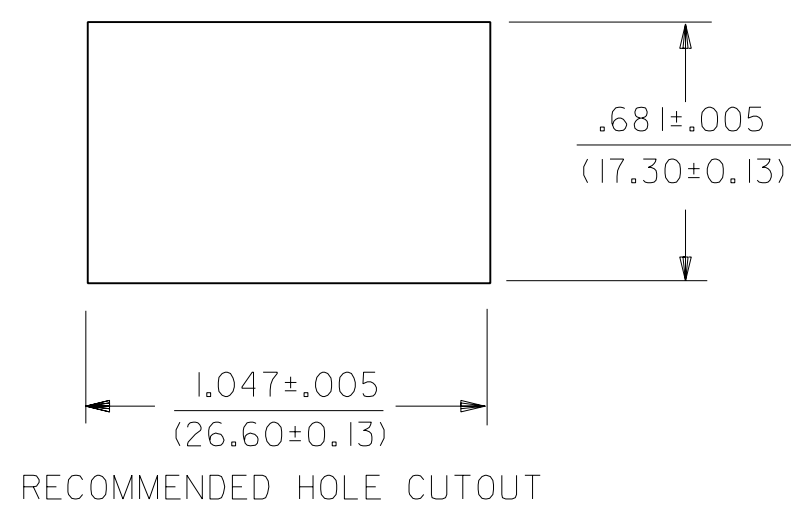
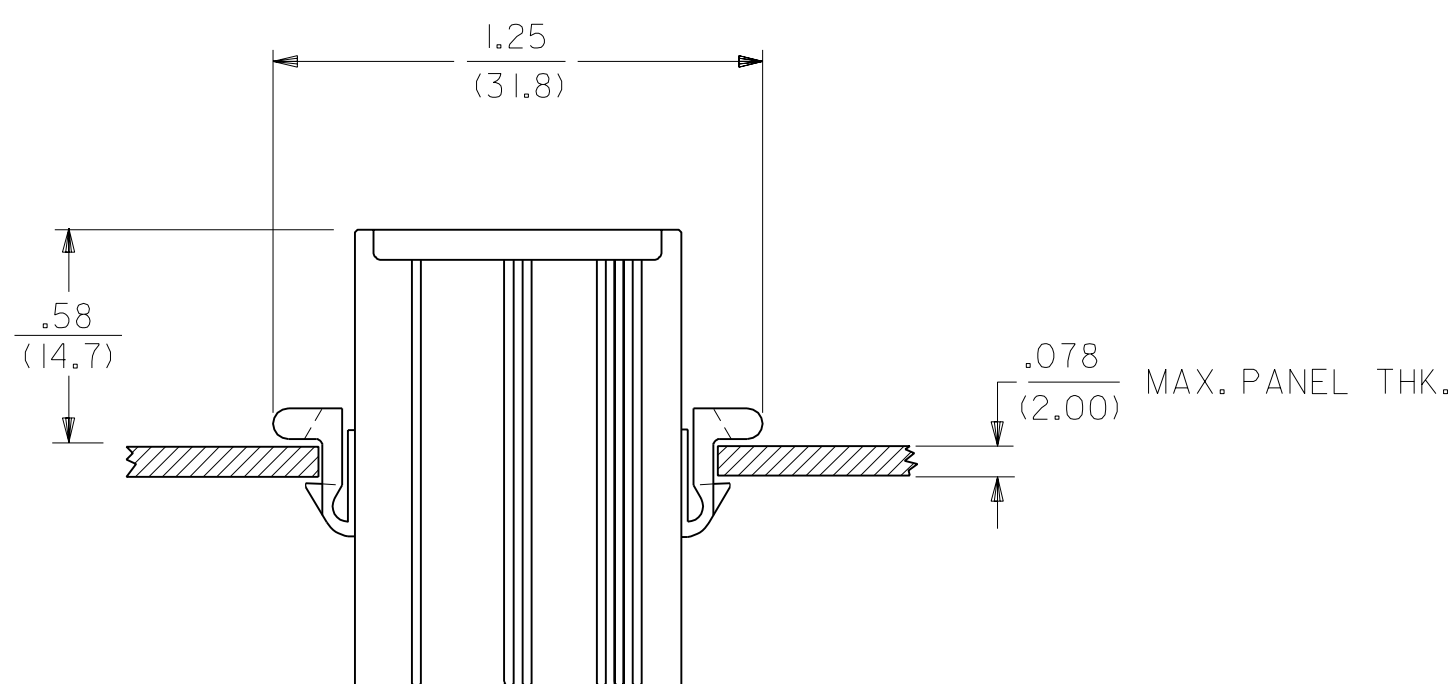
BN=BROWN GY=GRAY GN=GREEN

OR=ORANGE RD=RED YW=YELLOW

COLORS AVAILABLE ONLY IN 94V-2 MATERIAL

MATERIAL: BLANK=NYLON TYPE 6/6, 94V-2

201=NYLON TYPE 6/6, 94V-0



MOUNTING HOLE DETAIL

DIMENSIONS SHOWN (METRIC) INCH		
UNLESS OTHERWISE SPECIFIED TOLERANCES: ANGULAR ± 10°		
	INCH	METRIC
3 PLACE	± .010	---
2 PLACE	± .014	± 0.25
1 PLACE	---	± 0.36

DRAFT WHERE APPLICABLE MUST REMAIN WITHIN DIMENSIONS

DRWG. BY	JJS	CHK'D. BY	RW
APP'D. BY	RAS	SCALE	---

LTR.	REVISIONS	LTR.	REVISIONS

▽ =	▼ =	REVISE ONLY ON CAD SYSTEM	
TITLE			
.093/(2.36) HOUSINGS			
PLUG AND RECEPTACLE			
6 CKT., .264/(6.70) CTRS.			
MOLEX INCORPORATED		SHEET NO.	DATE
LISLE, ILL. 60532 U.S.A.		3	1/22/88
PART NO.		DRWG. NO.	
SEE CHART		SD-3191-6*	
FILE NAME	THIS DRAWING CONTAINS INFORMATION THAT IS PROPRIETARY TO MOLEX INC. AND SHOULD NOT BE USED WITHOUT WRITTEN PERMISSION.		SIZE
S31916X3 DGN			CP C

3191

13

12

11

10

9

8

7

6

5

4

3

2

1