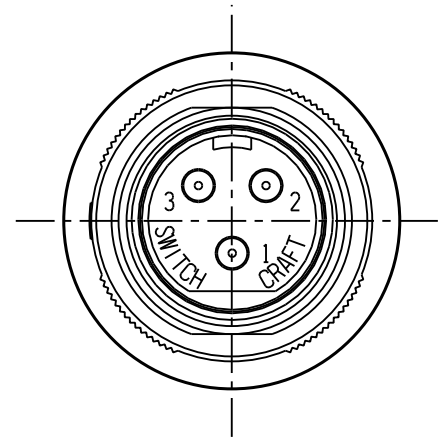
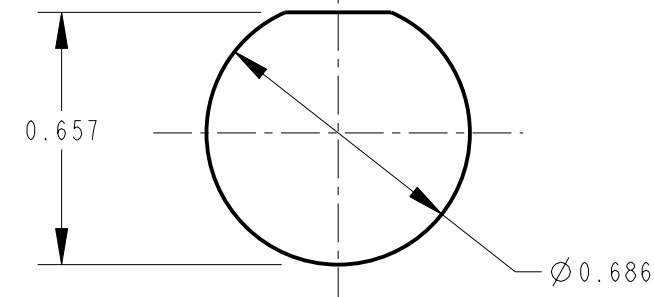


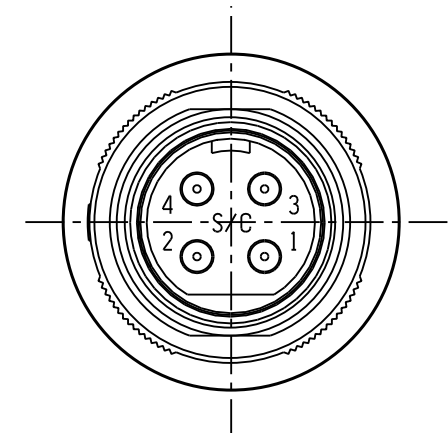
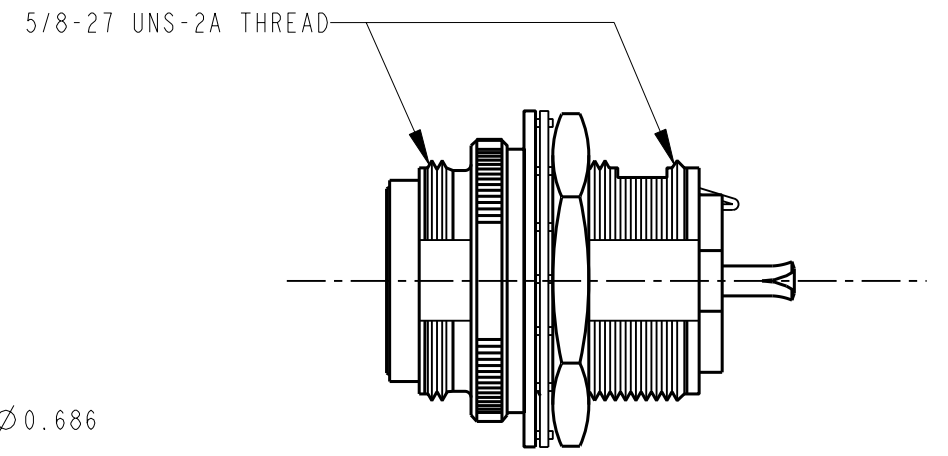
**SL182MX
2 PIN**



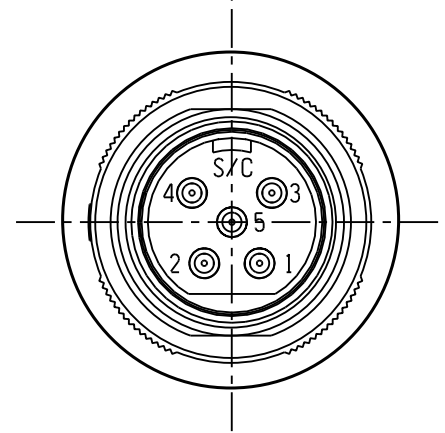
**SL183MX
3 PIN**



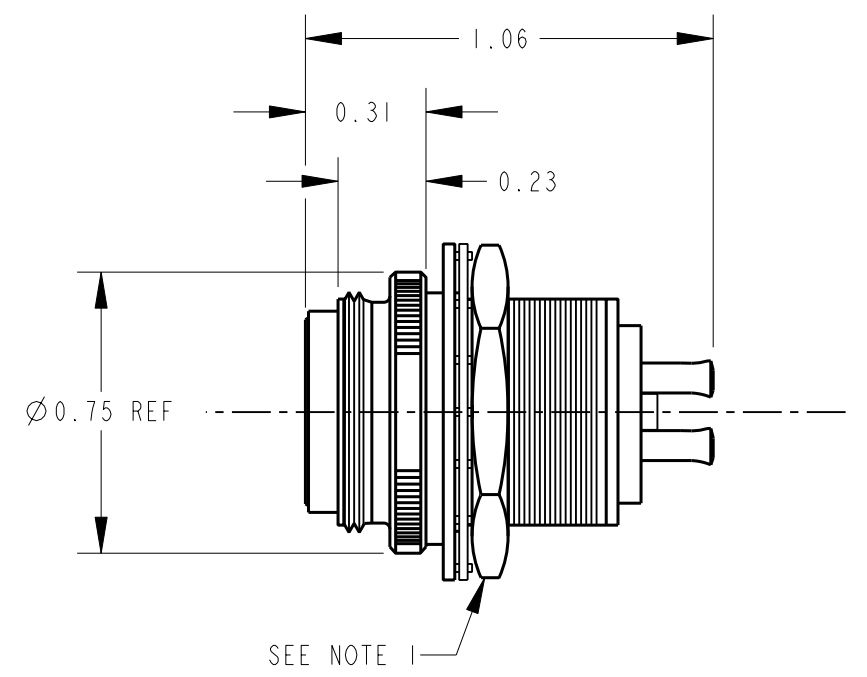
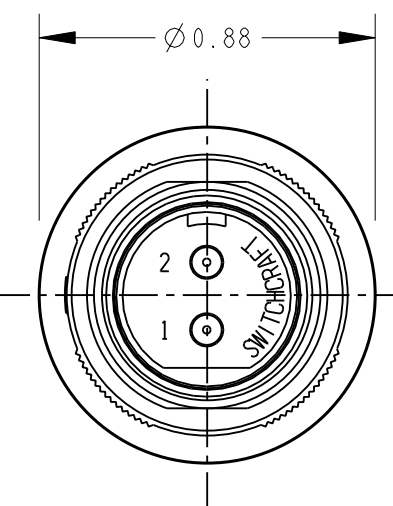
RECOMMENDED
MOUNTING HOLE LAYOUT



**SL184MX
4 PIN**



**SL185MX
5 PIN**



SEE NOTE 1

CUSTOMER DRAWING

NOTES:

- HOUSING AND PIN ASSEMBLY SHIPPED UNASSEMBLED.
- HEX NUT AND WASHERS SHIPPED UNASSEMBLED.
- MATERIALS:
HOUSING - ZINC, NICKEL PLATED
INSERT - THERMOPLASTIC, BLACK
CONTACTS - COPPER ALLOY, SILVER PLATED
LATCH & WASHERS - STEEL, NICKEL PLATED
HEX NUT - COPPER ALLOY, NICKEL PLATED
- THESE PRODUCTS ARE RoHS COMPLIANT.

REV	ECO NUMBER	DATE	BY	APVD
C	27214	10-28-13	TO	TJK
B	27066	12-12-12	TO	TJK
A	26150	11-30-06	TJK	TJK
REVISIONS				

★ STAR SYMBOL DENOTES CRITICAL DIMENSION

UNLESS OTHERWISE SPECIFIED

- ALL DIMENSIONS IN INCHES
- TWO PLACE DECIMALS ±0.01
- THREE PLACE DECIMALS ±0.005
- ANGLES ±1°
- ALL DIA. CONCENTRIC WITHIN 0.005 T.I.R.
- FEATURES ON THE SAME CENTERLINE MUST BE ALIGNED WITHIN ±0.002
- REMOVE ALL BURRS

DO NOT SCALE DRAWING

THIS DRAWING DESCRIBES A DESIGN CONSIDERED PROPRIETARY IN NATURE, DEVELOPED AND MANUFACTURED BY SWITCHCRAFT INC. AND IS RELEASED ON A CONFIDENTIAL BASIS FOR IDENTIFICATION PURPOSES ONLY.				
SIZE	WIDTH	MULT	LBS/M	TEMPER
FINISH		MATERIAL		
SPEC No.		SPEC No.		
FIRST USED ON		SCALE		
		2:1		
DATE DRAWN	BY	CHKD	APVD	
30-Nov-06	TJK	TJK	TJK	
		11-30-06	11-30-06	
NAME			PART No.	REV
SLIM-LINE MALE FRONT			SL18_MX SERIES	C
PANEL MOUNT RECEPTACLE, RoHS				

