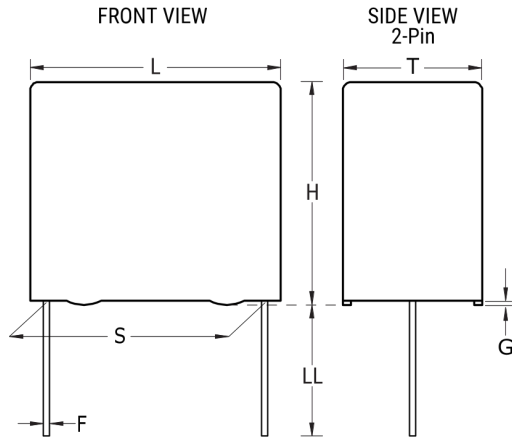


## F461RD565K400Z

Not for New Design

F461, Film, Metallized Polypropylene, General Purpose, 5.6 uF, 10%, 400 VDC, 85°C, Lead Spacing = 37.5mm



Click [here](#) for the 3D model.

### Dimensions

L	41mm -0.7mm
H	32mm -0.7mm
T	19mm -0.7mm
S	37.5mm +/-0.5mm
LL	4mm +2mm
F	1mm +/-0.05mm
G	0.5mm NOM

### Packaging Specifications

Packaging	Pizza, Box
Packaging Quantity	119

### General Information

Series	F461
Dielectric	Metallized Polypropylene
Style	Radial
Features	MKP, Pulse
RoHS	Yes
Lead	Cut/Short
AEC-Q200	No
Component Weight	28 g
Miscellaneous	The Rated Voltage Decreases 2%/C Between +85C And +105C (1.25%/C For AC). ClimCat: 55/105/56.
Notes	Series Replaced by R75.

### Specifications

Capacitance	5.6 uF
Capacitance Tolerance	10%
Voltage AC	220 VAC
Voltage DC	400 VDC, 240 VDC (105C)
Temperature Range	-55/+105°C
Rated Temperature	85°C
Dissipation Factor	0.1% 1kHz
Insulation Resistance	5.357 GOhms
Max dV/dt	70 V/us
Inductance	6 nH