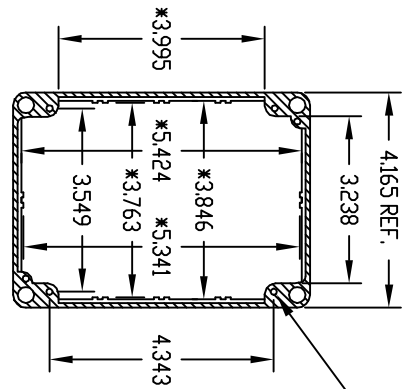


PART NAME

NEMA 4 ENCLOSURE

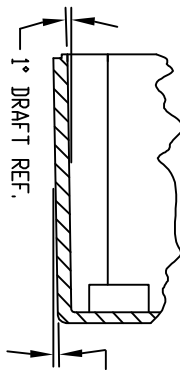
PART No.

AN-1305 & AN-1305-G

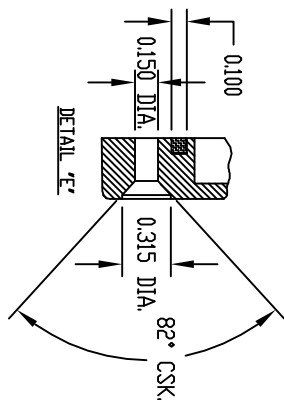


SECTION 'C-C'  
 \* DIMENSIONS ARE AT  
 BOTTOM OF ENCLOSURE

0.125 DIA. x 0.250 DEEP  
 (4) HOLES  
 ACCEPTS EITHER M3.5 METRIC  
 OR #6 STD. SHEET METAL  
 SCREWS x 0.250" LG.  
 (NOT SUPPLIED)

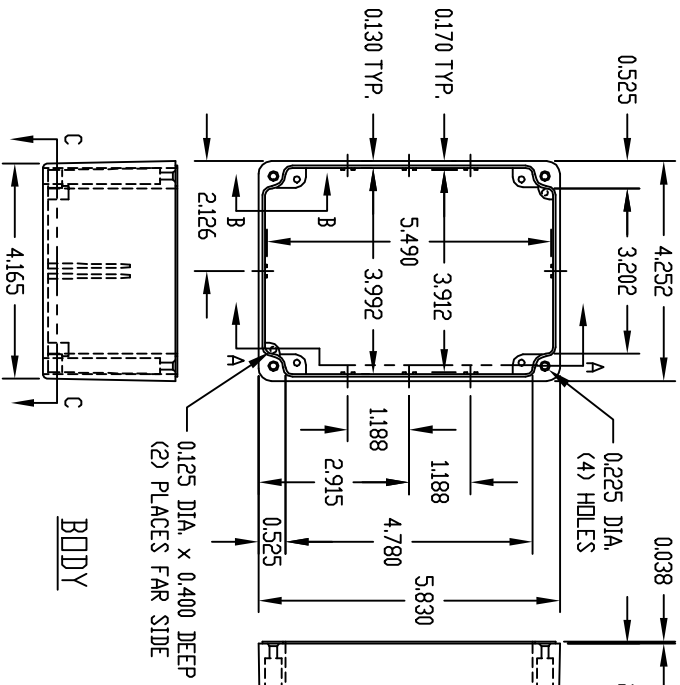


SECTION 'B-B'



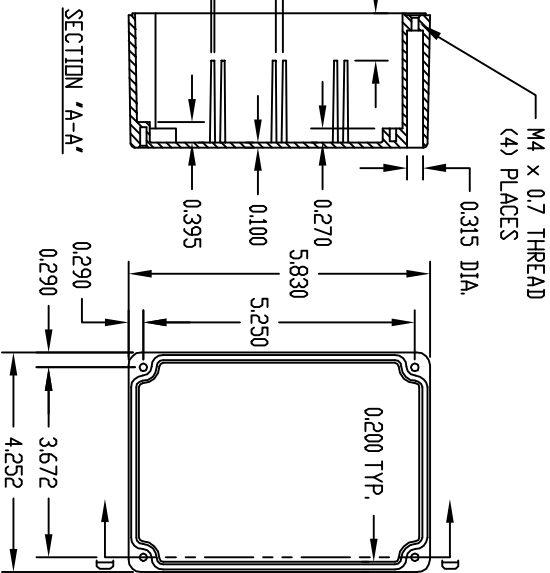
DETAIL 'E'

MATERIAL: ALUMINUM ALLOY #A380  
 FINISH: NATURAL (NO SUFFIX)  
 GRAY (SUFFIX -G)  
 FOUR (4) M4 x 20mm (0.787") LG. SCREWS  
 SUPPLIED FOR ASSEMBLY.  
 TWO (2) M3.5 x 6mm LG. NICKEL PLATED  
 SCREWS AND WASHERS SUPPLIED FOR  
 GROUNDING  
 ALL DIMENSIONS HAVE ±0.015 TOLERANCE  
 UNLESS OTHERWISE SPECIFIED



0.125 DIA. x 0.400 DEEP  
 (2) PLACES FAR SIDE

BODY



SECTION 'D-D'  
 SEE DETAIL 'E'

COVER

NEDPRENE  
 GASKET  
 (WHITE)