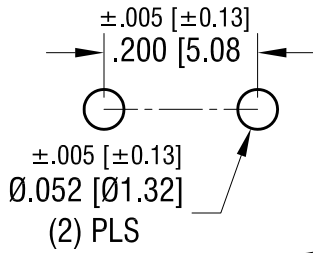
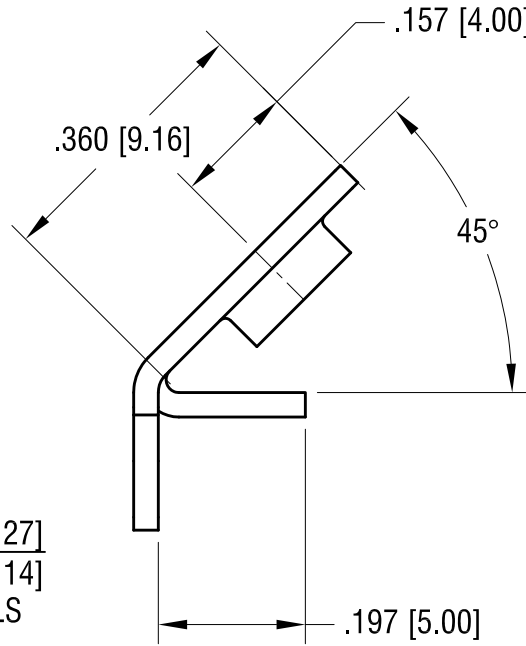
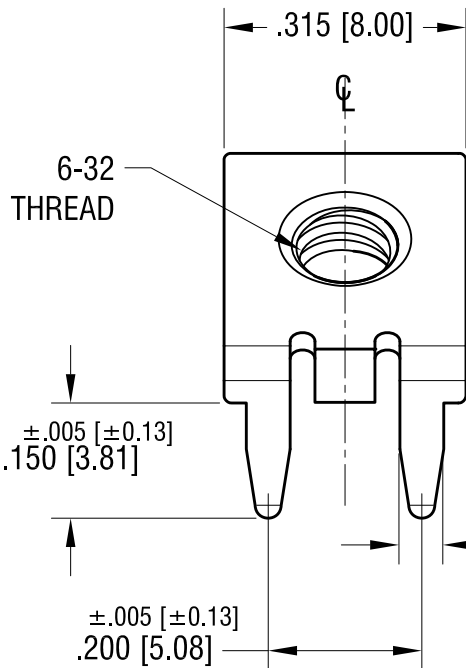
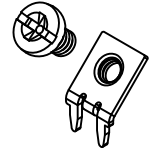


**MOUNTING DETAIL**



THIS DOCUMENT IS THE PROPERTY OF  
 KEYSTONE ELECTRONICS CORP. AND  
 SHALL NOT BE REPRODUCED, DISTRIBUTED  
 OR USED AS A BASIS FOR MANUFACTURE  
 WITHOUT PRIOR WRITTEN PERMISSION  
 FROM KEYSTONE ELECTRONICS CORP.

**ACTUAL SIZE**



.050 [1.27]  
 .045 [1.14]  
 (2) PLS

**NOTE:**

1. TERMINAL:  
 MAT'L - .032 [0.81] TH'K BRASS, TIN PLATE
2. SCREW : 6-32 TH'D x 1/4 L.  
 MAT'L - BRASS, NICKEL PLATE  
 SCREW SUPPLIED UNASSEMBLED

**KEYSTONE ELECTRONICS CORP.**

www.keyelco.com • NEW HYDE PARK, NY 11040 • Tel (516) 328-7500

PART NAME		SCREW TERMINAL	
MATERIAL		AS NOTED	
FINISH	DRN BY	DATE	
AS NOTED	NT	3.11.19	
	APP'D	SCALE	
	LN	4X	
TOLERANCES	INCH	[MM]	CODE
DECIMAL	± .010	[± 0.25 ]	C
ANGULAR	± 1°		
UNLESS OTHERWISE SPECIFIED			DWG NO.
			<b>8185</b>

DATE	DESCRIPTION	REV.