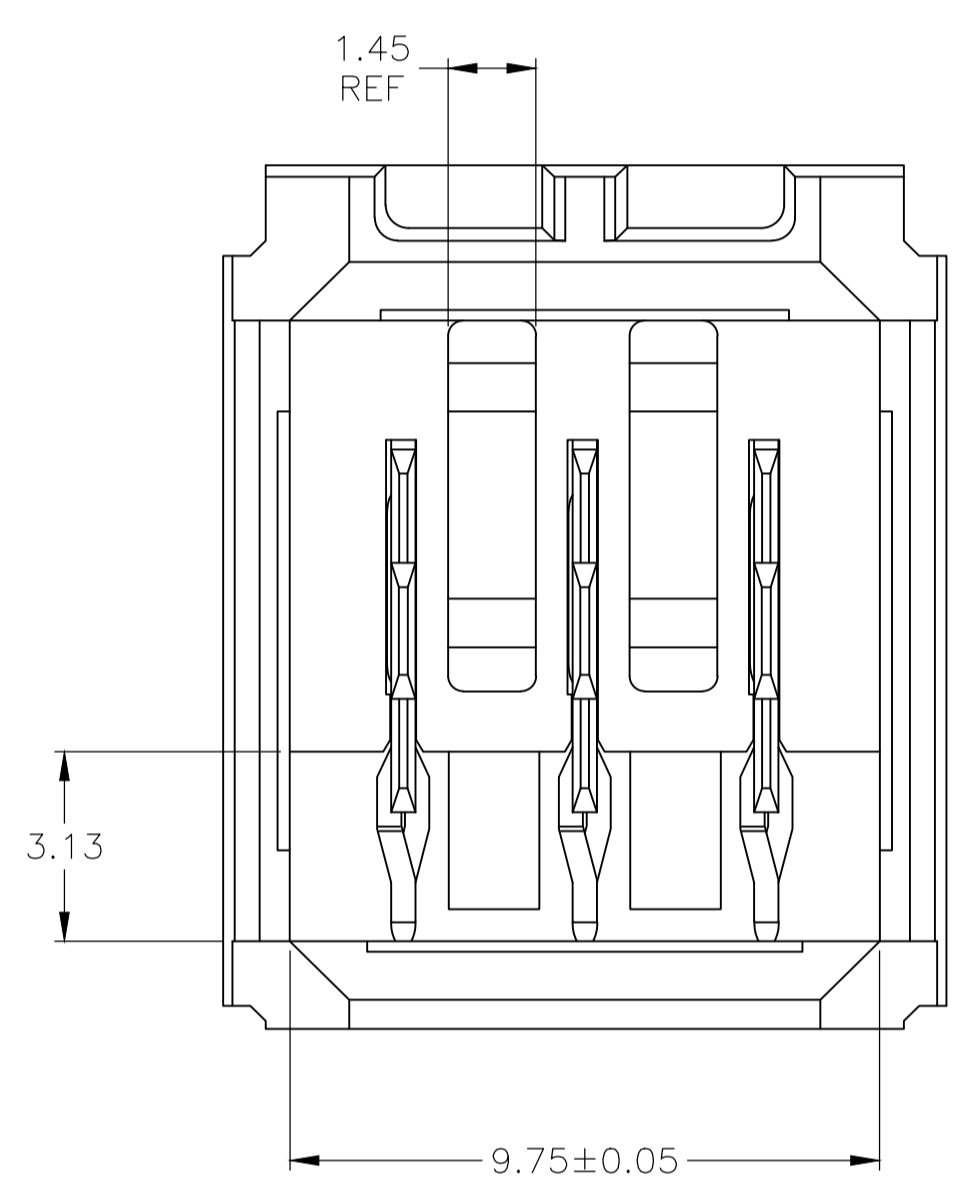
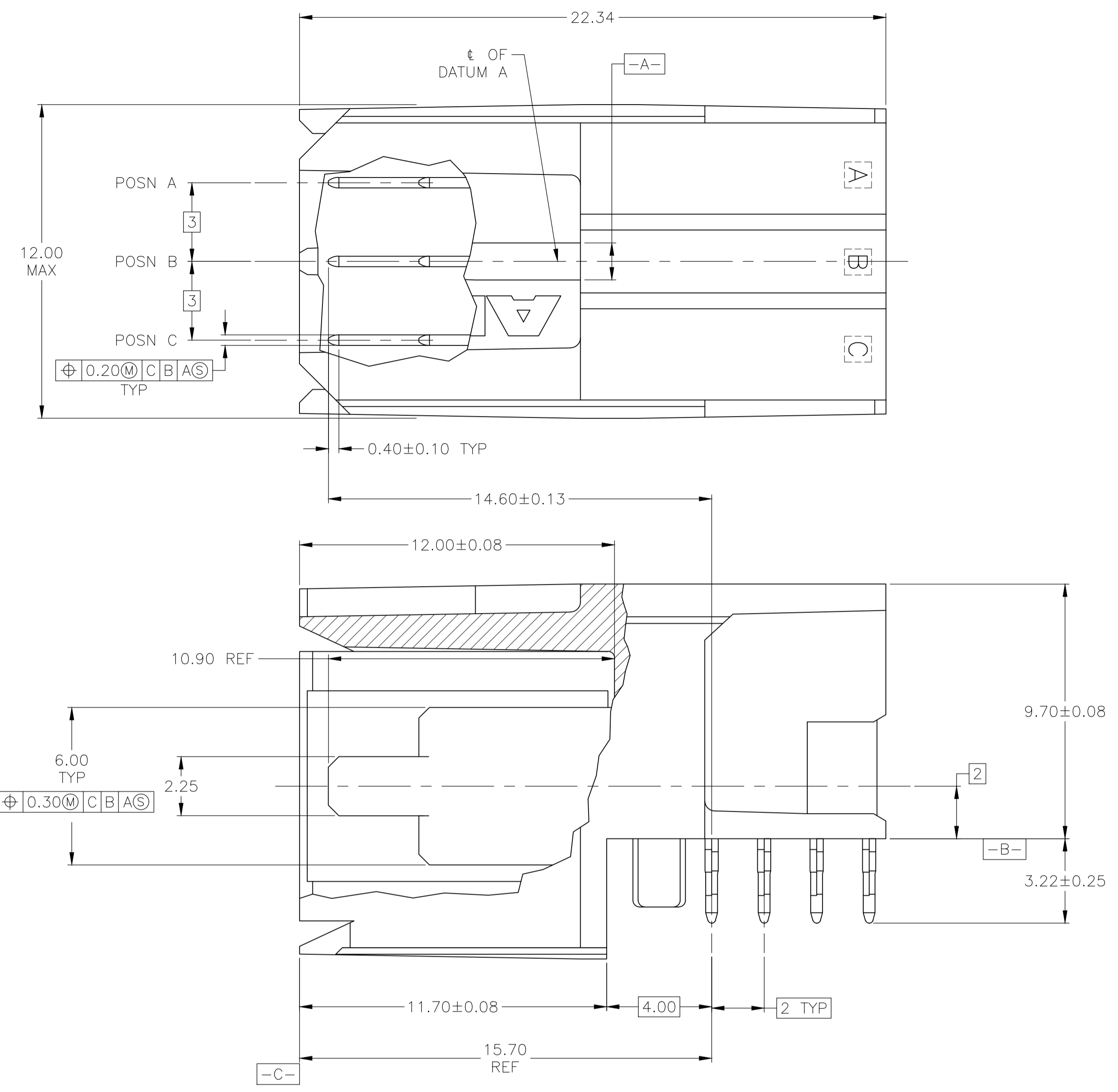
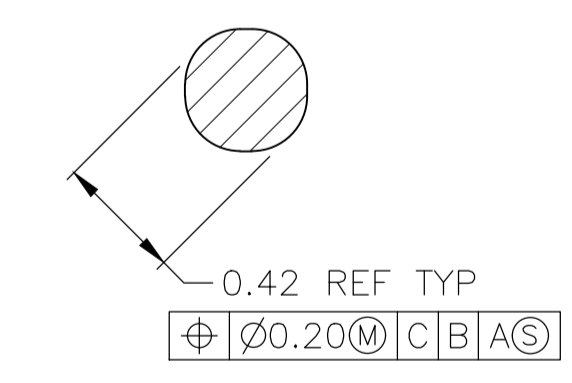
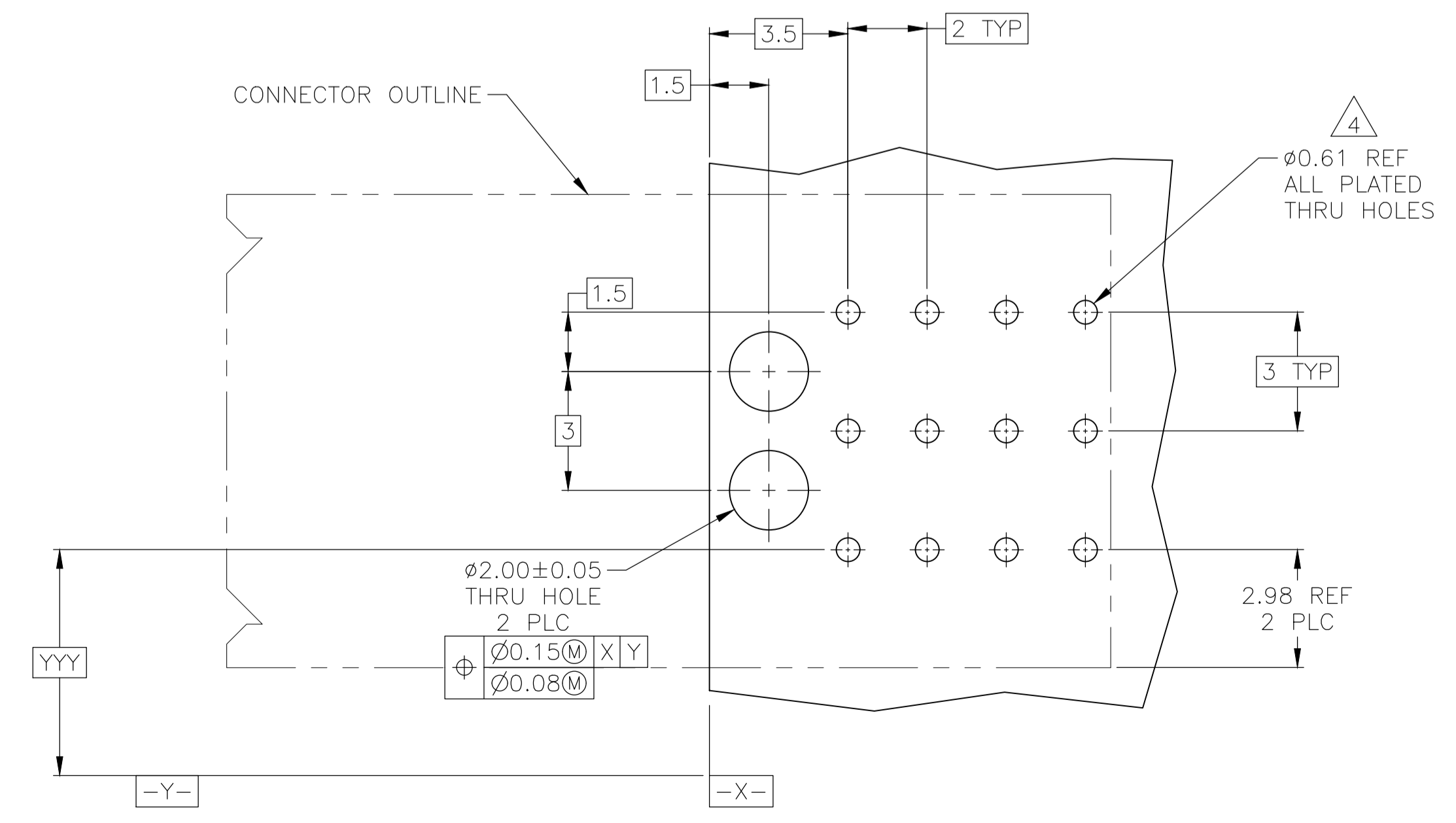
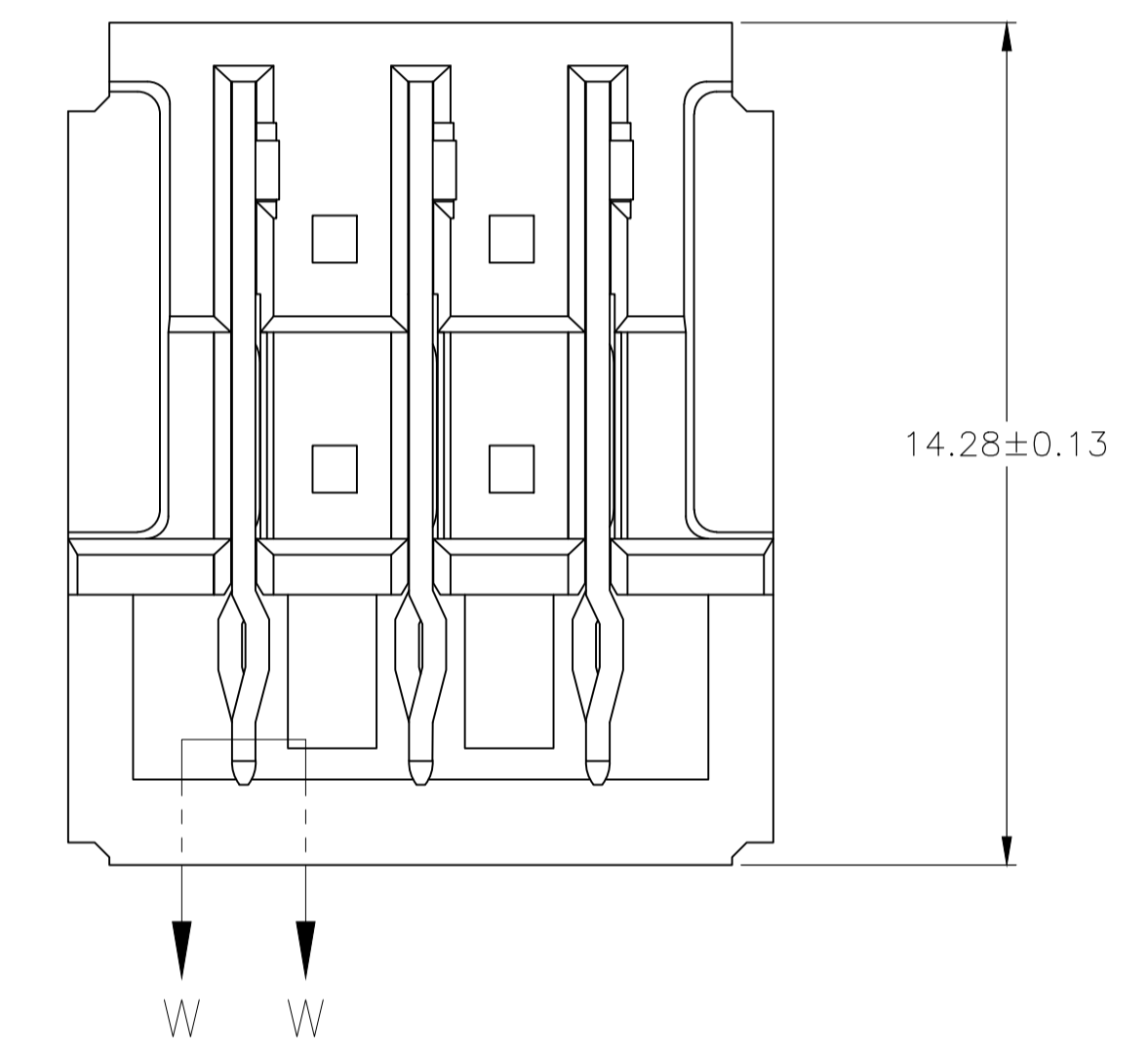


LOC		DIST		REVISIONS			
AD	00	REV	PER	ECO-20-004668	DATE	DWN	APVD
C1		REV	PER	ECO-20-004668	08JUN2020	ML	SZ



- 1 HOUSING: POLYESTER, GRAY. UL 94V-0. CONTACT: COPPER ALLOY.
- 2 FINISH: IN ACCORDANCE WITH PRODUCT SPECIFICATION 108-1651, GOLD PLATING OR EQUIVALENT PLATING ON PRODUCT CONTACT MATING AREA, AND MATTE TIN PLATING ON COMPLIANT PIN AREA, ALL OVER MATTE NICKEL UNDERPLATED. DETAIL PLEASE REFER TO PRODUCT SPECIFICATION 108-1651.
- 3 CONTACT LUBRICATION WITH BELCORE APPROVED LUBRICANT. TECHNICAL REFERENCE: TR-NWT-001217 ISSUE 1, SEPT 1992.
- 4 REFERENCE APPLICATION SPEC 114-1103 FOR RECOMMENDED PLATED THRU HOLE DIAMETER AND PLATING THICKNESS.
- 5 CURRENT RATING 10A/CONTACT PER PRODUCT SPEC 108-1651.



SECTION W-W
SCALE 40:1

RECOMMENDED PCB HOLE LAYOUT

5223976-1
PART NUMBER

THIS DRAWING IS A CONTROLLED DOCUMENT.		DIN B. CARBO 29OCT04	Tyco Electronics Corporation Harrisburg, PA, 17105-3608	
DIMENSIONS:		CHK R. PATTERSON 29OCT04	NAME R. PATTERSON 29OCT04	
TOLERANCES UNLESS OTHERWISE SPECIFIED:		PRODUCT SPEC 108-1651		
0. PLC ± -		APPLICATION SPEC 114-1103		
1. PLC ± 0.13		SIZE A1		
2. PLC ± -		CAGE CODE 00779		
3. PLC ± -		DRAWING NO 5223976		
4. PLC ± -		RESTRICTED TO -		
ANGLES ± -		WEIGHT -		
MATERIAL		CUSTOMER DRAWING		
FINISH		SCALE 8:1		
1		SHEET 1 of 1		
2 3		REV C1		