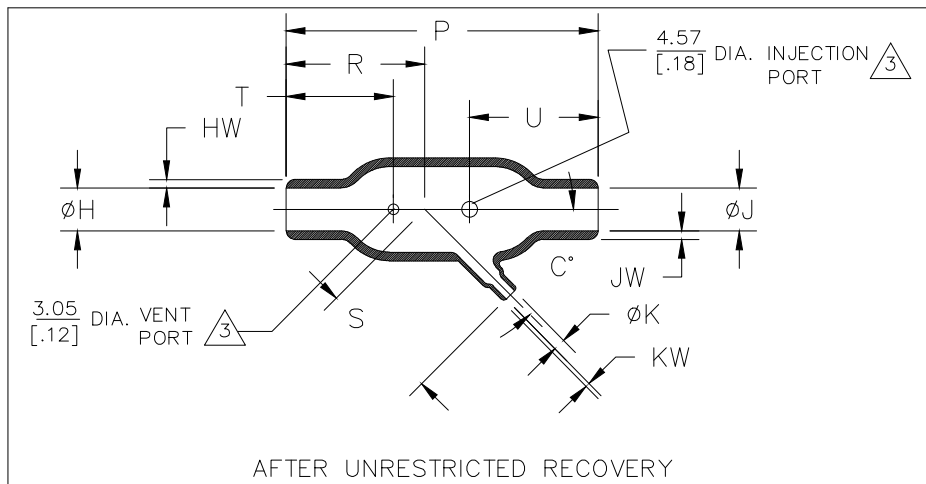
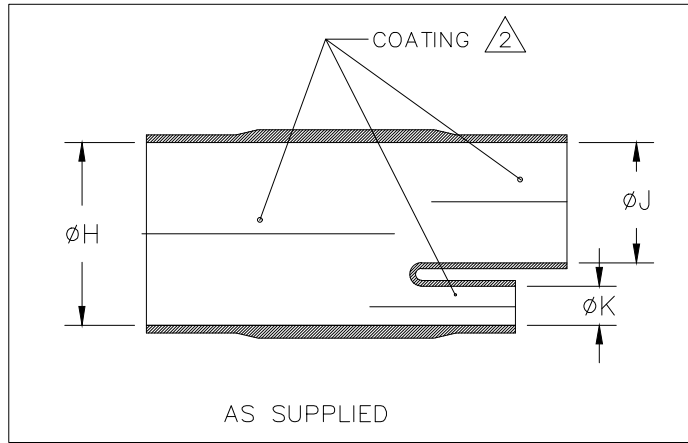


REVISIONS					
P	LTR	DESCRIPTION	DATE	DWN	APVD
	P	PRODUCTION ISSUE	30JAN2019	PNT	MT



PART DESCRIPTION	H & J		K		P	R	S	T	U	HW & JW	KW	C°	WEIGHT REF
	MIN	MAX	MIN	MAX	±10%	±10%	±10%	±10%	±10%	±20%	±20%	±5°	lb/[gms]
	a	b	a	b	b	b	b	b	b	b	b	b	b
342A012	13.2 [.52]	6.9 [.27]	6.6 [.26]	3.6 [.14]	49.3 [1.94]	22.9 [.90]	23.4 [.92]	19.6 [.77]	19.6 [.77]	1.52 [.06]	1.02 [.04]	45°	2.72 [.006]
342A024	26.9 [1.06]	12.7 [.50]	6.6 [.26]	3.6 [.14]	92.5 [3.64]	41.1 [1.62]	35.8 [1.41]	31.8 [1.25]	39.6 [1.56]	2.54 [.10]	1.02 [.04]	45°	16.33 [.036]
342A034	26.9 [1.06]	13.7 [.54]	13.2 [.52]	6.1 [.24]	144.8 [5.70]	69.9 [2.75]	53.6 [2.11]	50.8 [2.00]	50.8 [2.00]	2.54 [.10]	1.52 [.06]	45°	24.95 [.055]
342A048	55.6 [2.19]	26.9 [1.06]	13.2 [.52]	6.9 [.27]	184.9 [7.28]	83.3 [3.28]	71.9 [2.83]	63.5 [2.50]	63.5 [2.50]	4.57 [.18]	1.52 [.06]	45°	124.28 [.274]
342A058	55.6 [2.19]	26.9 [1.06]	26.9 [1.06]	13.7 [.54]	203.5 [8.01]	95.5 [3.76]	93.0 [3.66]	66.0 [2.60]	66.0 [2.60]	4.57 [.18]	2.54 [.10]	45°	148.78 [.328]

RELEASED FOR PUBLICATION

ALL RIGHTS RESERVED.

THIS DRAWING IS UNPUBLISHED.

© COPYRIGHT - TE Connectivity Ltd.

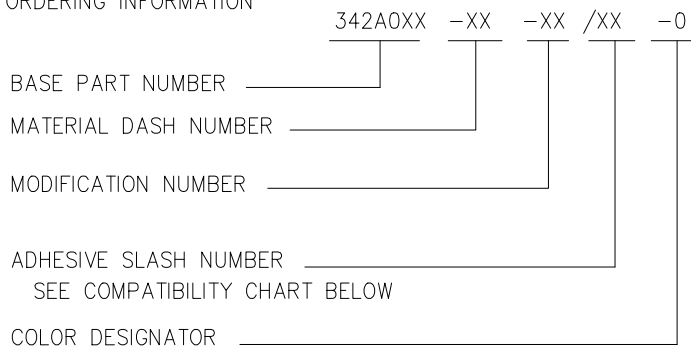
DIMENSIONS: mm [INCHES]	DWN	30JAN2019	MATERIAL	FINISH
	PRAVEEN N T		SEE SHEET 2	-
TOLERANCES UNLESS OTHERWISE SPECIFIED:	CHK	30JAN2019	TE Connectivity Ltd.	
	N NAGAR			
0 PLC ± - 1 PLC ± 0.50[.1] 2 PLC ± 0.25[.01] 3 PLC ± 0.13[.005] 4 PLC ± - ANGLES ± 1°	APVD	30JAN2019	NAME TRANSITION, 45 DEGREE	
	M TAYLOR			
WEIGHT	PRODUCT SPEC	-	SIZE	RESTRICTED TO
	APPLICATION SPEC	-	A4	-
CUSTOMER DRAWING		CAGE CODE	DRAWING NO	SCALE
		00779	C-342A0XX-XX-0	DNS
		SHEET 1 OF 2		REV P

REVISIONS					
P	LTR	DESCRIPTION	DATE	DWN	APVD
	-	SEE SHEET 1	-	-	-

COMPATIBILITY CHART

MATERIAL DASH NO.	MATERIAL DESCRIPTION	RT SPEC	COATING SLASH NO.	COATING S NO.
-3	Polyolefin, Semi-rigid	RT-301	/42;/86;/180	S1017;S1048;S1030
-4	Polyolefin, Flexible	RT-1304	/42;/86;/180	S1017;S1048;S1030
-12	Fluoroelastomer, Flexible	RT-1312	N/A	N/A
-25	Elastomer, Fluid Resistant	RW-2070	/42;/86;/225	S1017;S1048;S1206
-100	Polyolefin, Semi-flexible Zerohal	RW-2082	/86;/180	S1048;S1030

ORDERING INFORMATION



NOTES:

- DIMENSIONS APPEARING IN TABLE ARE AS FOLLOWS:
a - AS SUPPLIED
b - AFTER UNRESTRICTED RECOVERY
- COATING (ADHESIVE) IS OPTIONAL. AS SUPPLIED DIMENSIONS APPEARING IN TABLE ARE FOR UNCOATED PARTS. WHEN COATING IS ADDED, ENTRY DIAMETER WILL BE REDUCED BY 1.5mm[.06]MAX. COATING DIMENSIONS CH & CJ WILL BE 12.7[.50] MIN AND CK WILL BE 3.0[.12]MIN.
- MOLDING PORTS ARE OPTIONAL. WHEN -00 MODIFICATION NUMBER IS SPECIFIED, MOLDING PORTS WILL BE LOCATED AS SHOWN.

RELEASED FOR PUBLICATION

ALL RIGHTS RESERVED.

© COPYRIGHT - TE Connectivity Ltd.

THIS DRAWING IS UNPUBLISHED.

DIMENSIONS: mm [INCHES]	DWN PRAVEEN N T 30JAN2019	MATERIAL -	FINISH -
	CHK N NAGAR 30JAN2019	TE Connectivity Ltd.	
TOLERANCES UNLESS OTHERWISE SPECIFIED:	APVD M TAYLOR 30JAN2019		
0 PLC ± -	PRODUCT SPEC -	SIZE A4	CAGE CODE 00779
1 PLC ± 0.50[.1]	APPLICATION SPEC -	DRAWING NO C-342A0XX-XX-0	RESTRICTED TO -
2 PLC ± 0.25[.01]	WEIGHT	CUSTOMER DRAWING	
3 PLC ± 0.13[.005]		SCALE DNS	SHEET 2 OF 2
4 PLC ± -			REV P
ANGLES ± 1°			

