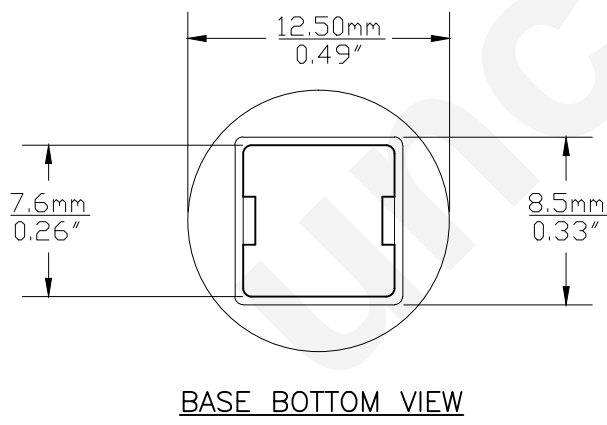
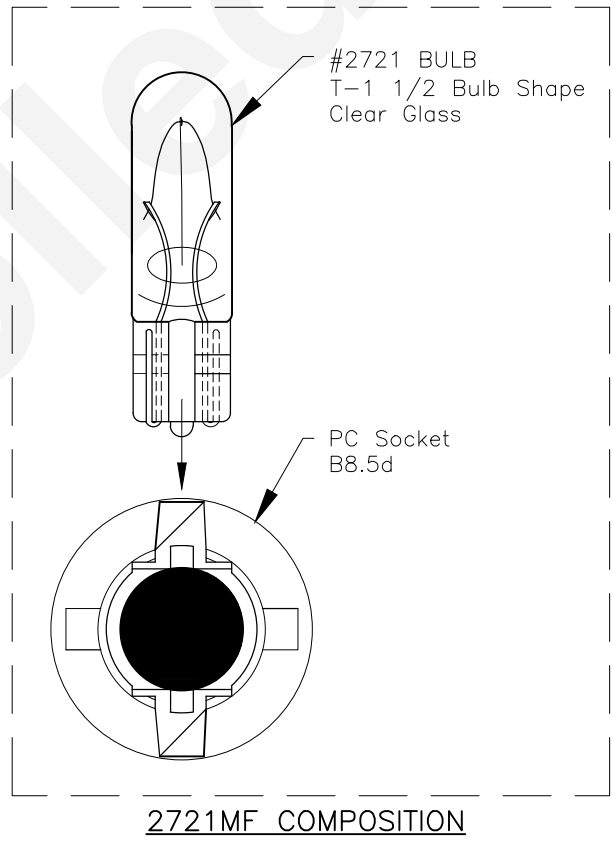
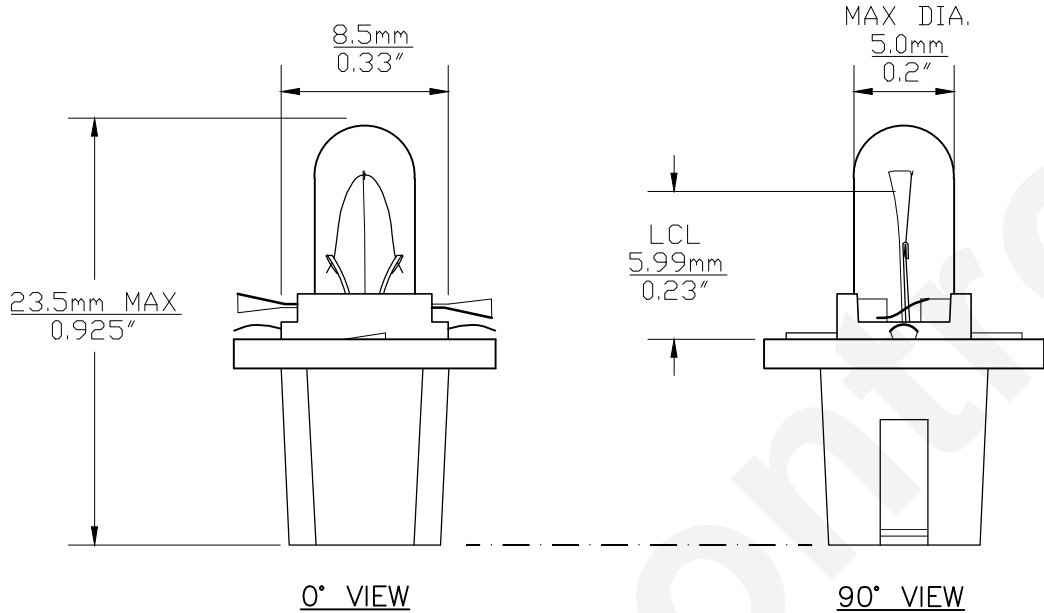




| PART NO. | BASE TYPE | DESIGN VOLTS | DESIGN AMPS | MSCD | FILAMENT TYPE | AVERAGE LIFE HOURS |
|----------|-----------------|--------------|-------------|----------|---------------|--------------------|
| 2721MF | PC Socket B8.5d | 12.0V | 0.1±15% | 0.48±30% | C-2V | 300 |

| REVISIONS | | | |
|-----------|------------------------------|------------|----------|
| REV # | DESCRIPTION | DATE | APPROVED |
| 1 | ADDRESS CHANGE | 04/11/2007 | D.C. |
| 2 | REDRAWN FOR ADDITIONAL VIEWS | 07/03/2014 | R.M. |



Note: Made according to SAE specifications

| | | | |
|---|--------------------|--|----------------------|
| UNLESS OTHERWISE SPECIFIED: DIMENSIONS ARE IN INCHES TOLERANCES | | CEC INDUSTRIES LTD | |
| DECIMALS | ANGULAR | 599 BOND STREET LINCOLNSHIRE, IL 60069 | |
| .XX ± .05 | ± 0.5° | | |
| .XXX ± .010 | | | |
| FRACTIONAL | ± 1/64 | | |
| DRAWN ANNA SOLOVEYCHIK | DATE 03/06/2003 | TITLE LIGHT BULB NO. 2721MF | |
| CHECKED | | SIZE A | REV 2 |
| DESIGN | | FSCM NO. | DWG NO. 2721MF |
| MATERIAL | | SCALE | PLOT SCALE |
| | | FILE 2721MF.pdf | SHEET 1 OF 1 |
| | | | DRAWING NOT TO SCALE |

