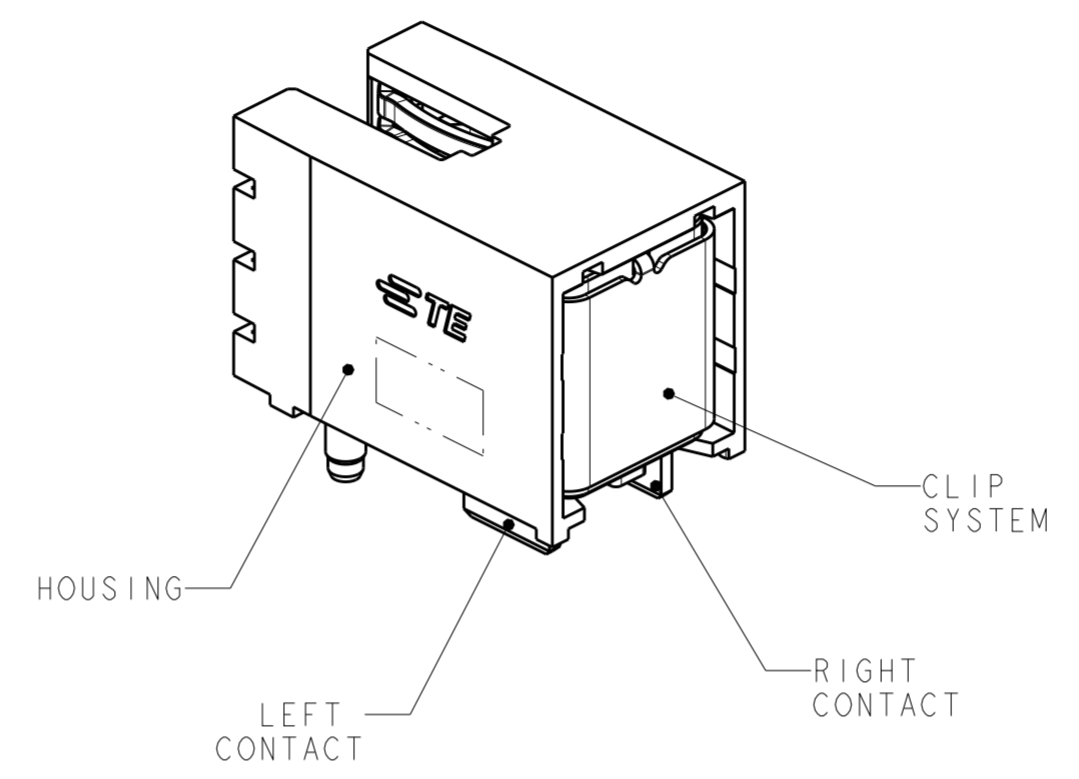
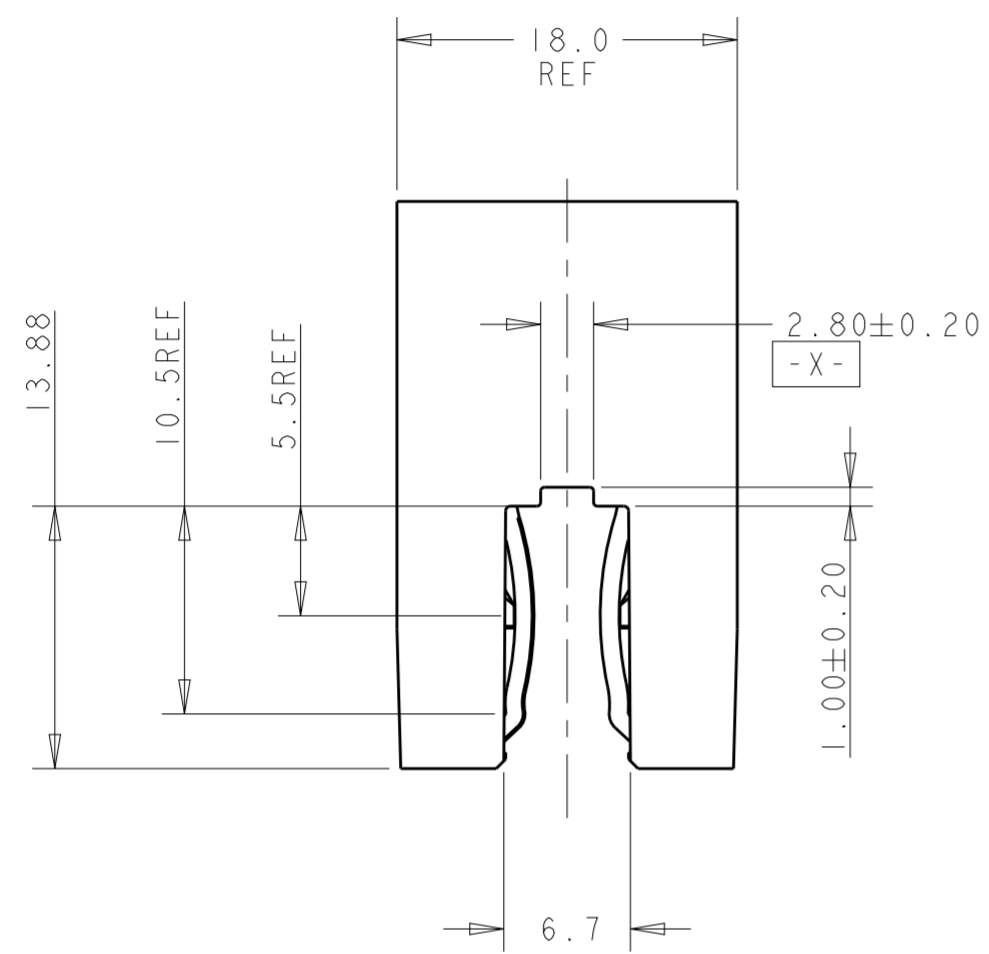
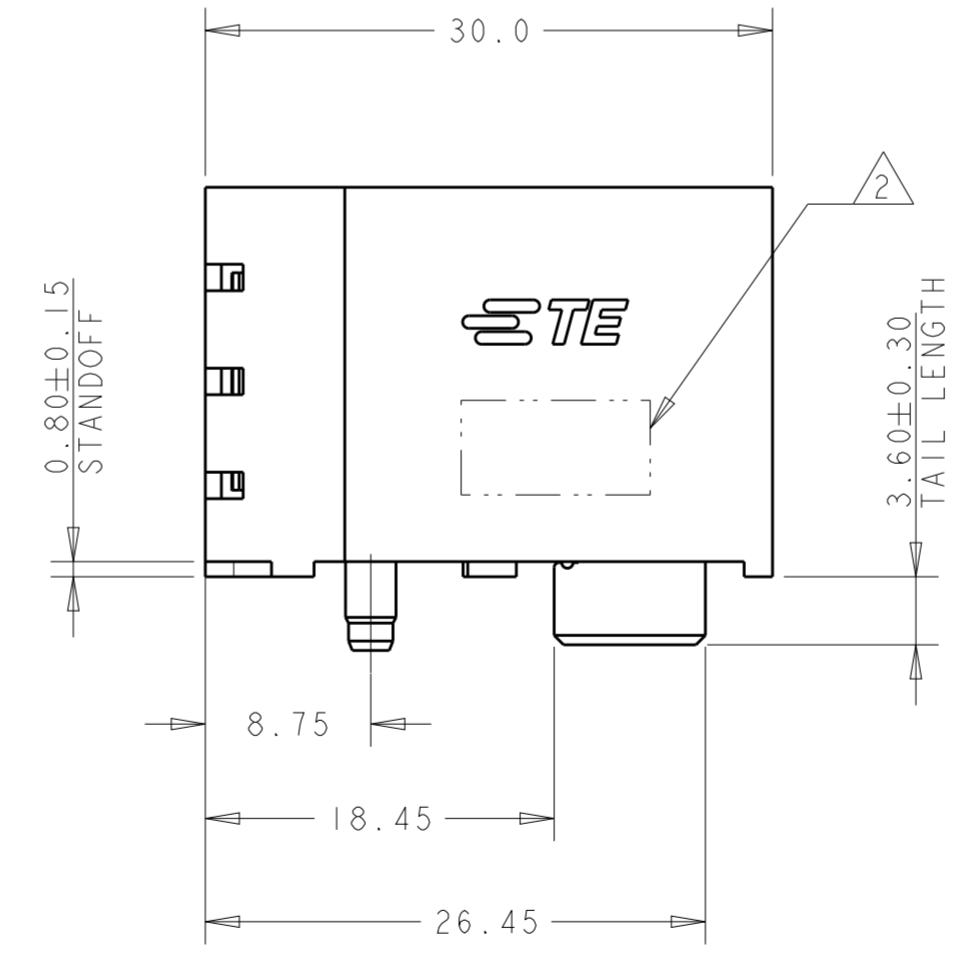
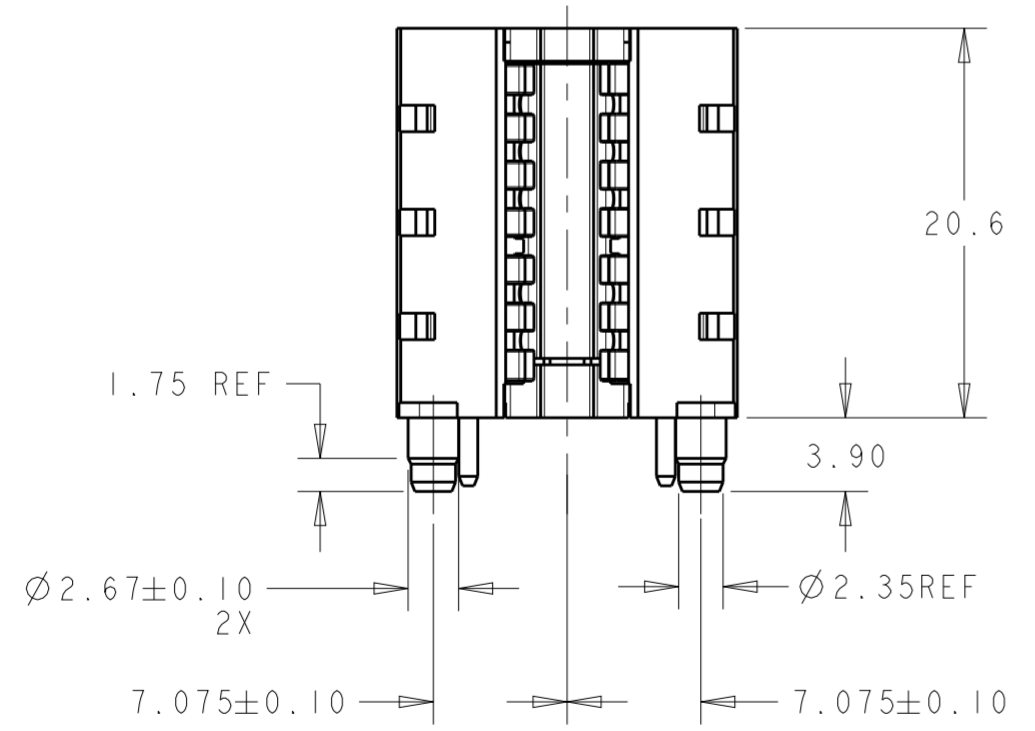


THIS DRAWING IS UNPUBLISHED. RELEASED FOR PUBLICATION  
 © COPYRIGHT BY - TE CONNECTIVITY ALL RIGHTS RESERVED.

| REVISIONS |     |                        |           |       |
|-----------|-----|------------------------|-----------|-------|
| P         | LTR | DESCRIPTION            | DATE      | APVD  |
|           | I   | INITIAL                | 11OCT2018 | ML SZ |
|           | AI  | RELEASE THE NEW P/N -3 | 20NOV2020 | ML SZ |



- NOTES:
- MATERIAL:  
 HOUSING: THERMOPLASTIC GLASS PREINFORCED  
 COLOR: BLACK, UL94V-0  
 CONTACT: HIGH CONDUCTIVITY COPPER ALLOY
  - AREA FOR DATE CODE AND P/N
  - FINISH:  
 CONTACT AREA: NOBLE METAL OVER NICKEL.  
 SOLDERING TAIL: MATTE TIN OVER NICKEL.
  - RECOMMENDED MATING BUSBAR BOARD:  
 MATERIAL: COPPER ALLOY C10100/C10200/C11000  
 PLATING: 0.76um MIN. GOLD PLATING OVER 1.27~7.62um  
 MATTIN NICKEL UNDERPLATED ON COPPER SURFACE.  
 DETAIL SPECIFICATION PLEASE REFER TO SHEET 2.
  - PRODUCT NO.: 2204899-1/-3



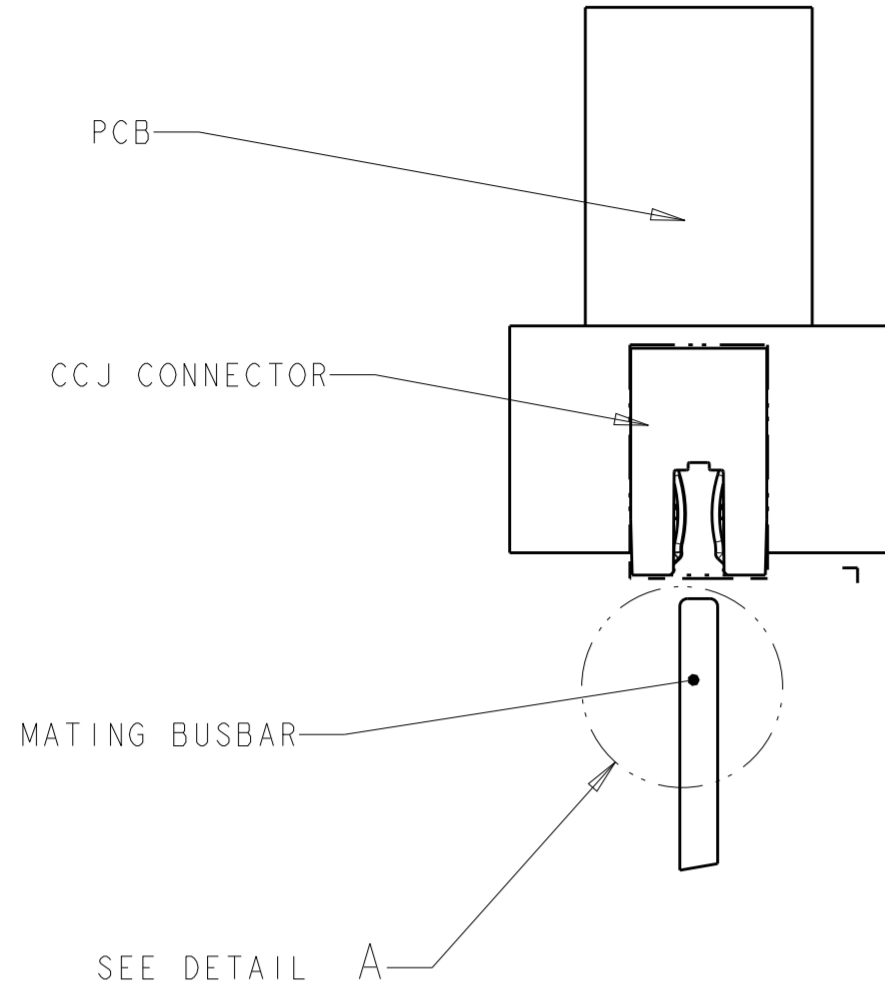
REFERENCE PRODUCT VIEW  
 TE P/N: 2204899-1

| TE P/N    | DESCRIPTION                                  | TAIL LENGTH | REF PCB THICKNESS REFLOW SOLDERING | REF PCB THICKNESS WAVE SOLDERING |
|-----------|--|-------------|------------------------------------|----------------------------------|
| 2204899-3 | CROWN CLIP JUNIOR POWER HC250 SOLDERING CONN | 5.10 ± 0.30 | 4.5mm (3.6~7.1mm)                  | 4.1mm                            |
| 2204899-1 | CROWN CLIP JUNIOR POWER HC250 SOLDERING CONN | 3.60 ± 0.30 | 3.0mm (2.1~5.6mm)                  | 2.6mm                            |

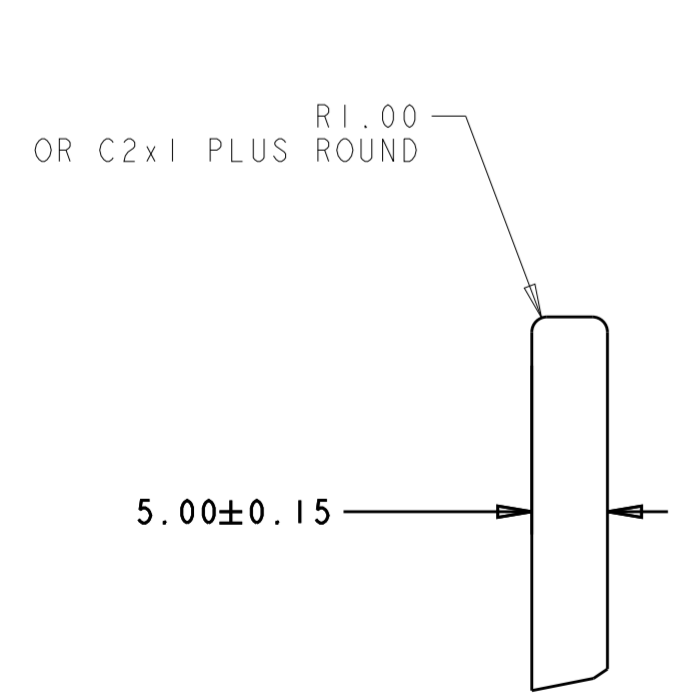
|  |  |                              |  |  |
|--|--|------------------------------|--|--|
| THIS DRAWING IS A CONTROLLED DOCUMENT. |  | DWN: MAC LIU 16DEC2018       | <b>STE</b> TE Connectivity   |  |
| DIMENSIONS: mm                         |  | CHK: SUNY ZHAO 16DEC2018     |  |  |
| TOLERANCES UNLESS OTHERWISE SPECIFIED: |  | APVD: SUNY ZHAO 16DEC2018    | NAME: CROWN CLIP JUNIOR POWER CONNECTOR HIGH CURRENT POWER VERSION SOLDERING |  |
| 0 PLC ± -                              |  | PRODUCT SPEC: 108-128048     | SIZE: A2   |  |
| 1 PLC ± 0.5                            |  | APPLICATION SPEC: 114-128048 | CAGE CODE: 0079  |  |
| 2 PLC ± 0.30                           |  | WEIGHT: -                    | DRAWING NO: 2204899  |  |
| 3 PLC ± 0.150                          |  | CUSTOMER DRAWING             |  |  |
| 4 PLC ± -                              |  | SCALE: 2:1                   |  |  |
| ANGLES ± 2°                            |  | SHEET 1 OF 2                 |  |  |
| FINISH                                 |  | REV: AI                      |  |  |

THIS DRAWING IS UNPUBLISHED. RELEASED FOR PUBLICATION  
 © COPYRIGHT BY - TE CONNECTIVITY ALL RIGHTS RESERVED.

| REVISIONS |     |             |      |      |
|-----------|-----|-------------|------|------|
| P         | LTR | DESCRIPTION | DATE | APVD |
| -         | -   | SEE SHEET 1 | -    | -    |
|           |     |             |      |      |
|           |     |             |      |      |



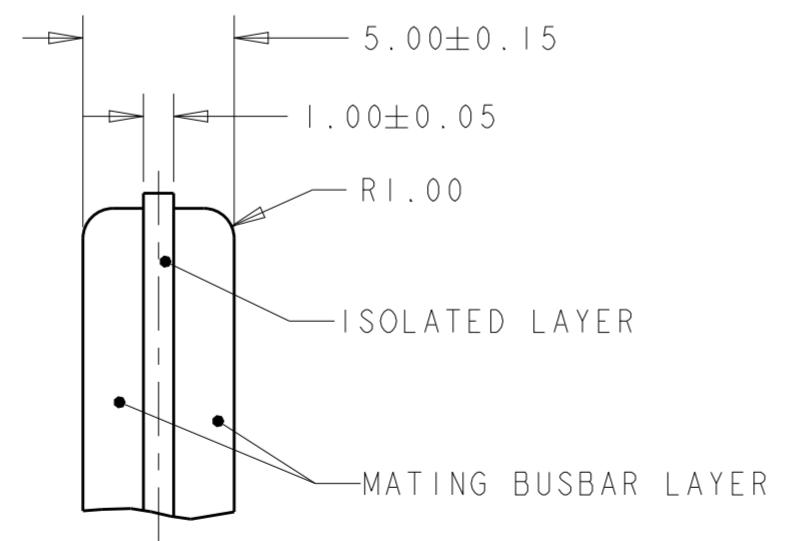
REFERENCE APPLICATION VIEW



DETAIL A  
 SCALE 2:1

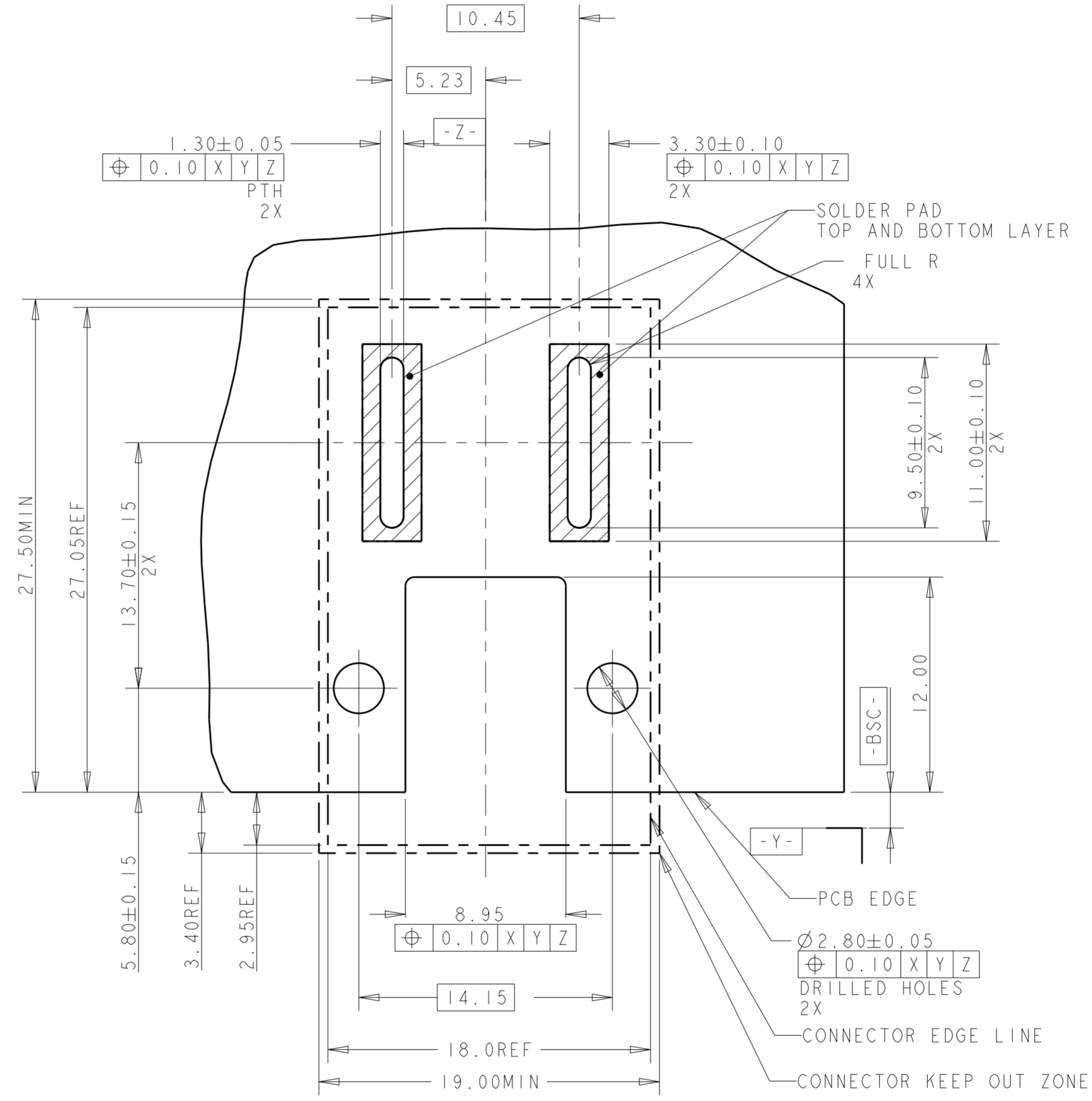
SOLID MATING BUSBAR

MATING EDGE TREATMENT:  
 NO SHARP EDGE IN MATING AREA.



SCALE 4:1

LAMINATED MATING BUSBAR



RECOMMENDED PCB LAYOUT FOR REFLOW SOLDERING  
 THICKNESS: 3.0mm FOR P/N 2204899-1  
 THICKNESS: 4.5mm FOR P/N 2204899-3

|   |  |                                |                     |  |                         |                    |
|---|--|--------------------------------|---------------------|--|-------------------------|--------------------|
| THIS DRAWING IS A CONTROLLED DOCUMENT.  |  | DWN<br>MAC LIU<br>16DEC2018    | <br>TE Connectivity | NAME<br>CROWN CLIP JUNIOR POWER CONNECTOR<br>HIGH CURRENT POWER VERSION<br>SOLDERING |                         |                    |
| DIMENSIONS:<br>mm   |  | CHK<br>SUNY ZHAO<br>16DEC2018  |                     | PRODUCT SPEC<br>108-128048   | SIZE<br>A2              | CAGE CODE<br>0079  |
| TOLERANCES UNLESS OTHERWISE SPECIFIED:  |  | APVD<br>SUNY ZHAO<br>16DEC2018 |                     | APPLICATION SPEC<br>114-128048   | DRAWING NO<br>C-2204899 | RESTRICTED TO<br>- |
| 0 PLC ±-<br>1 PLC ±0.5<br>2 PLC ±0.30<br>3 PLC ±0.150<br>4 PLC ±-<br>ANGLES ±2°<br>MATERIAL -<br>FINISH - |  | WEIGHT<br>-                    |                     | CUSTOMER DRAWING   | SCALE 2:1               | SHEET 2 OF 2       |