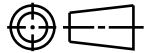
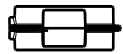
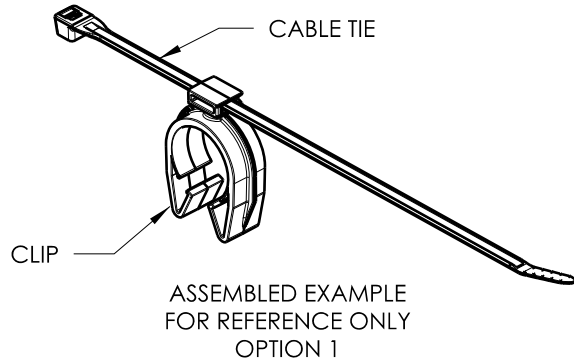


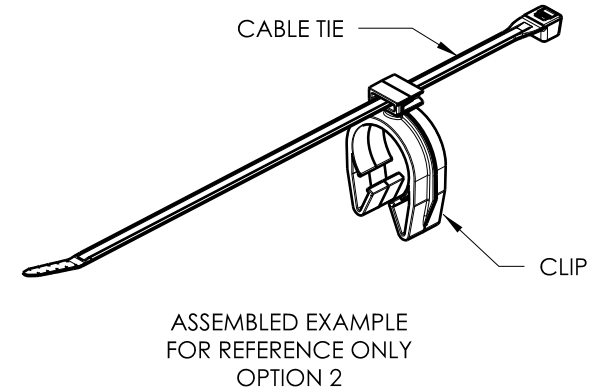
CATIA V5



Revision Level			Revision Record	Changed	Date	Approved	Date
Drawing	State	Part					
01.2	Design Release	-	SEE ECN# 015143	JMC	5/15/19	EJH	5/15/19



MOC22SAD
DELIVERY CONDITION: UNASSEMBLED SET




T50R
DELIVERY CONDITION: UNASSEMBLED SET

TYPE	DIAMETER RANGE*
HARNESS	20.0MM-24.0MM
HOSE	20.0MM-24.0MM
HARD PIPE/TUBE	22.0MM-25.0MM

*RECOMMENDED SIZES MAY DIFFER DEPENDING ON THE APPLICATION, PRODUCT REQUIREMENTS AND MATERIALS USED

**PATENT PENDING 29/582,271

GLOBAL PART DESCRIPTION	BUNDLE RANGE	CABLE TIE			CLIP**		
		DRAWING	MATERIAL	COLOR	DRAWING	MATERIAL	COLOR
T50RMOC22SADSET-PPS-ML 	4 TO 50	15-0875-003-CSU	PPS	SILVER	16-0323-078-CSU	PPS	SILVER

Material SEE CHART COLOR: SEE CHART	Units millimeters Tolerance defined on each dimension	The copyright of this drawing is reserved by HellermannTyton. It is issued on condition that it is not reproduced, copied or disclosed to a third party, either wholly or in part, without the consent of HellermannTyton.	Drawn	TAT	3/8/2019	Article/Type-No T50RMOC22SADSET 	Scale	1:2
			Approved	EJH	3/8/2019		Title	22mm (7/8") MOC SADDLE WITH T50R PPS CABLE TIE
 North America Email: corp@htamericas.com Web: www.hellermann.tyton.com			Drawing-No		PRODUCTION : Phase	Format	AH	
			16-0323-178-CSU		Sheet	1/1		