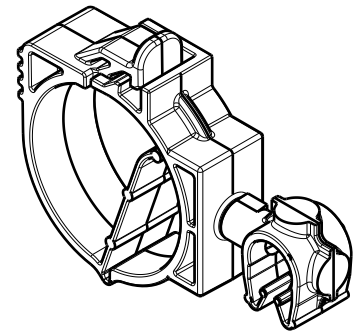
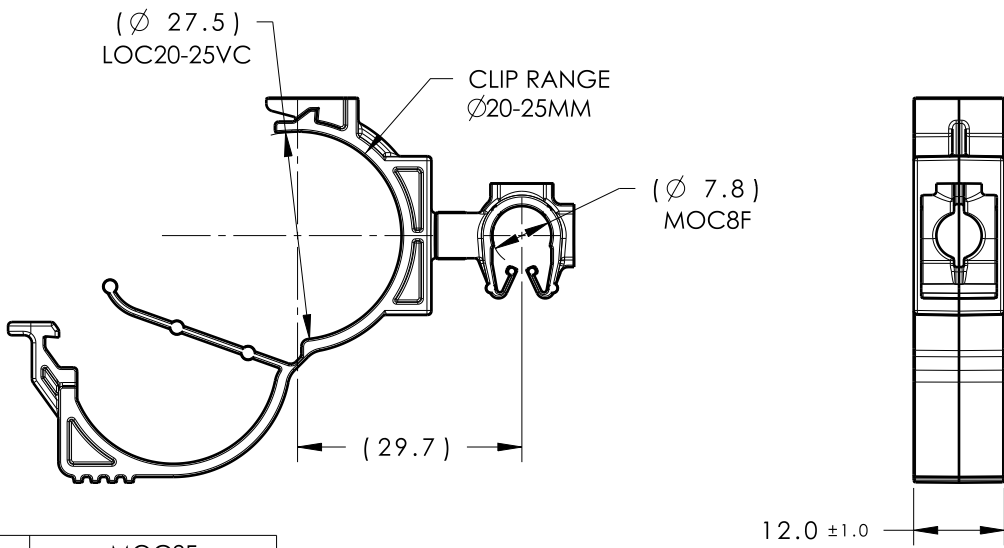
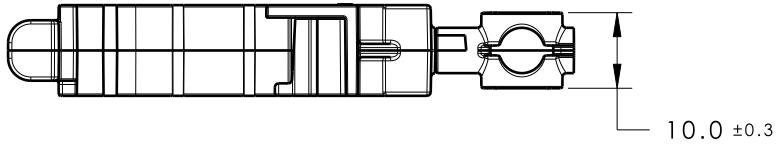
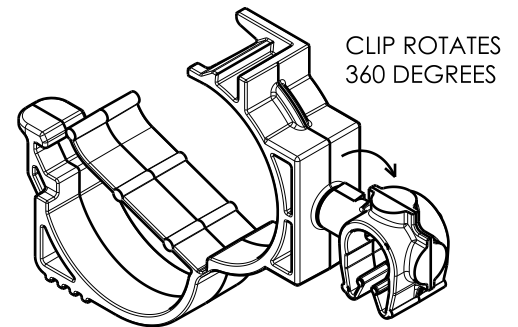


Revision Level			Revision Record	Changed	Date	Approved	Date
Drawing	State	Part					
01.1	Design Release		SEE ECN# 013698	KVH	1/30/17	CJR	1/31/17



ISOMETRIC VIEW  
CLOSED POSITION



CLIP ROTATES  
360 DEGREES

TYPE	MOC8F
HARNESS	7.5MM - 8.5MM
HOSE	7.0MM - 8.5MM
HARD PIPE/TUBE	7.9MM - 9.0MM

1. MAXIMUM PERCENT REGRIND PERMISSIBLE: 25%
2. MAX ALLOWABLE FLASH OR MISMATCH TO BE: 0.5mm
3. TUBE EXTRACTION FORCE (FROM CLIP) MUST BE GREATER THAN 80N (18LBS)
4. IN A DRY STATE <10% HUMIDITY AND A TEMPERATURE OF 40°F THE CLIP MUST BE CYCLED 5 TIMES AND SHOW THE CLIP STILL FUNCTIONS

01.1

UNS-UNIVERSAL NUMBER SYSTEM	TYPE	MOC8F			LOC20-25VC		
		DRAWING	MATERIAL	COLOR	DRAWING	MATERIAL	COLOR
156-01614	MOC8LOC20-25	16-0316-000-CSU	PA66HIRHS	BLACK	12-0631-051-CSU	PA66HIRHS	BLACK
156-01734			CELCON M90				

Material SEE CHART COLOR: SEE CHART	Units	millimeters	The copyright of this drawing is reserved by HellermannTyton. It is issued on condition that it is not reproduced, copied or disclosed to a third party, either wholly or in part, without the consent of HellermannTyton.	Drawn	EJH	1/29/16	Article/Type-No	MOC8LOC20-25	Scale	1:1
	Tolerance defined on each dimension	Approved		EJF	11/11/16	Title	20-25MM LOCKING OMEGA CLIP COUPLED TO 8MM MODULAR OMEGA CLIP		Project Number	16-0327
		 North America Email: corp@htamericas.com Web: www.hellermann.tyton.com			Drawing-No	PRODUCTION : Phase	Format	AH		
					16-0327-084-CSU		Sheet	1/1		