

| MATERIAL NO. | ENGINEERING NO. | FINISHED LENGTH       | POLES | CABLE DIA.  |
|--------------|-----------------|-----------------------|-------|-------------|
| 1300630040   | C03006A48M010   | 1 M (3 FT 3.37 IN)    | 3     | 0.70 [17.8] |
| 1300630165   | C04006A48M500   | 50 M (164 FT 0.50 IN) | 4     | 0.78 [19.7] |
| 1300632012   | C04006A48M750   | 75 M (246 FT 0.76 IN) | 4     | 0.78 [19.7] |

**CABLE LENGTH TOLERANCES**

<.3M [1FT]: +19mm-0 [ +.75in-0]

.3 - .9M [1 - 3FT]: +44.5mm-0 [+1.75in-0]

.9 - 1.8M [3 - 6FT]: +55.6mm-0 [+2.19in-0]

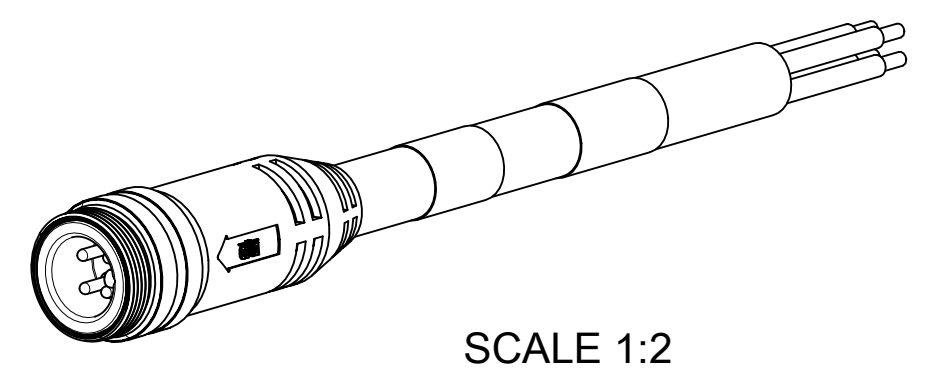
1.8 - 3.7M [6 - 12FT]: +88.9mm-0 [+3.50in-0]

3.7 - 7.3M [12 - 24FT]: +165.1mm-0 [+6.50in-0]

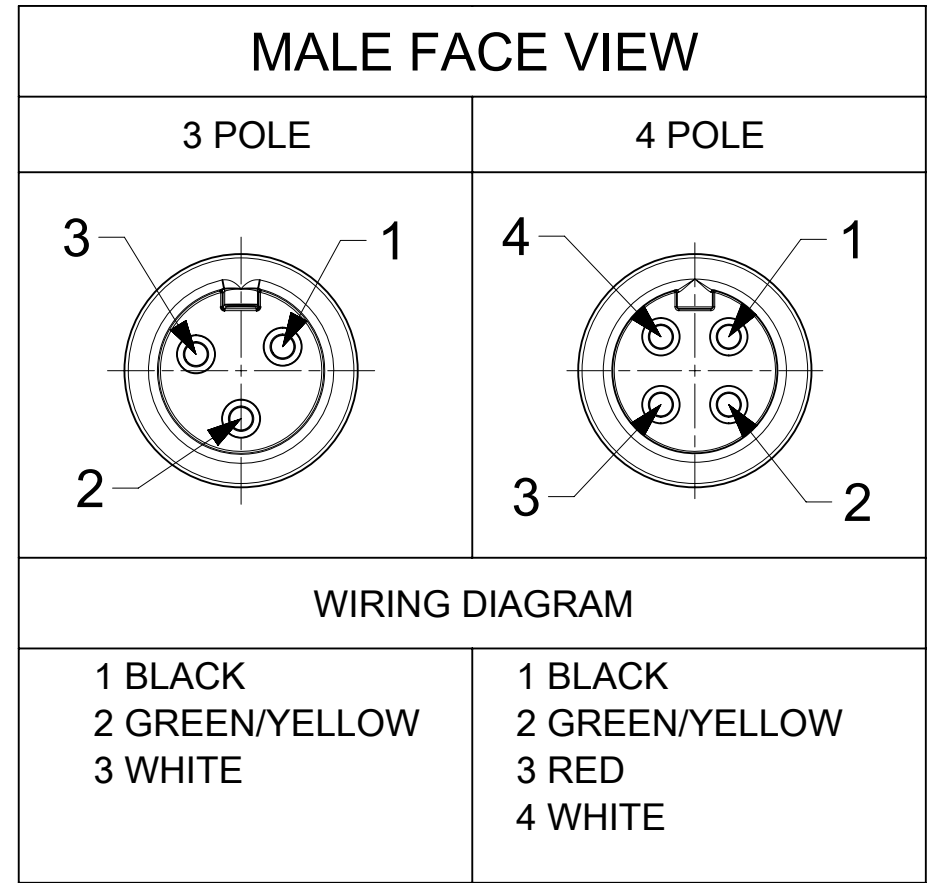
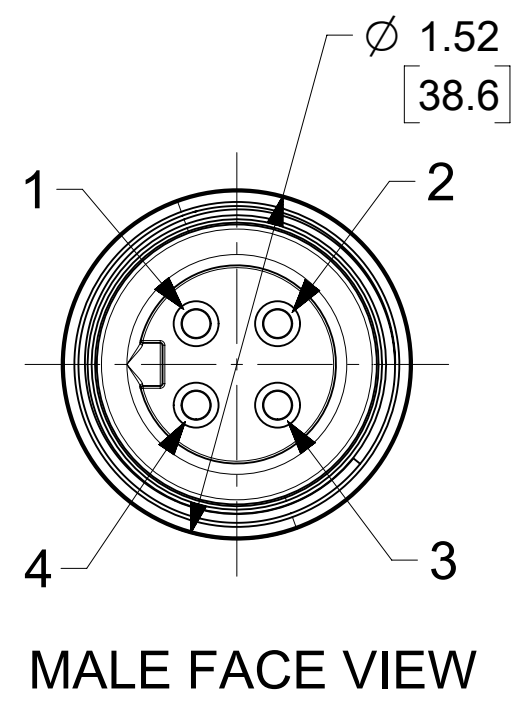
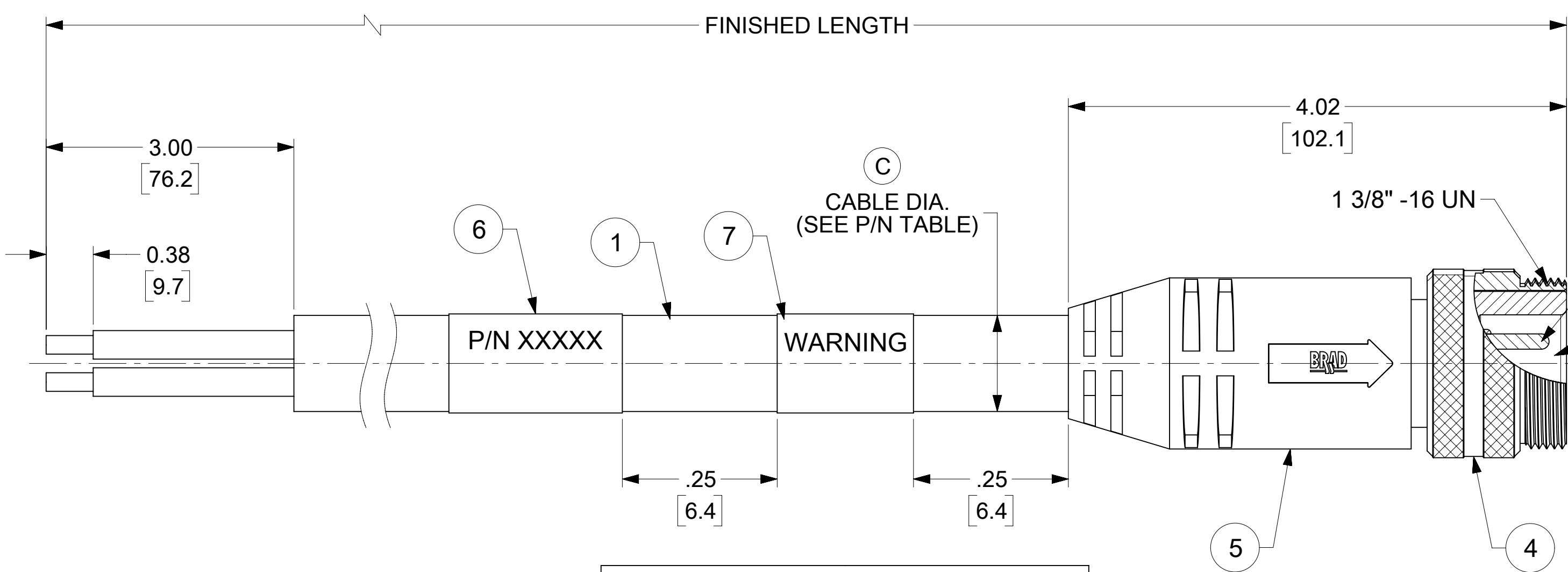
7.3-14.6M [24 - 48FT]: +317.5mm-0 [+12.50in-0]

14.6 - 30.5M [48-100FT]: +622.3mm-0 [+24.50in-0]

OVER 30M [100FT] +2% OF FINISHED LENGTH



SCALE 1:2



- NOTES:**
- MATERIAL: AS NOTED
  - FINISH: AS NOTED
  - ELECTRICAL:  
VOLTAGE: 630V (3P) / 500V (4P) PER IEC60664  
600V PER UL2237  
CURRENT: 32A
  - TEMP RATING: -20°C TO +90°C (3P), +105°C (4P)
  - PROTECTION: IP67 (WHEN MATED)
  - UL LISTED FILE: E258922
  - ALL DIMS ARE FOR REFERENCE UNLESS TOLERANCED OR NOTED OTHERWISE

**PART NUMBER LEGEND**

**C04006A48M020**

FINISHED LENGTH  
M005 = 0.5 METER  
M010 = 1 METERS  
M100 = 10 METERS

| ITEM | DESCRIPTION                | MATERIAL   | FINISH           |
|------|----------------------------|------------|------------------|
| 7    | WARNING LABEL              | VINYL      | ORANGE/BLACK     |
| 6    | WRAP LABEL                 | VINYL      | BLACK/YELLOW     |
| 5    | OVERMOLD                   | TPE        | GRAY             |
| 4    | COUPLING NUT               | ALUMINIUM  | CLEAR ANODIZE    |
| 3    | PIN CONTACT                | Cu ALLOY   | GOLD OVER NICKEL |
| 2    | MALE INSERT                | TPE        | BLACK            |
| 1    | CABLE, #10/3-4 TC-ER/STOOW | PVC JACKET | GRAY             |

|  |   |   |                           |
|--|---|---|---------------------------|
| FUNCTIONAL SYMBOLS                                   | THIS DRAWING CONTAINS INFORMATION THAT IS PROPRIETARY TO MOLEX ELECTRONIC TECHNOLOGIES, LLC AND SHOULD NOT BE USED WITHOUT WRITTEN PERMISSION | CURRENT REV DESC: ADDED NOTES, BOM, ITEM #2 & 5 WERE PVC, MATERIAL P/N TABLE & DIMS. CABLE DIA., TOL. CHART AND PART NUMBER LEGEND. |                           |
|  | DIMENSION UNITS   | SCALE   | EC NO: 711366             |
|  | INCH  | 1:1   | DRWN: VHANDI 2021/07/08   |
|  | GENERAL TOLERANCES (UNLESS SPECIFIED)   |   | CHK'D: RSTONE 2022/06/21  |
| DIVISIONAL SYMBOLS                                   | 4 PLACES ±  | MM  | APPR: BWOODMAN 2022/06/24 |
|  | 3 PLACES ±  | INCH  | INITIAL REVISION:         |
|  | 2 PLACES ±  |   | DRWN: B.RUPERT 2010/01/12 |
|  | 1 PLACE ±   |   | APPR: JFMURPHY 2010/01/15 |
| 0 PLACES ±   | ANGULAR TOL ± °   | THIRD ANGLE PROJECTION  | DRAWING SERIES            |
| DRAFT WHERE APPLICABLE MUST REMAIN WITHIN DIMENSIONS |   | C-SIZE  | 130063                    |

|                 |                |              |          |          |
|-----------------|----------------|--------------|----------|----------|
| DOCUMENT NUMBER |                | DOC TYPE     | DOC PART | REVISION |
| SD-130063-042   |                | PSD          | 001      | C        |
| MATERIAL NUMBER | CUSTOMER       | SHEET NUMBER |          |          |
| SEE TABLE       | GENERAL MARKET | 1 OF 1       |          |          |