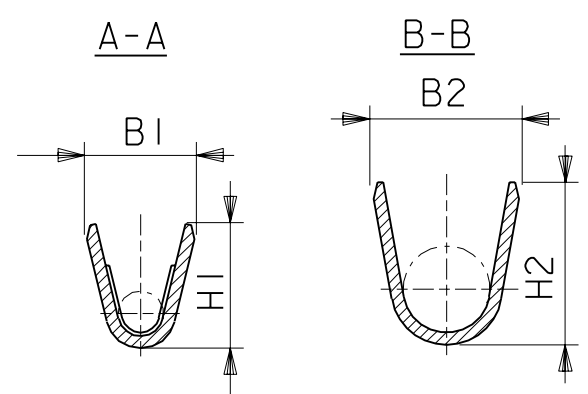
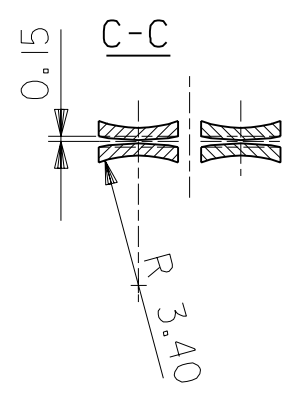
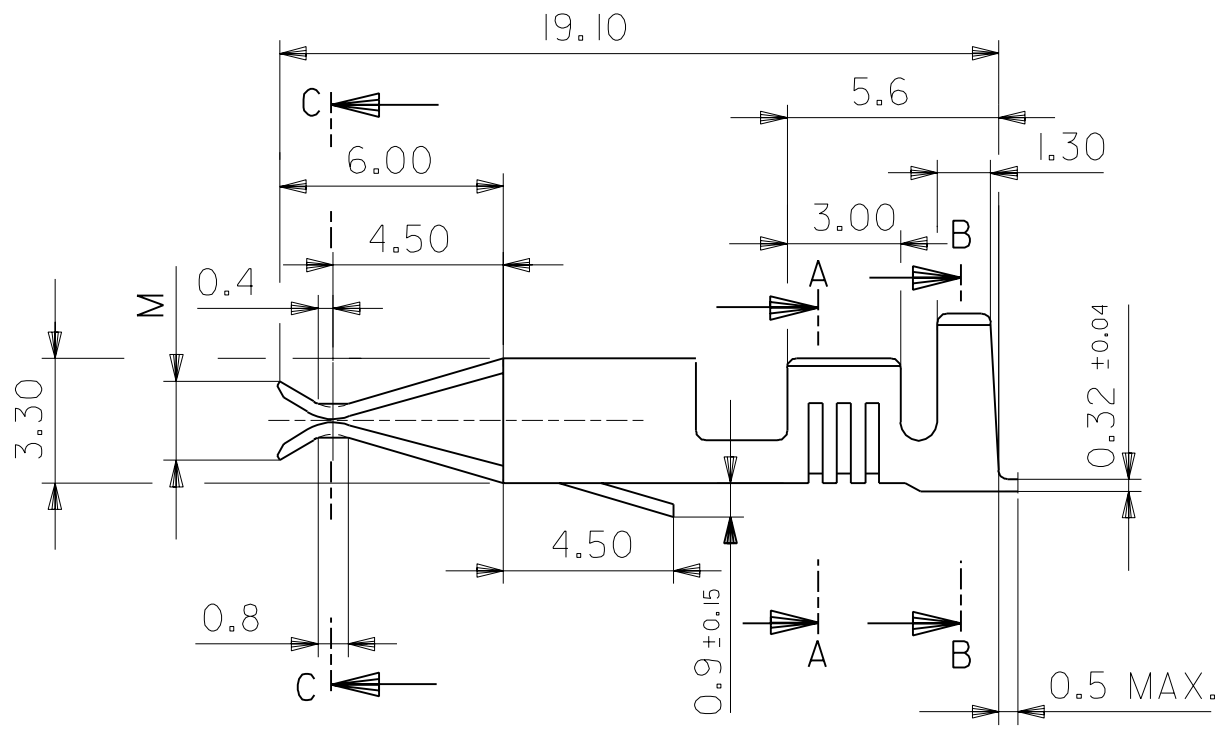
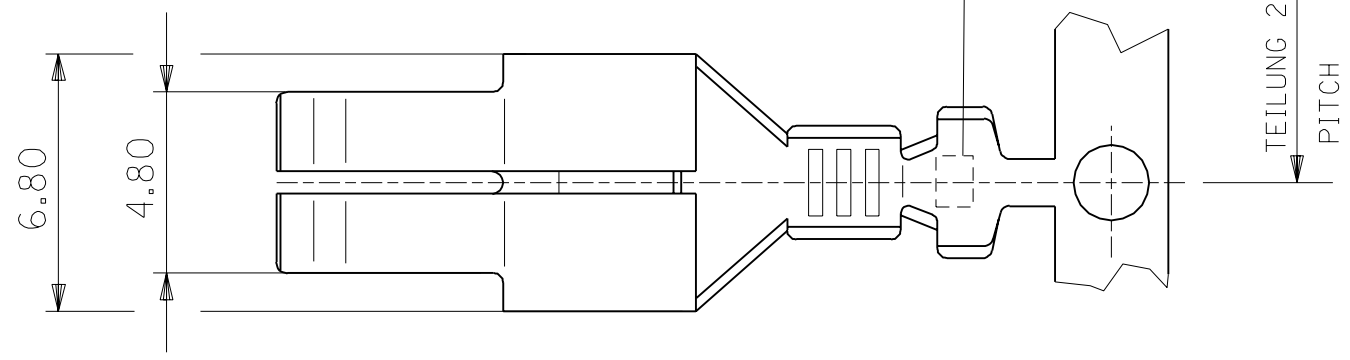


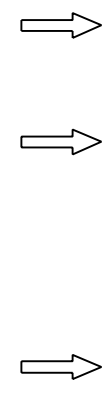
PART NO.
DWG. NO.

TRADEMARK: **MX-C**
(OUTSIDE/AUSSEN)

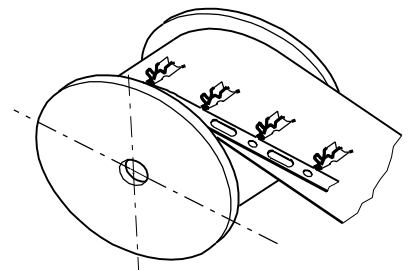
TEILUNG 20.32
PITCH



PART NUMBER TEIL NUMMER	WIRE RANGE DRAHT ISOL. BEREICH		DIM. CRIMP-RANGES DIM. CRIMP-BEREICHE				PARTS/REEL TEILE/ROLLE
	mm ²	∅mm	B1	B2	H1	H2	
90021-01XX	0.5-1.5	2.0-3.3	3.0	4.0	3.25	4.7	2500
90021-02XX	0.5-1.5	1.4-2.3	3.0	3.6	3.25	3.6	3000
90021-03XX	1.0-2.5	2.7-4.3	3.5	4.8	3.85	5.5	2000
90021-04XX	1.0-2.5	1.8-2.9	3.5	4.3	3.85	4.1	2500
90021-05XX	0.5-1.0	1.4-2.3	2.6	3.6	2.8	3.7	2500
90021-06XX	1.0-2.5	1.8-2.9	3.6	4.7	3.8	4.9	2500
90021-07XX	2.5-6.0	3.0-4.5	5.4	6.4	5.8	6.6	2000



FOR REDUCED INSULATION THICKNESS
FUER REDUZIERTE ISOLATIONS-DICKE



NORMAL REELING DIRECTION FOR FINISHED PARTS
NORMALE WICKELRICHTUNG FERTIGTEILE

CODE: PART-NO./TEIL-NR.

XXXXXX - XXXX

- MATERIAL+PLATING/
WERKSTOFF+PLATTIERUNG
- WIRE DIM./DRAHT DIM.
- 0-PARTS ON BANDOLIER / KONTAKTE AM BAND
- 5-LOOSE PARTS / LOSE KONTAKTE
- PRODUCT-BASE-NO./PRODUKT-BASIS-NR.

PART NO. TEILE NR.	MATERIAL/WERKSTOFF	PLATING/PLATTIERUNG	M ± 0.1
90021-XX01	BRASS MESSING	HOT TIN DIP. FEUERVERZINNT	2.4
90021-XX02	PH. BRONZE KUPFER-ZINN-LEGIERUNG	HOT TIN DIP. FEUERVERZINNT	2.4
90021-XX04	COPPER-IRON ALLOY K62 KUPFER-EISEN LEGIERUNG	HOT TIN DIP. FEUERVERZINNT	2.3
90021-XX05	COPPER-IRON ALLOY K62 KUPFER-EISEN LEGIERUNG	HOT TIN DIP. FEUERVERZINNT	2.4

FOR PREVIOUS
DRAWING ISSUES
SEE "EDIS"

ECN MXG 1837
M.MUELHAUSEN
26.10.953

REVISIONS

DIMENSIONS SHOWN (METRIC) INCH		DRWG BY
UNLESS OTHERWISE SPECIFIED TOLERANCES: ANGULAR ± 2°		MMU
3 PLACE	±	CHK'D BY
2 PLACE	±	SCH
1 PLACE	±	APP'D BY
DRAFT WHERE APPLICABLE MUST REMAIN WITHIN DIMENSIONS		APO
DESIGN DIMENSION (PRIMARY)	<input checked="" type="checkbox"/> (MM) <input type="checkbox"/> IN.	SCALE
EQUIVALENT DIMENSION (SECONDARY)	<input type="checkbox"/> (MM) <input type="checkbox"/> IN.	5:1

THIRD ANGLE PROJECTION REVISE ONLY ON CAD SYSTEM

CADCAM FILENAME S90021 DCN	THIS DRAWING CONTAINS INFORMATION THAT IS PROPRIETARY TO MOLEX INC. & SHOULD NOT BE USED WITHOUT WRITTEN PERMISSION	SH.	REV.
TITLE CONTACT MAXI-T		SHEET NO.	DATE
MOLEX EUROPE		1 / 1	16 / 06 / 92
PART NO. SIEHE TABELLE SEE TABLE	DWG NO. SD-90021	SIZE B	