

Customer Information Sheet

DRAWING No.: M80-4S1XXXXFD

IF IN DOUBT - ASK

©

NOT TO SCALE

THIRD ANGLE PROJECTION

ALL DIMENSIONS IN mm

SPECIFICATIONS:

MATERIAL:
 MOULDING = GLASS-FILLED PPS,
 UL94V-0, BLACK
 CONTACT CLIP = BERYLLIUM COPPER
 CONTACT SHELL = COPPER ALLOY
 IOILOK SCREW, COLLAR = STAINLESS STEEL
 SPRING = MUSIC WIRE

FINISH:
 01 = 0.3µm GOLD CLIP,
 3.5-5.0µm TIN/LEAD SHELL
 05 = 0.3µm GOLD CLIP,
 0.25-0.3µm GOLD SHELL
 42 = 0.3µm GOLD CLIP,
 3.5-5.0µm 100% TIN SHELL
 OVER NICKEL

SPRING = TIN

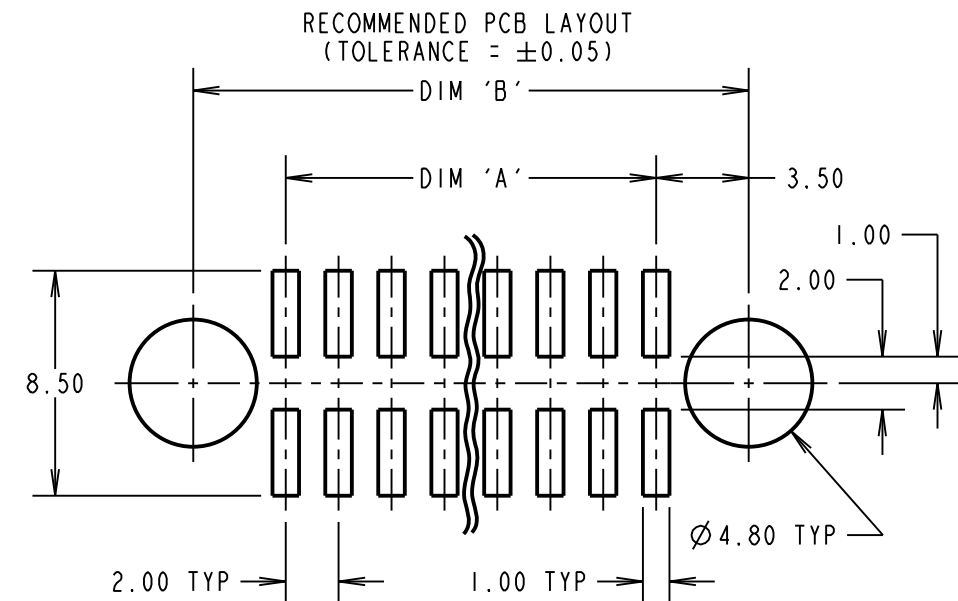
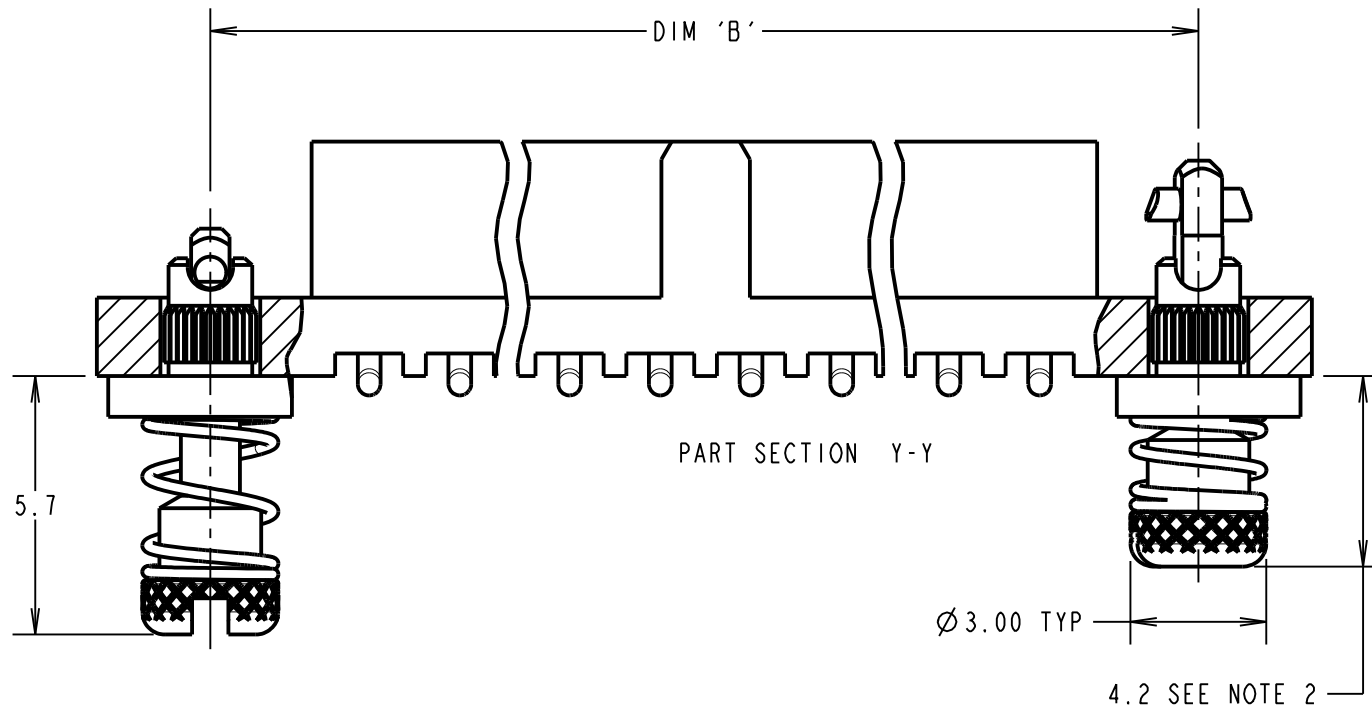
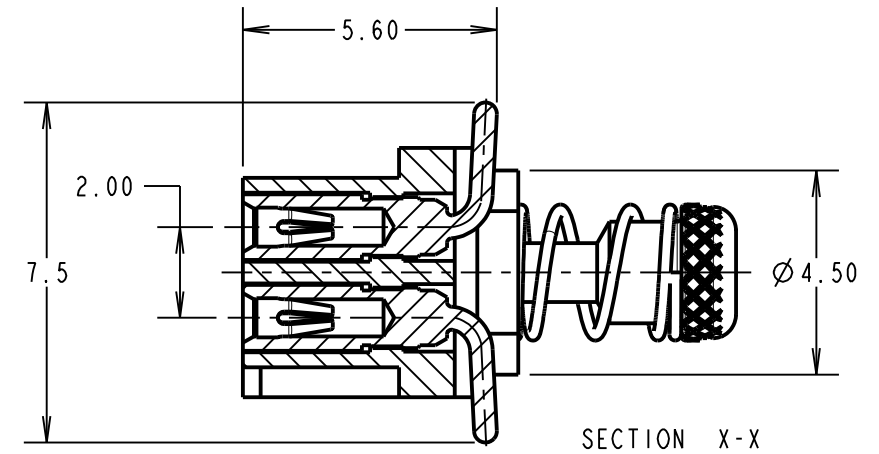
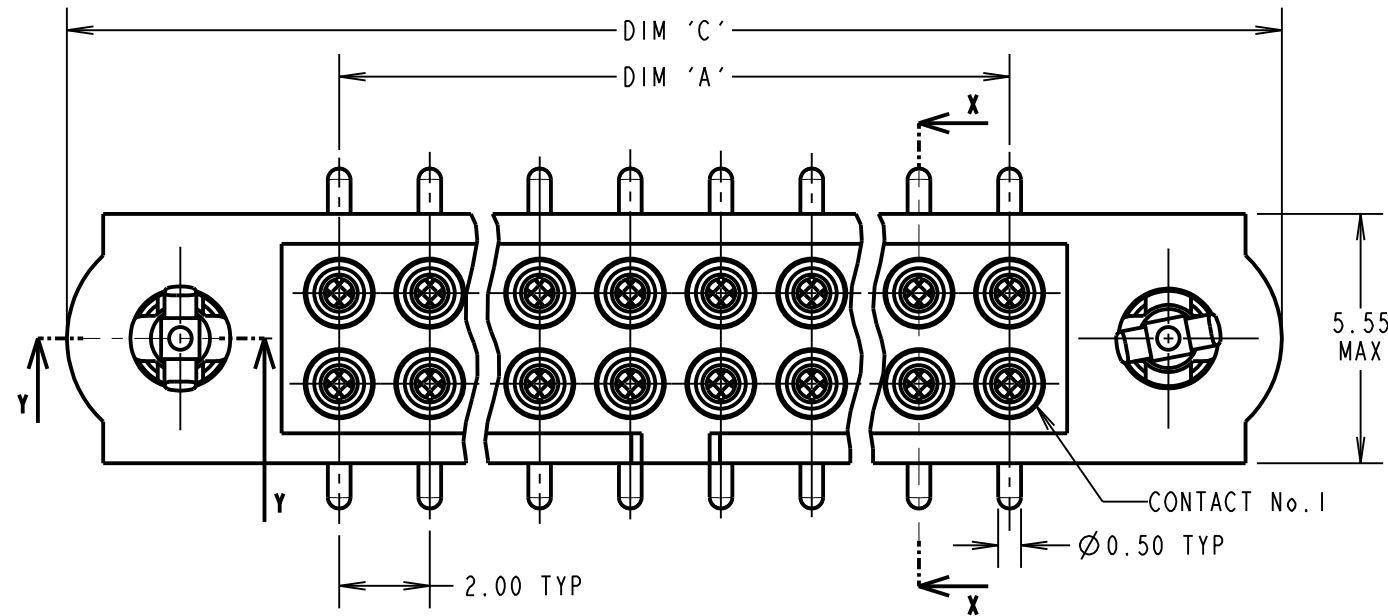
ELECTRICAL:
 CURRENT RATING AT 25°C = 3.0A MAX
 CURRENT RATING AT 85°C = 2.2A MAX
 WORKING VOLTAGE = 800V AC/DC
 VOLTAGE PROOF = 1200V AC/DC
 CONTACT RESISTANCE = 25mΩ MAX
 INSULATION RESISTANCE = 100MΩ MIN

MECHANICAL:
 DURABILITY = 500 OPERATIONS
 INSERTION FORCE:
 (Ø0.5mm GAUGE) = 2.0N MAX
 WITHDRAWAL FORCE:
 (Ø0.5mm GAUGE) = 0.2N MIN

ENVIRONMENTAL:
 TEMPERATURE RANGE = -55°C TO +125°C

PACKING:
 TUBE

FOR COMPLETE SPECIFICATION, SEE
 COMPONENT SPEC C005XX (LATEST ISSUE)



NOTES:

1. SPRING LOAD WHEN SOLID = 2.64N.
 SPRING RATE = 1.32N/mm.
2. LENGTH WILL BE 4.2mm WHEN IOI-SCREWS ARE
 ENGAGED WITH RETAINERS IN MATING CONNECTOR.
3. THIS DRAWING REPLACES DRAWING M80-4S1XXXXFC
 AND REQUIRES LARGER PCB HOLES.

DIMENSION	CALCULATION
DIM 'A'	TOTAL No. OF CONTACTS - 2.00
DIM 'B'	TOTAL No. OF CONTACTS + 5.00
DIM 'C'	TOTAL No. OF CONTACTS + 10.0

EXAMPLE: CONNECTOR WITH 20 CONTACTS, GOLD CLIP AND
 100% TIN OVER NICKEL SHELL, M80-4S12042FD

DIM 'A' = 18.00mm, DIM 'B' = 25.00mm, DIM 'C' = 30.0mm

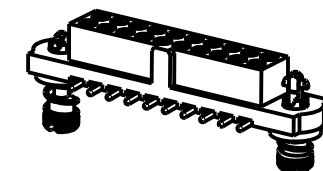
ORDER CODE:

M80-4S1XXXXFD

TOTAL No. OF CONTACTS
 04 TO 50
 (EVEN NUMBERS ONLY)

FINISH CODE

01 - GOLD CLIP, TIN/LEAD SHELL
 05 - GOLD CLIP, GOLD SHELL
 42 - GOLD CLIP, 100% TIN OVER NICKEL SHELL



MGP	1	12.03.19	21834
NAME	ISS.	DATE	C/NOTE
APPROVED: MGP			
CHECKED: SB			
DRAWN: M G PLESTED			
CUSTOMER REF.:			
ASSEMBLY DRG:			

HARWIN

www.harwin.com
 technical@harwin.com

THIS DRAWING AND ANY
 INFORMATION OR DESCRIPTIVE
 MATTER SET OUT HEREON ARE
 CONFIDENTIAL AND COPYRIGHT
 PROPERTY OF THE HARWIN
 GROUP AND MUST NOT BE
 DISCLOSED, LOANED, COPIED
 OR USED FOR MANUFACTURING,
 TENDERING OR FOR ANY
 OTHER PURPOSE WITHOUT
 THEIR WRITTEN PERMISSION.

TOLERANCES
 X. = ±1mm
 X.X = ±0.50mm
 X.XX = ±0.20mm
 X.XXX = ±0.01mm
 ANGLES = 2±5°
 UNLESS STATED

MATERIAL:
 SEE ABOVE
FINISH: SEE ABOVE
S/AREA: mm²

TITLE: DATAMATE J-TEK
 FEMALE VERTICAL SMT ASSY
 WITH IOILOK JACKSCREWS

DRAWING NUMBER:
M80-4S1XXXXFD

SHT
 2 OF 2