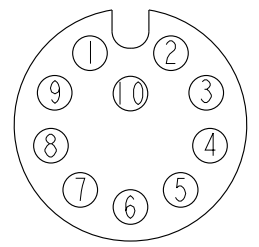
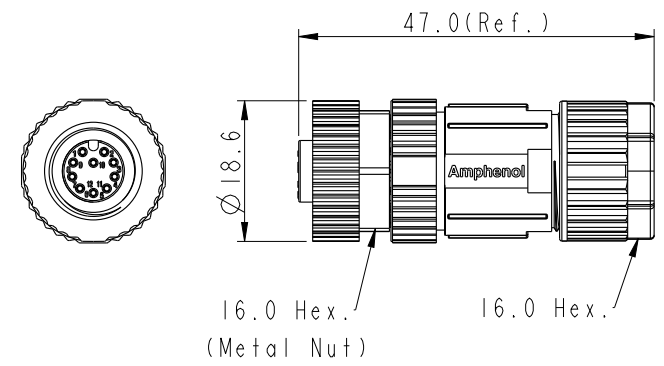
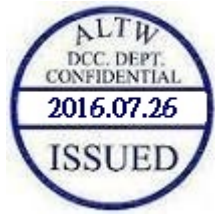
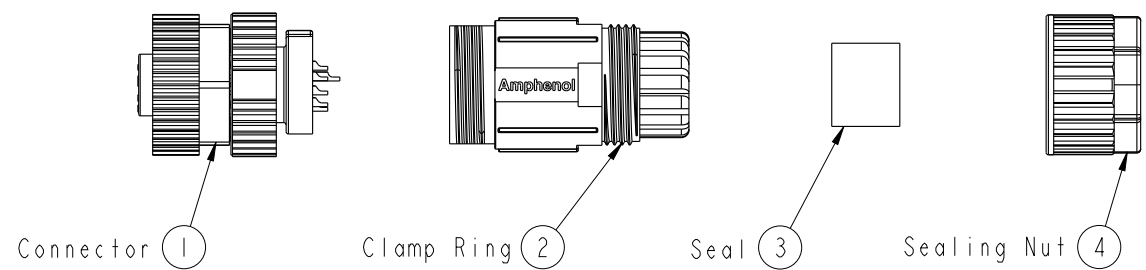
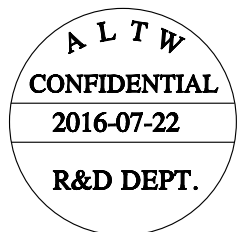


THIS DOCUMENT IS SUBJECT TO CHANGE WITHOUT NOTICE. IT IS CONFIDENTIAL AND A PROPERTY OF Amphenol LTW. DISCLOSURE TO THIRD PARTY HAS TO BE AUTHORIZED BY Amphenol LTW.

REV.	ECN NO.	DATE	SIGN	DESCRIPTION
B	LEN1670552	2016/07/22	Yulong_wang	Change the Note.



Pin Assignments  
Front View

- Note:
- \*  $\text{⌀}$  Important Dimension To Check.
  - \* Waterproof Rate: IP67
  - \* Housing: Nylon, Black
  - \* Female Pin: Copper Alloy, Gold Plated
  - \* Nut: PBT+PC, Black.
  - \* Female Nut: Zinc Alloy, Nickel Plated.
  - \* O-Ring: Silicone, Grey.
  - \* Clamp Ring: Nylon, Black.
  - \* Sealing Nut: PBT+PC, Black.
  - \*  $\triangle B$  Seal: Silicone, Grey.
  - \* Seal For Cable OD:  $\text{⌀}4.0\text{mm} \sim \text{⌀}8.0\text{mm}$ .
  - \* Applicable Wire gauge (Stranded wire cross section) 26AWG~24AWG
  - \* Mating Recommended tightening torque: 3~4 kgf.cm / 0.29~0.39 N.m
  - \* Sealing-Nut Recommended tightening torque: 4~6 kgf.cm / 0.39~0.59 N.m
  - \* Detailed applicable wire specifications may vary depending on the actual wire construction.

UNIT:mm		
TOLERANCE	.X	$\pm 0.25$
	.XX	$\pm 0.1$
	.XXX	$\pm 0.05$
ANGLES		$\pm 1^\circ$

TITLE M12A Unshielded Assy 10Pin F Conn. F Pin			
SCALE 1:1	SIZE A4	SHEET 1 OF 1	
REV. B	WC-REV. A.3	$\text{⌀}$ : Inspection item	

**Amphenol LTW**  
安費諾亮泰企業股份有限公司

ITEM NO. M12A-10BFFA-SL7001	DRAWN BY Yulong_wang	DATE 2016-07-22
DWG NO. M12A-10BFFA-SL7001	CHECKED BY Jinhai	DATE 2016-07-22
CUSTOMER ALTW	APPROVED BY Jerry	DATE 2016-07-22