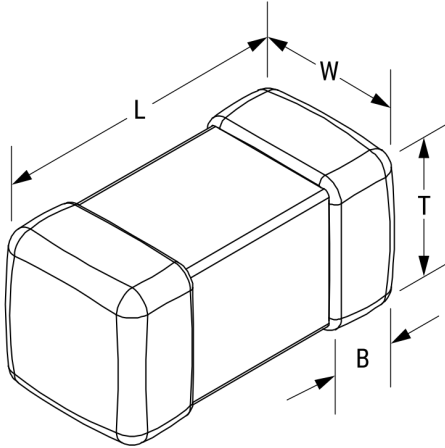


L0805CR47JRMST

Aliases (L0805CR47JRMST)

Obsolete

KEMET, L-RMS, RF, 0.47 uH, 5%



Click [here](#) for the 3D model.

Dimensions

Chip Size	0805
L	2mm +0.3/-0.1mm
W	1.25mm +/-0.2mm
T	1mm +0.2/-0.3mm
LL	0.5mm +/-0.3mm
B	0.5mm +/-0.3mm

Packaging Specifications

Packaging	T&R
Packaging Quantity	3000

General Information

Series	L-RMS
Style	SMD Chip
Description	Surface Mount Inductor
RoHS	Yes
Core	Ceramic
Winding Type	Multilayer

Specifications

Inductance	0.47 uH
Inductance Tolerance	5%
Temperature Range	-40/+85°C
Current	300 mAmps (MAX)
DC Resistance	1.5 Ohms
Quality Factor	17 at 100 MHz
Self-Resonant Frequency	200 MHz

Statements of suitability for certain applications are based on our knowledge of typical operating conditions for such applications, but are not intended to constitute - and we specifically disclaim - any warranty concerning suitability for a specific customer application or use. This Information is intended for use only by customers who have the requisite experience and capability to determine the correct products for their application. Any technical advice inferred from this Information or otherwise provided by us with reference to the use of our products is given gratis, and we assume no obligation or liability for the advice given or results obtained.