

D

C

B

A

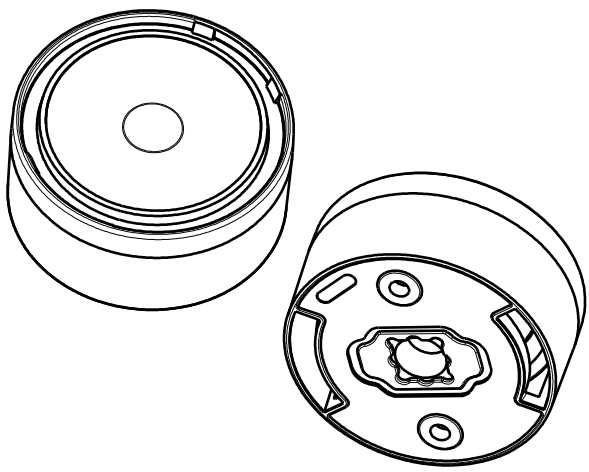
4

3

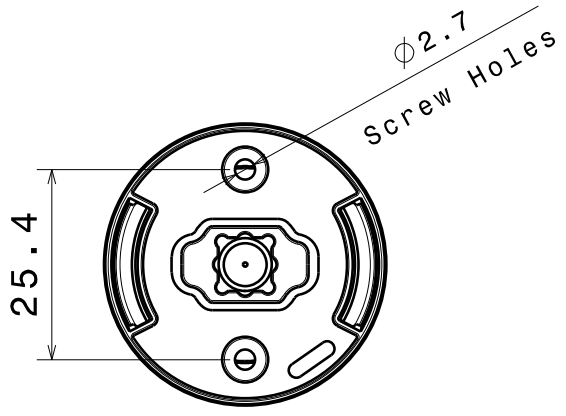
2

1

1

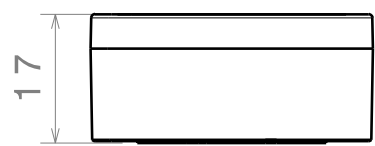


Isometric view



Ø2.7
Screw Holes

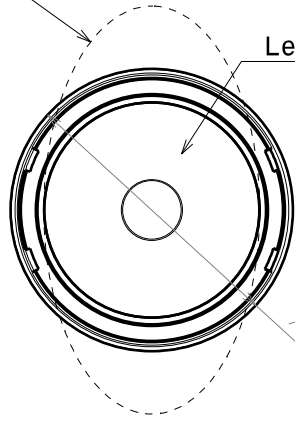
25.4



17

Front view

Oval beam direction



Lens

Ø37.7

Top view

Materials:
 Lens PMMA
 Holder PC, BLACK

This drawing is our property.
 It can't be reproduced
 or communicated without
 our written agreement.



Ledil Oy
 Tehdaskatu 13
 FIN-24100 SALO
 Finland

DRAWING TITLE

Datasheet EVA-LUXEON-M Assembly

DRAWN BY
mav

DATE
12.4.2012

CHECKED BY
sn

DATE
12.4.2012

SIZE
A4

DRAWING NUMBER

REV
1

DESIGNED BY
pl

DATE
17.02.2011

SCALE 2:1

WEIGHT (g)

SHEET

1 / 1

D

A