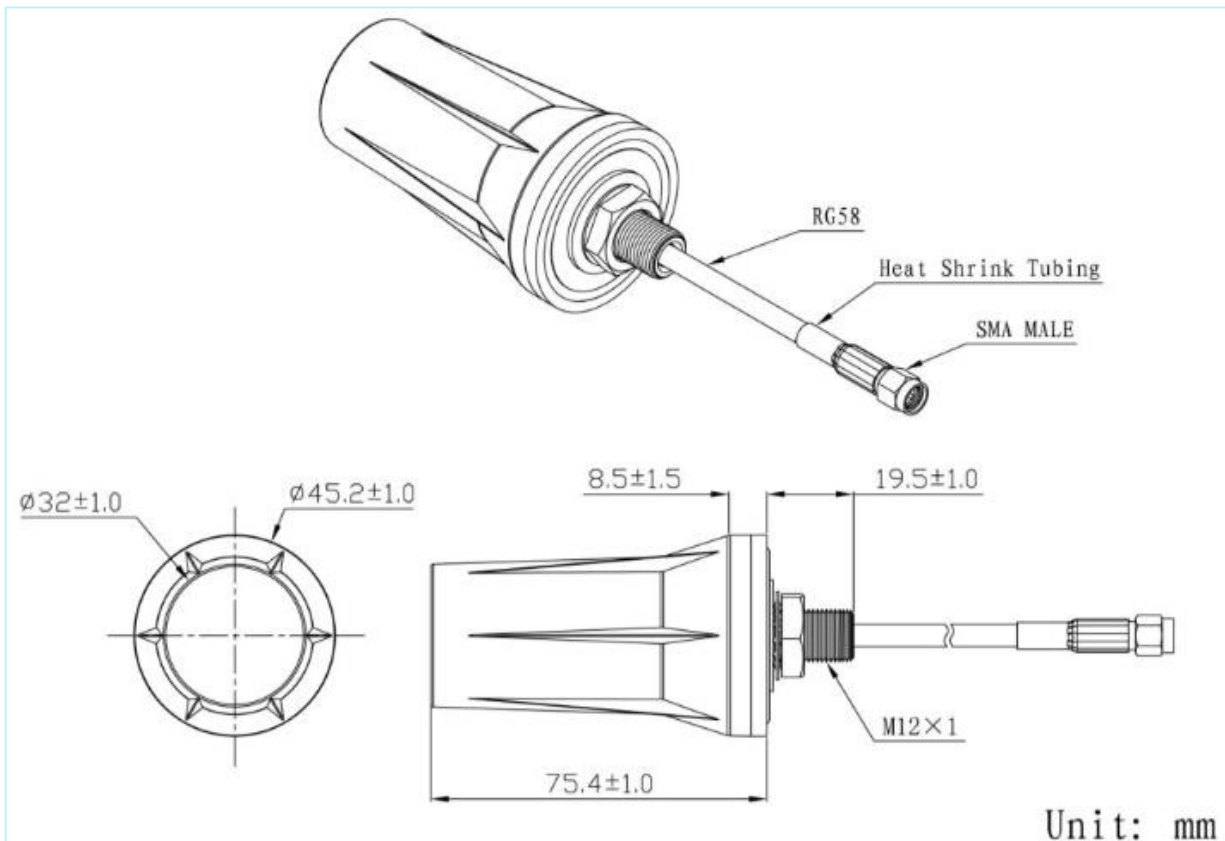


4G/3G/LTE Antenna 900/1800/2100 MHz Cylinder Screw
Mounting

AN_GSM_023L



Mechanical dimension





4G/3G/LTE Antenna 900/1800/2100 MHz Cylinder Screw Mounting

Specifications

| Item | Specifications | |
|---------------|--------------------------|--|
| Antenna | Frequency Range | 698~960/1710~2690MHz |
| | Polarization | Linear |
| | Gain | 2dBi (Zenith) |
| | V.S.W.R | ≤3.0 |
| | Impedance | 50Ω |
| Mechanical | Cable | 5 meters |
| | Connector | SMA |
| | Radome Material | ABS |
| | Mounting Method | Screw |
| Environmental | Operating Temperature | -40°C~+85°C |
| | Relative Humidity | Up to 95% |
| | Vibration | 10 to 55Hz with 1.5mm amplitude 2hours |
| | Environmentally Friendly | ROHS Compliant |

4G/3G/LTE Antenna 900/1800/2100 MHz Cylinder Screw Mounting

Radiation Patterns

