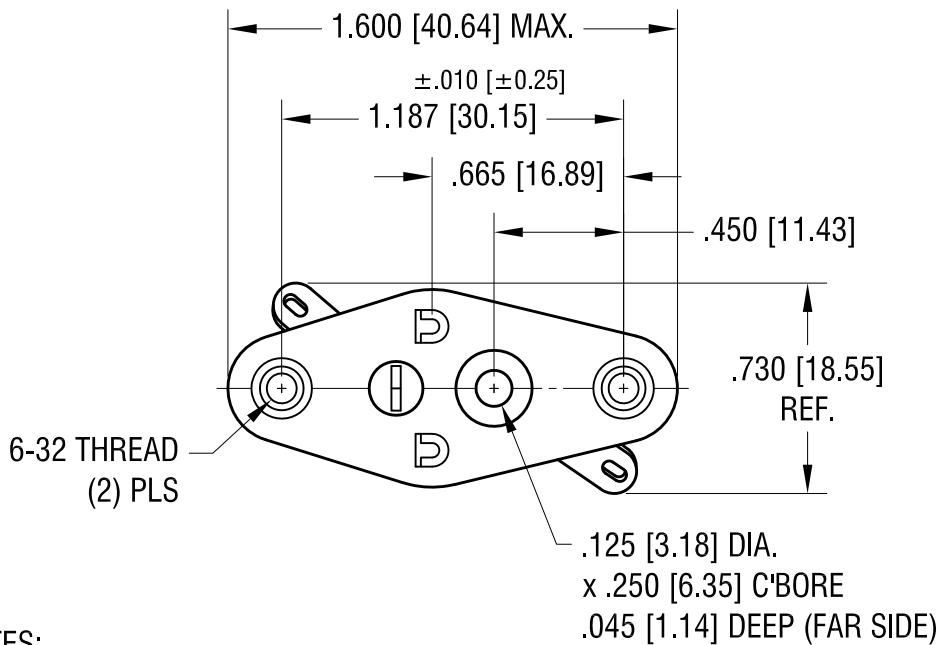
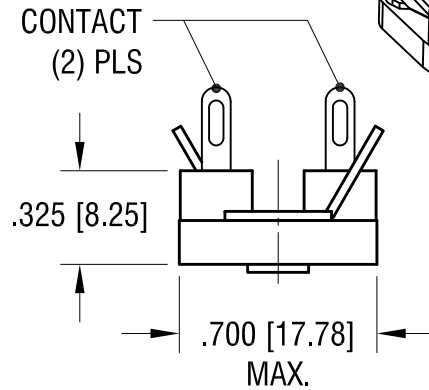
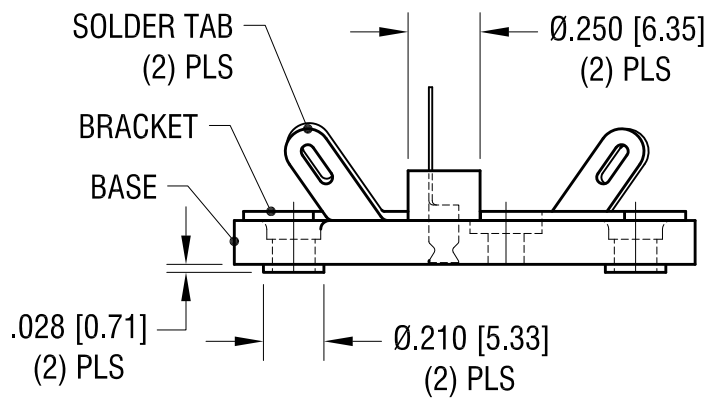
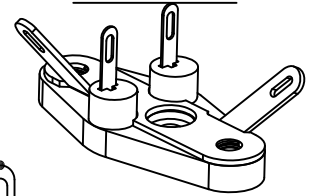


THIS DOCUMENT IS THE PROPERTY OF
KEYSTONE ELECTRONICS CORP. AND
SHALL NOT BE REPRODUCED, DISTRIBUTED
OR USED AS A BASIS FOR MANUFACTURE
WITHOUT PRIOR WRITTEN PERMISSION
FROM KEYSTONE ELECTRONICS CORP.

ACTUAL SIZE



NOTES:

BASE, INSULATING:
MAT'L - PBT (BLACK COLOR) UL 94V-0

BRACKET, MOUNTING:
MAT'L - .032 [0.81] TH'K BRASS
FINISH - TIN PLATE

CONTACT: (FOR .040 DIA. LEADS)
MAT'L - .012 [0.30] TH'K BRASS
FINISH - TIN PLATE

DATE	DESCRIPTION	REV.
3.24.15	BASE MAT'L WAS POLYESTER CHANGE AS PER ECN15-037	B
5.18.04	CHANGE AS PER ECN 04-038	A

KEYSTONE ELECTRONICS CORP.			
www.keyelco.com • NEW HYDE PARK, NY 11040 • Tel (516) 328-7500			
PART NAME TO-3 DUAL TAB TRANSISTOR SOCKET			
MATERIAL AS NOTED			
FINISH AS NOTED		DRN BY BOONE	DATE 10.08.82
		APP'D LN	SCALE 1.5X
TOLERANCES	INCH [MM]	CODE	DWG NO.
DECIMAL	± .005 [± 0.13]	C	4516
ANGULAR	± 1°		
UNLESS OTHERWISE SPECIFIED			