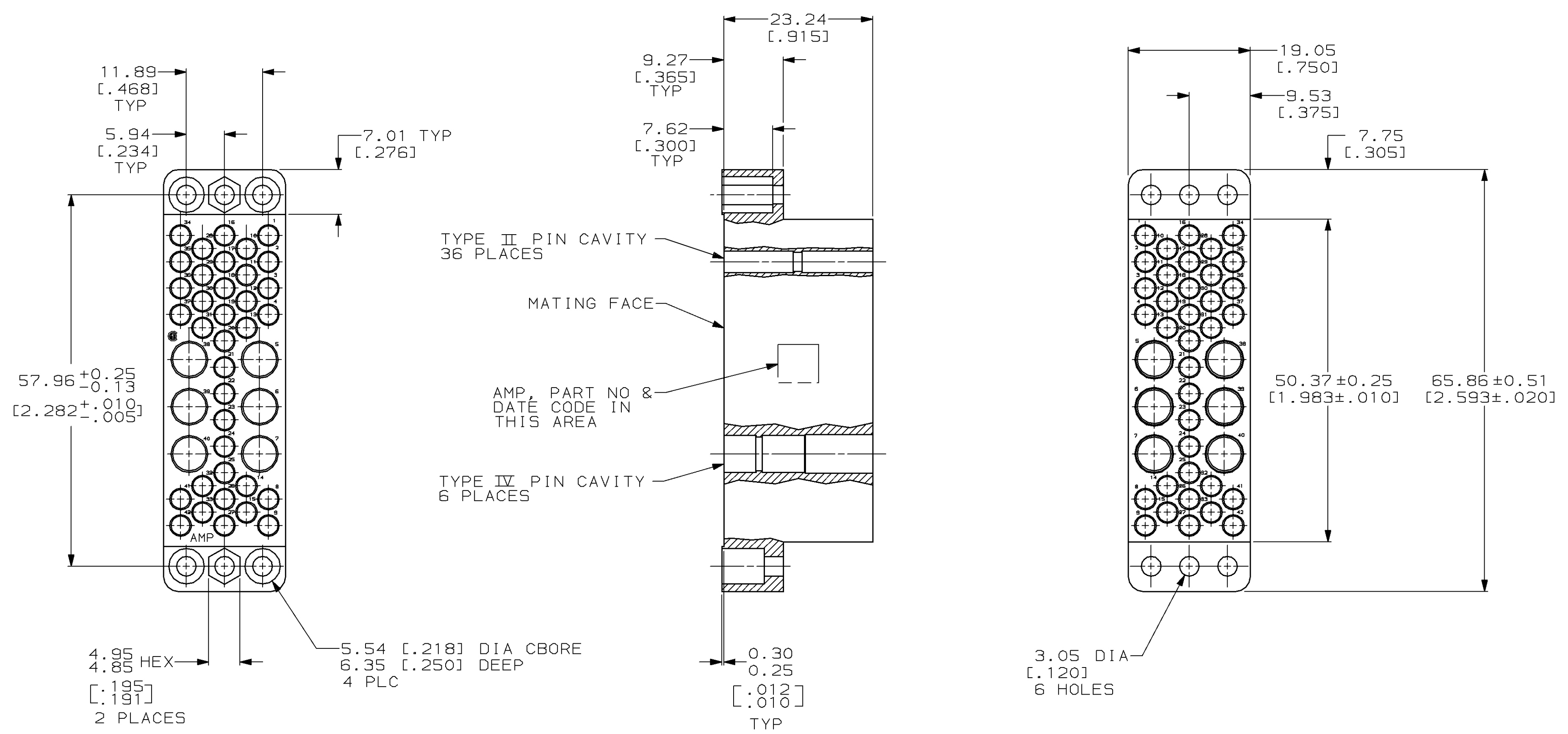


M		Loc	DIST	REVISIONS			
P	F	ZONE	LTR	DESCRIPTION	DATE	APPD	
25	BD	36		B	REVISED & REDRAWN PER BD2996	08/01/89	-
				C	OBS -3 PER EC 0020-0186-94	03/11/94	GS



- ① PHENOLIC PER MIL-M-14, TYPE MFH, BLACK.
- ② DIALLYL PHTHALATE PER MIL-M-14, TYPE SDG-F, BLUE.
- ③ DIALLYL PHTHALATE PER MIL-M-14, TYPE SDG-F, GREEN.

	MATERIAL	PART NO
OBSOLETE	③	204186-5
OBSOLETE	②	204186-3
OBSOLETE	①	204186-1

DO NOT SCALE PRINT. UNLESS SPECIFIED DIMENSIONS IN mm [INCHES] TOLERANCES ON: 2 PLC DEC ± 0.13 [0.005] 3 PLC DEC ± - ANGLES ± -	DR 08/01/89 L.SIPE CHK 8-7-89 J.McCLINTON APPD 8-7-89 R.WALTER APPD 8-7-89 D.SUMMERS	<b>AMP</b> AMP INCORPORATED Harrisburg, Pa. 17105 NAME PLUG BLOCK, MALE, 42 POSN, MINI, M SERIES		
MATERIAL SEE TABLE	PRODUCT SPEC -			
FINISH -	APPLICATION SPEC -	SIZE <b>C</b>	CAGE CODE 00779	DRAWING NO 204186
WEIGHT -		SCALE 2:1	SHEET 1 OF 1	