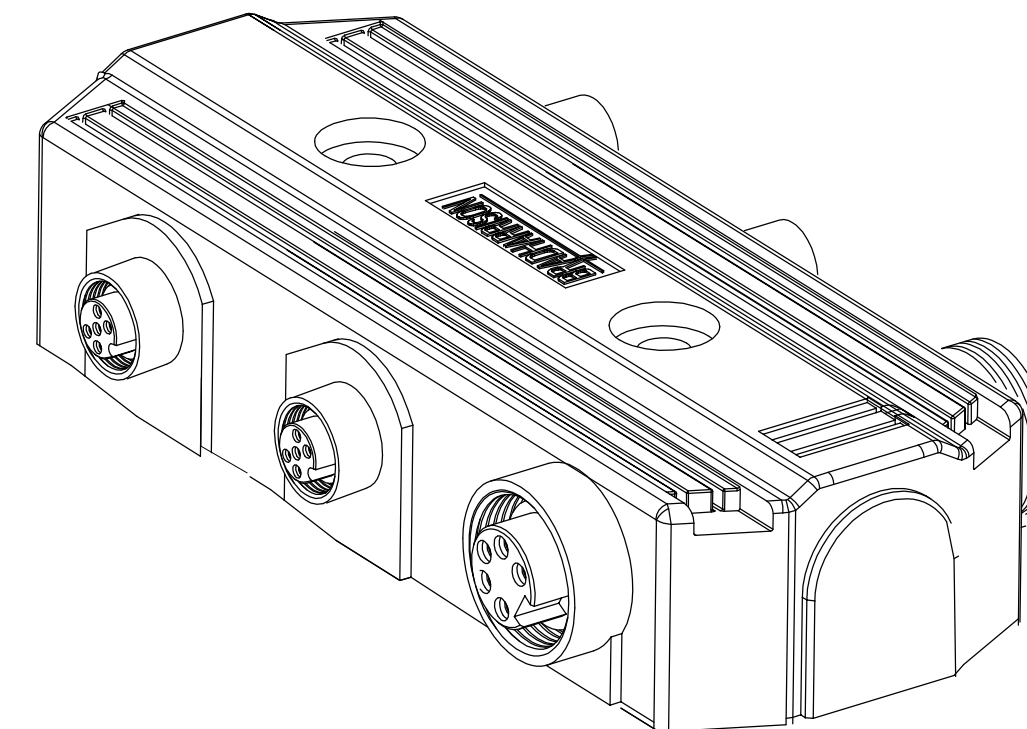
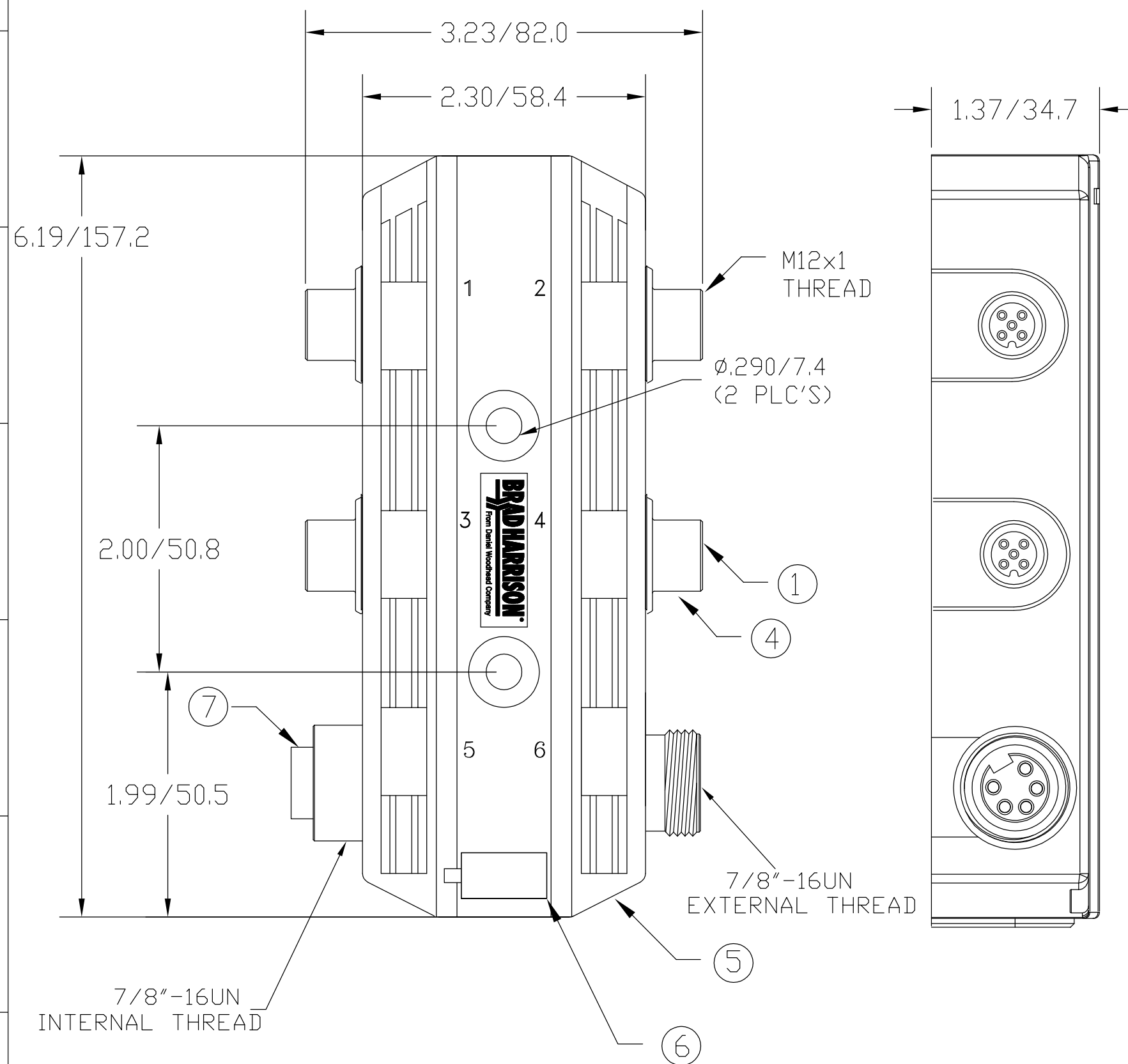
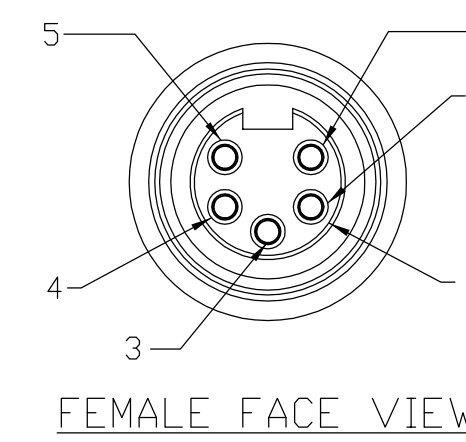
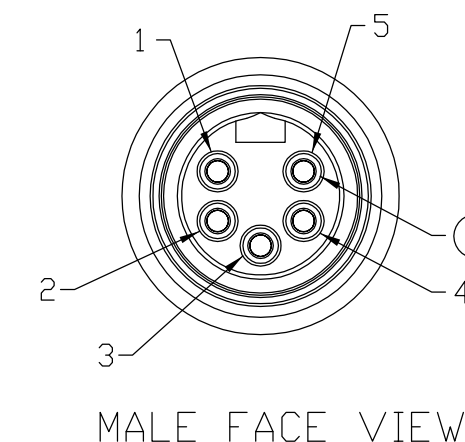
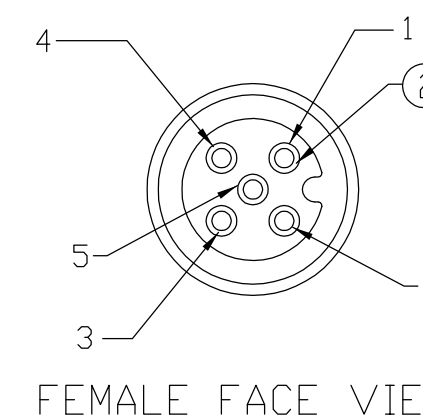
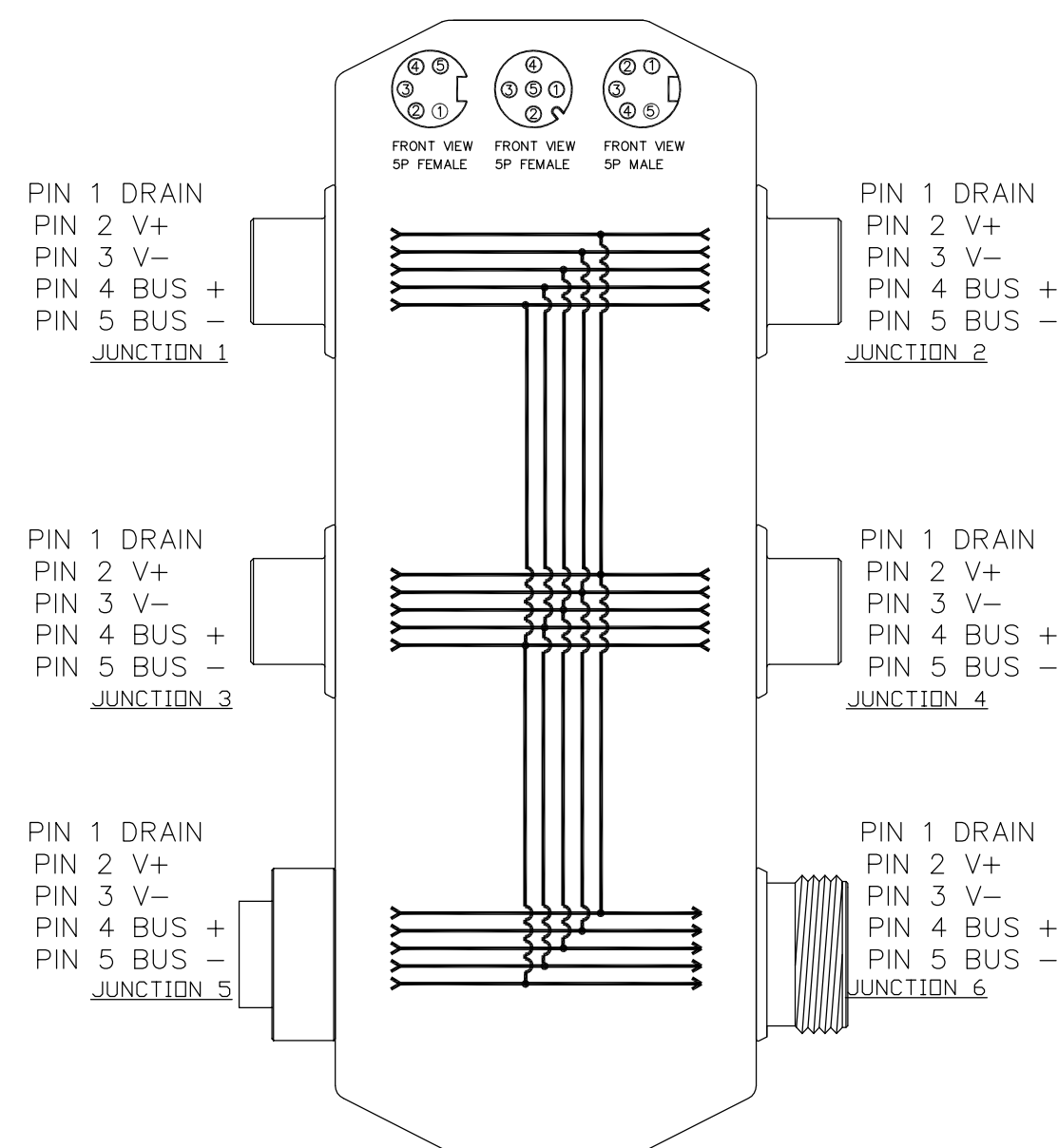


MATERIAL NUMBER	OLD PART NUMBER
130036-0012	DND4100



**SCHEMATIC**



VOLTAGE RATING	120 VAC/VDC
AMPERAGE RATING	7 AMPS
PROTECTION	IP67
OPERATING TEMPERATURE	0°C TO 60°C

ITEM	COMPONENT	MATERIAL	FINISH
1	INSERT	NYLON	BLACK
2	CONTACT SOCKET	COPPER ALLOY	GOLD OVER NICKEL
3	CONTACT PIN	COPPER ALLOY	GOLD OVER NICKEL
4	RECEPTACLE SHELL	ZINC DIE CAST	BLACK E-COATED
5	HOUSING	PBT	BLACK
6	LABEL	ABS	WHITE
7	INSERT	PVC	GRAY
	POTTING MATERIAL	EPOXY	BLACK

<b>RLSD DRAWING</b> EC NO: WNA2010-0020 DRWN: BWOODMAN 7/9/09 CH'KD: JM APPR: JFMURPHY 2009/07/20 A	DESCRIPTION REV	<b>QUALITY SYMBOL</b> $\nabla=0$ $\sphericalangle=0$	<b>GENERAL TOLERANCES (UNLESS SPECIFIED)</b> <table border="1"> <tr> <td></td> <td>mm</td> <td>INCH</td> </tr> <tr> <td>4 PLACES</td> <td>±----</td> <td>±----</td> </tr> <tr> <td>3 PLACES</td> <td>±----</td> <td>±----</td> </tr> <tr> <td>2 PLACES</td> <td>±----</td> <td>±.01</td> </tr> <tr> <td>1 PLACE</td> <td>±0.3</td> <td>±----</td> </tr> </table>		mm	INCH	4 PLACES	±----	±----	3 PLACES	±----	±----	2 PLACES	±----	±.01	1 PLACE	±0.3	±----	<b>DIMENSION STYLE</b> IN/MM DRAWN BY: <b>BW</b> DATE: <b>2009/07/08</b> CHECKED BY: <b>TW</b> DATE: <b>2009/07/08</b> APPROVED BY: _____ DATE: _____	SCALE: _____ DESIGN UNITS: _____ THIRD ANGLE PROJECTION
			mm	INCH																
		4 PLACES	±----	±----																
		3 PLACES	±----	±----																
2 PLACES	±----	±.01																		
1 PLACE	±0.3	±----																		
ANGULAR ±----° <b>DRAFT WHERE APPLICABLE MUST REMAIN WITHIN DIMENSIONS</b>			<b>SEE CHART</b>	<b>MOLEX INCORPORATED</b>																
MATERIAL NO. _____ <b>SIZE C</b>			DOCUMENT NO. <b>SD-130036-009</b>	SHEET NO. <b>1 OF 1</b>																
THIS DRAWING CONTAINS INFORMATION THAT IS PROPRIETARY TO MOLEX INCORPORATED AND SHOULD NOT BE USED WITHOUT WRITTEN PERMISSION																				