

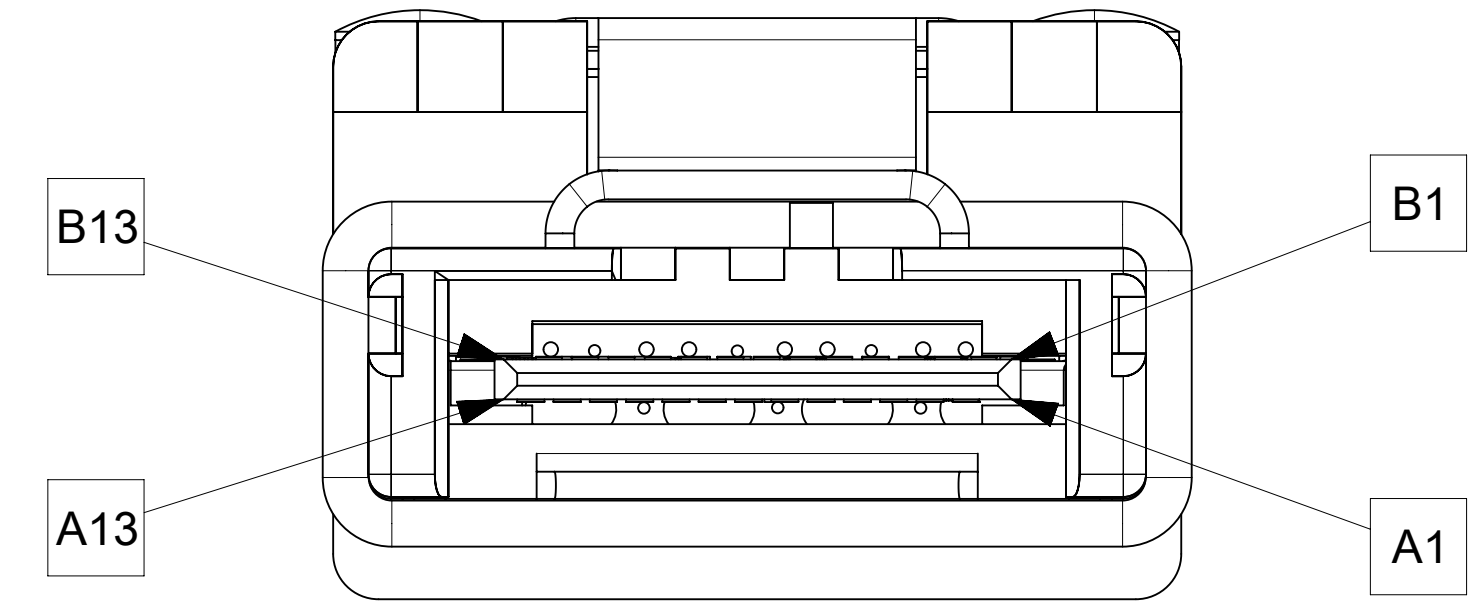
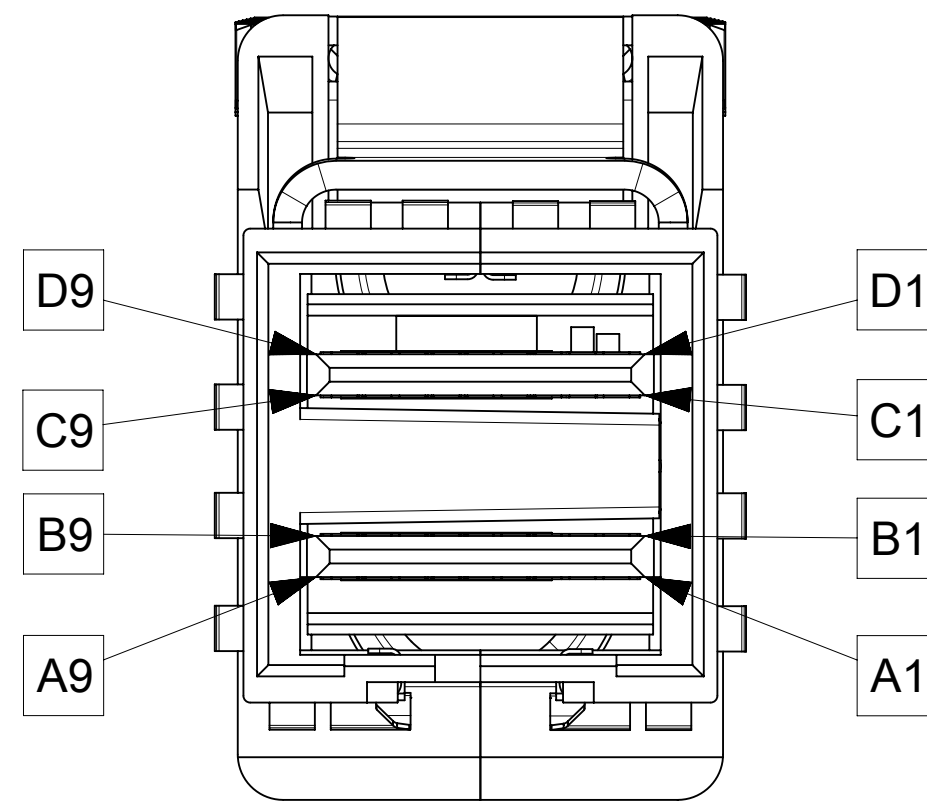
- NOTES:
- MATERIAL=
 - BACKSHELLS - ZINC DIECAST.
 - LATCH - STAINLESS STEEL.
 - PULL - MOLDED PLASTIC.
 - LENGTH= SEE TABLE.
 - ELECTRICAL PERFORMANCE PER SAS 2.1.
 - ALL ASSEMBLIES HAVE AN EEPROM IN ACCORDANCE WITH SFF 8636.
 - LEAD FREE, NO RoHS EXEMPTIONS.
 - PROTECTIVE DUST CAP TO BE INSTALLED ONTO EACH PLUG.
 - TAPE CABLE BUNDLES EVERY 1/2 METER (APPROX) USING (BLACK) TAPE.

MOLEX P/N	DESCRIPTION	LENGTH (M)	TOLERANCE ±(mm)	KEY	IDENTIFER	GAGE
1110683203	X4 MINISAS 2.0 TO MINISAS HD 2.1	3.0	100	2'4'6	UNIVERSAL KEY, SAS	28

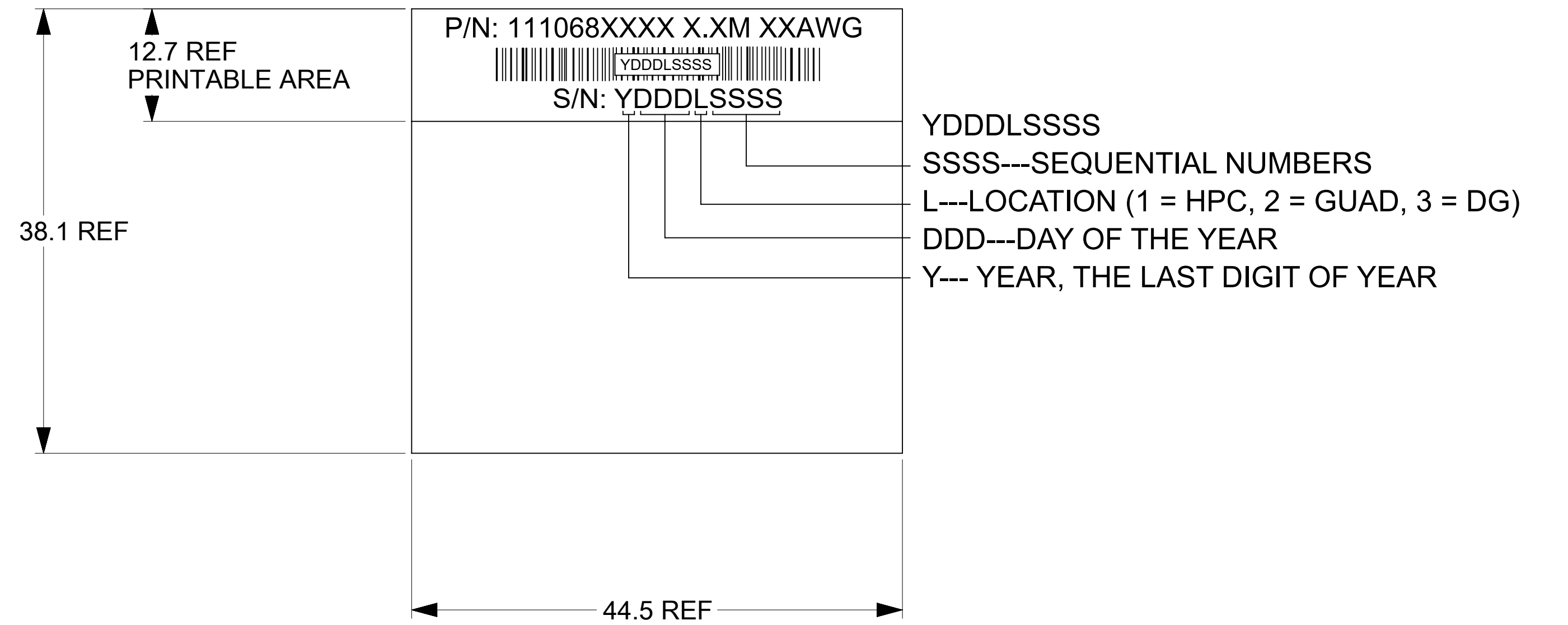
THIS DRAWING CONTAINS INFORMATION THAT IS PROPRIETARY TO MOLEX ELECTRONIC TECHNOLOGIES, LLC AND SHOULD NOT BE USED WITHOUT WRITTEN PERMISSION AS PER PCN#506884

DIMENSION UNITS	SCALE	CURRENT REV DESC: OBSOLETE PART NUMBERS AS PER PCN#506884	molex		
mm	1.75:1				
GENERAL TOLERANCES (UNLESS SPECIFIED)			MINISAS HD TO MINISAS 4X CABLE ASSEMBLIES EXTERNAL		
	MM	INCH	PRODUCT CUSTOMER DRAWING		
4 PLACES	±	±	DOCUMENT NUMBER		
3 PLACES	±	±	DOC TYPE		
2 PLACES	± 0.13	±	DOC PART		
1 PLACE	± 0.25	±	REVISION		
0 PLACES	±	±	SD-111068-3200		
ANGULAR TOL	± 2.0 °		PSD	001	G
DRAFT WHERE APPLICABLE MUST REMAIN WITHIN DIMENSIONS		THIRD ANGLE PROJECTION	DRAWING	SERIES	SHEET NUMBER
			D-SIZE	111068	1 OF 4
			MATERIAL NUMBER	CUSTOMER	
			SEE TABLE	GENERAL MARKET	

MINISAS HD WIRING CHART			
-P1-		-P2-	
GND	D9 A1	GND
Tx2-	D8	→ A9	Rx2-
Tx2+	D7	→ A8	Rx2+
GND	D6 A7	GND
Tx0-	D5	→ A3	Rx0-
Tx0+	D4	→ A2	Rx0+
GND	D3		
Vman	D2	EEPROM	
Vact	D1		
SCL	C1		
SDA	C2		
GND	C3		A4
Tx1+	C4	→ A5	Rx1+
Tx1-	C5	→ A6	Rx1-
GND	C6 A10	GND
Tx3+	C7	→ A11	Rx3+
Tx3-	C8	→ A12	Rx3-
GND	C9 A13	GND
GND	B9 B1	GND
Rx2-	B8	← B9	Tx2-
Rx2+	B7	← B8	Tx2+
GND	B6 B7	GND
Rx0-	B5	← B3	Tx0-
Rx0+	B4	← B2	Tx0+
GND	B3	NC	
ModPrsl	B2	NC	
Vact	B1	NC	
Rev	A1	NC	
IntL	A2	NC	
GND	A3 B4	GND
Rx1+	A4	← B5	Tx1+
Rx1-	A5	← B6	Tx1-
GND	A6 B10	GND
Rx3+	A7	← B11	Tx3+
Rx3-	A8	← B12	Tx3-
GND	A9 B13	GND



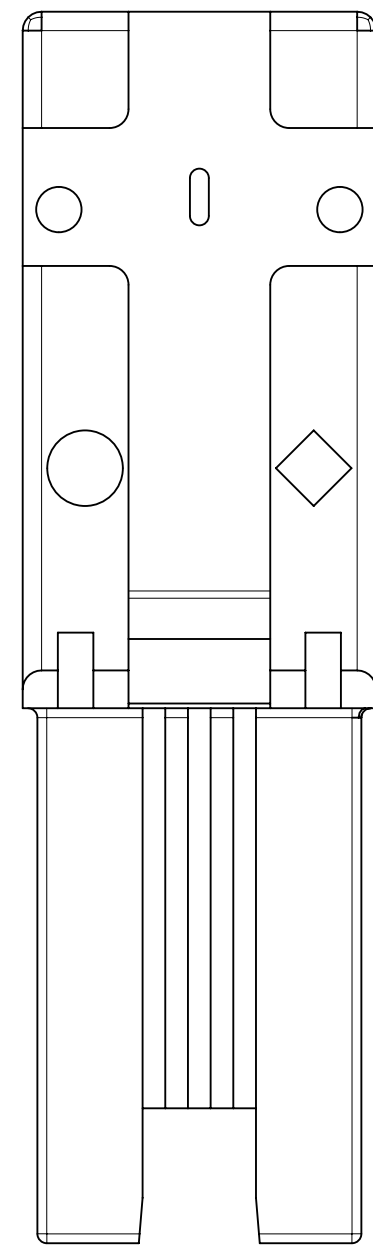
ID LABEL TEXT



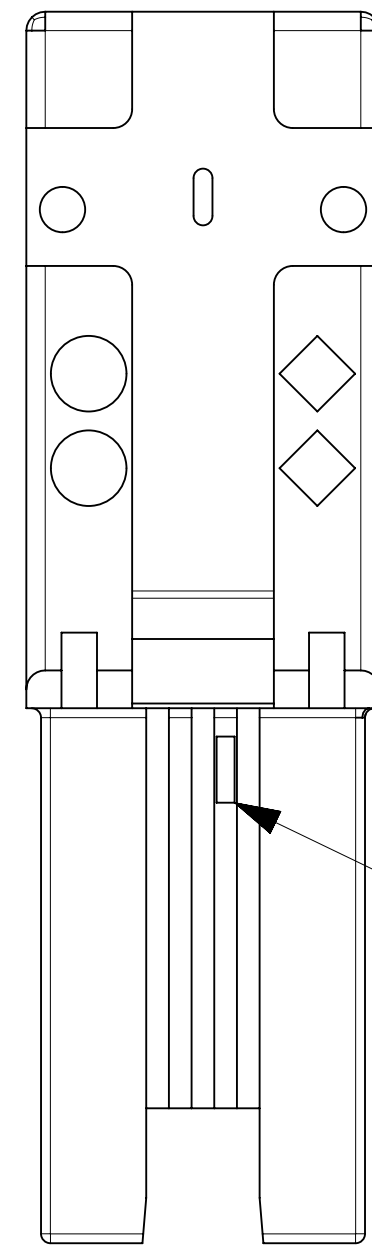
EEPROM CONNECTIONS

VACT = WRITE PROTECT
 SCL = CLOCK SIGNAL
 SDA = DATA SIGNAL
 GND = GROUND

THIS DRAWING CONTAINS INFORMATION THAT IS PROPRIETARY TO MOLEX ELECTRONIC TECHNOLOGIES, LLC AND SHOULD NOT BE USED WITHOUT WRITTEN PERMISSION											
DIMENSION UNITS		SCALE		CURRENT REV DESC: OBSOLETE PART NUMBERS AS PER PCN#506884						molex	
mm		5:1									
GENERAL TOLERANCES (UNLESS SPECIFIED)				EC NO: 662770		2021/03/26		MINISAS HD TO MINISAS 4X CABLE ASSEMBLIES EXTERNAL			
4 PLACES ±		±		DRWN: SUGEEB		2021/06/02					
3 PLACES ±		±		CHK'D: GGA		2021/06/02		PRODUCT CUSTOMER DRAWING			
2 PLACES ±		0.13 ±		APPR: GGA		2021/06/02					
1 PLACE ±		0.25 ±		INITIAL REVISION:				DOCUMENT NUMBER: SD-111068-3200 DOC TYPE: PSD DOC PART: 001 REVISION: G			
0 PLACES ±		±		DRWN: BREED		2010/12/10					
ANGULAR TOL ±		2.0 °		APPR: RMKHAN		2011/07/24		MATERIAL NUMBER: SEE TABLE CUSTOMER: GENERAL MARKET SHEET NUMBER: 2 OF 4			
DRAFT WHERE APPLICABLE MUST REMAIN WITHIN DIMENSIONS				THIRD ANGLE PROJECTION		DRAWING: D-SIZE					

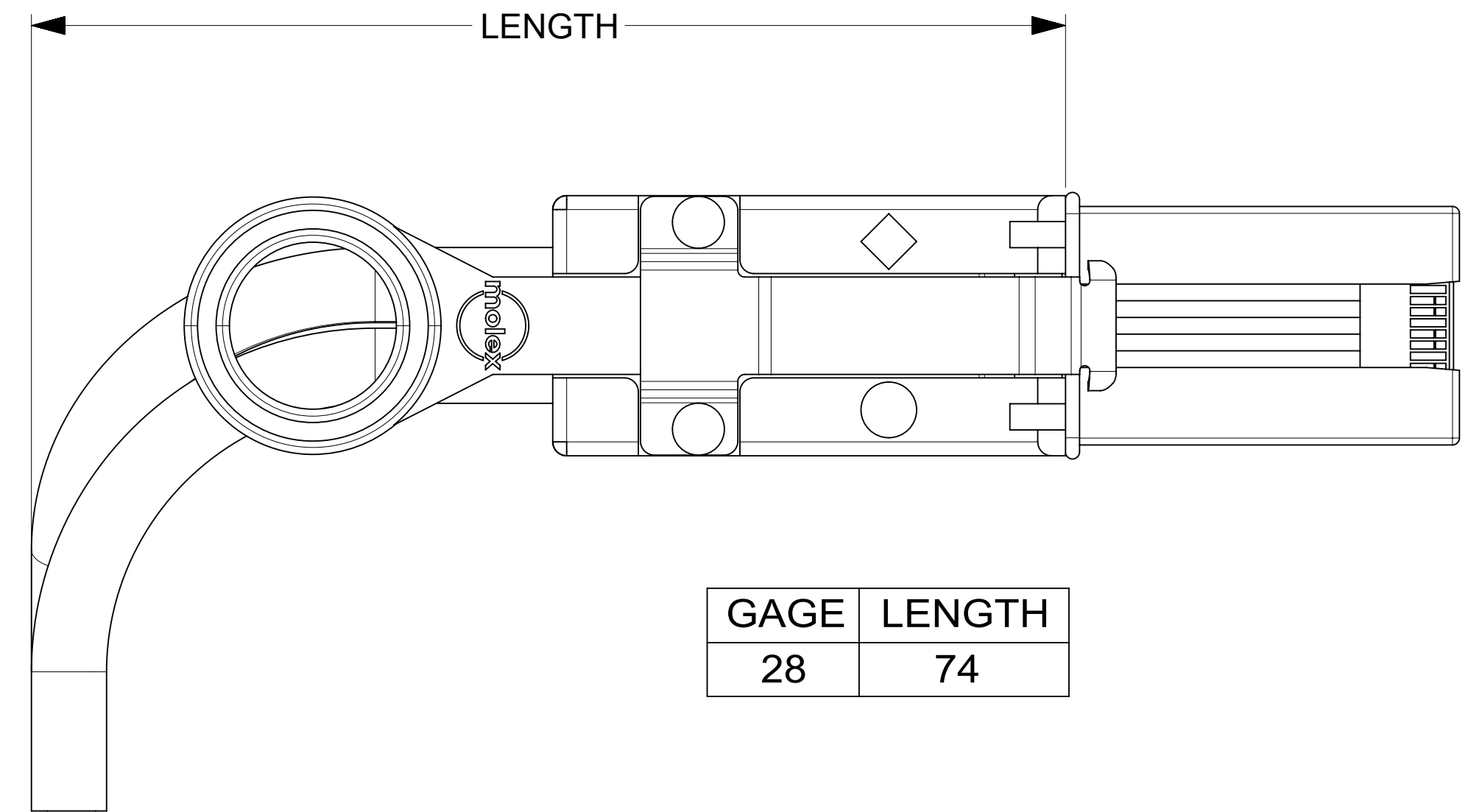


0.5M THRU 6.0M
SAS 1.1 & 2.0

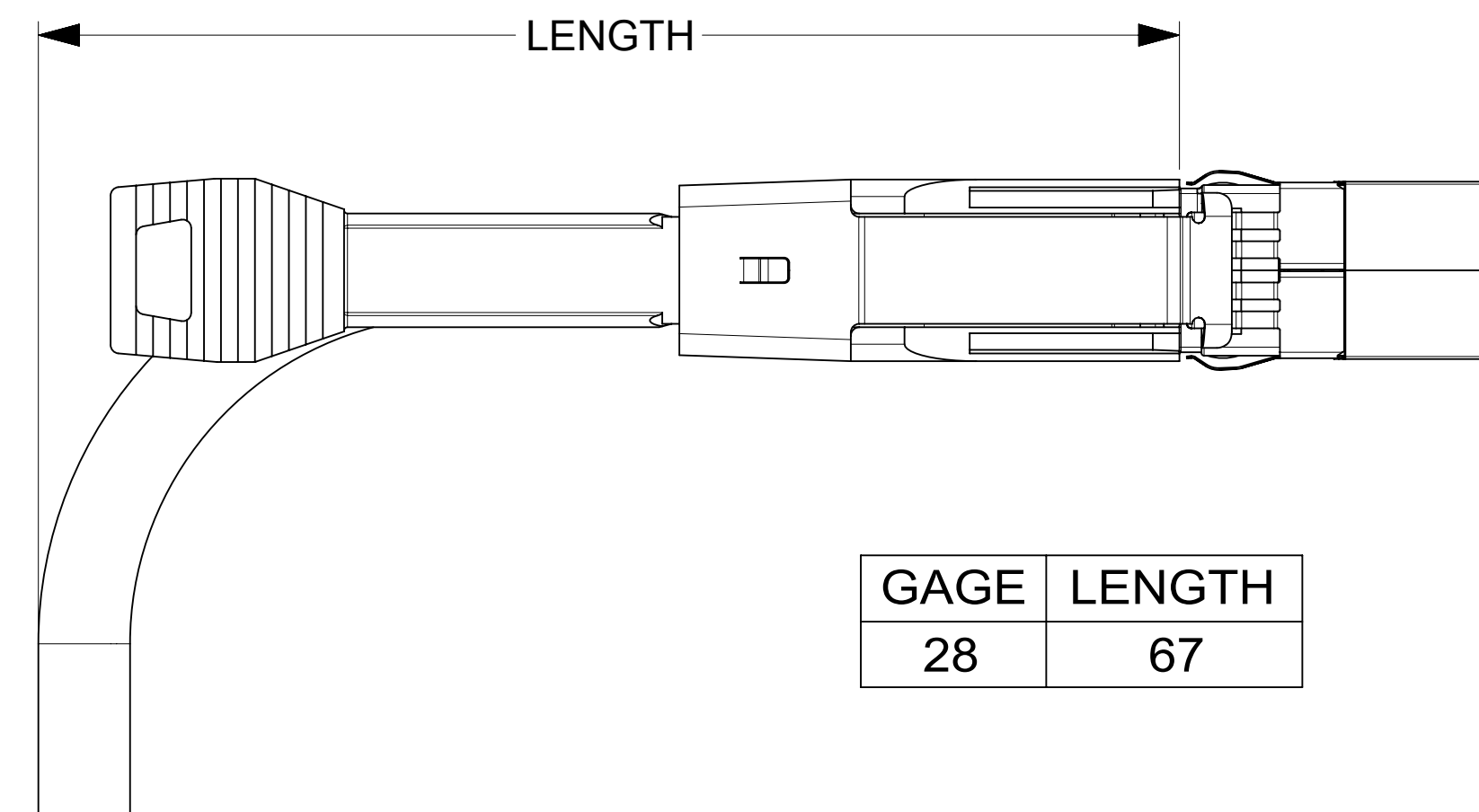


7.0M THRU 10.0M
SAS 2.0
RAISED KEY 3

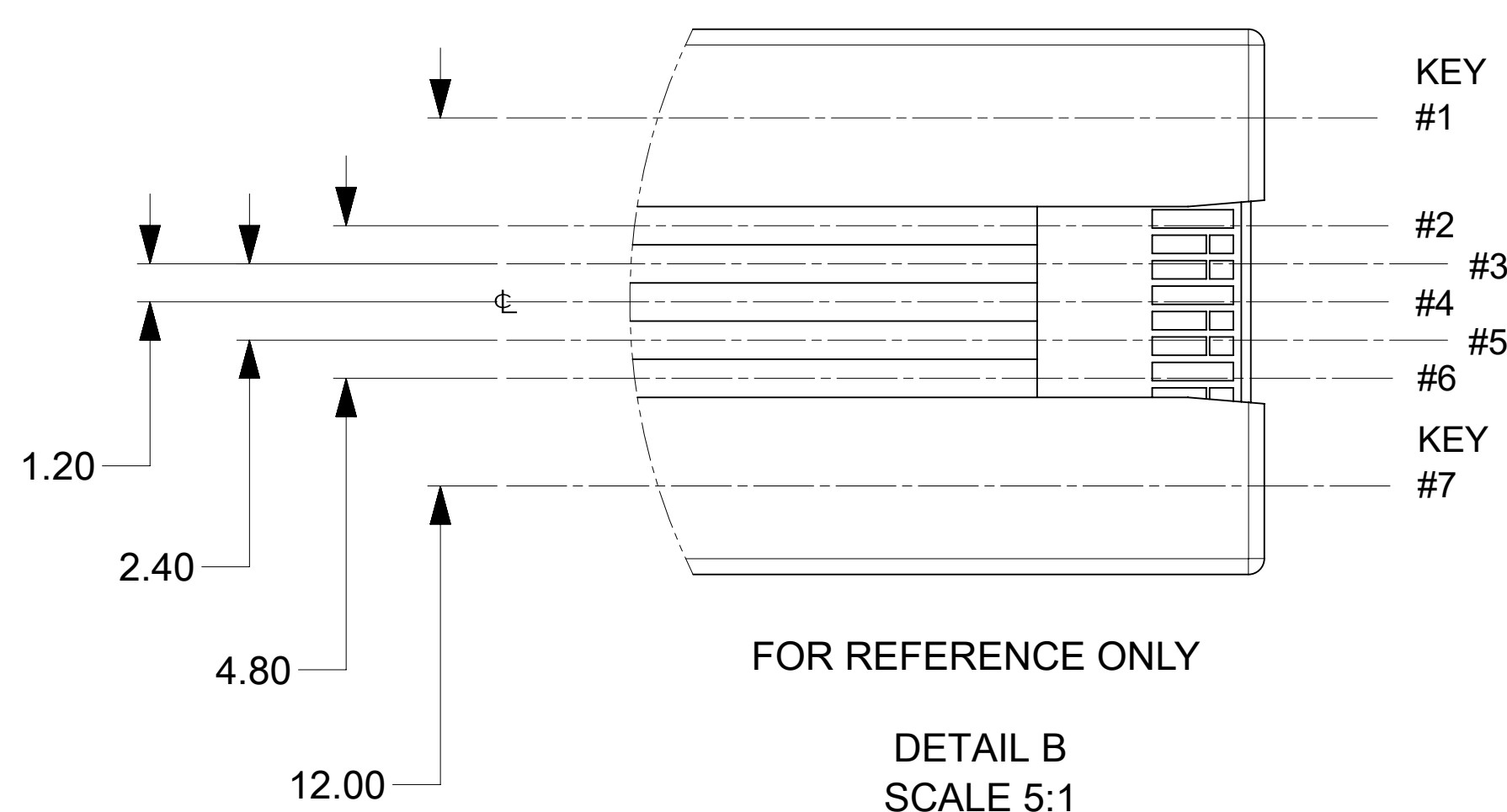
RAISED KEY 3



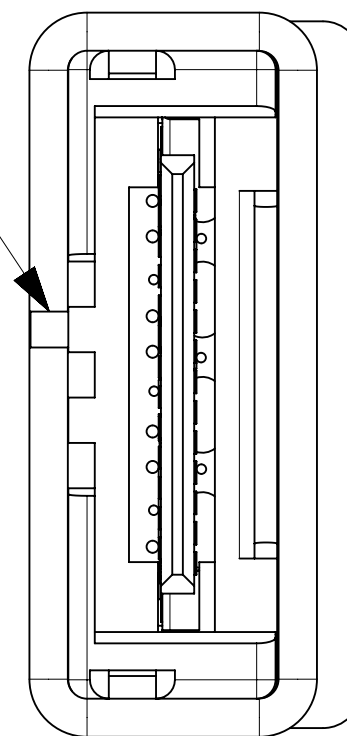
GAGE	LENGTH
28	74



GAGE	LENGTH
28	67



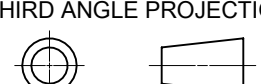
RAISED KEY 3 (R3)
(24AWG ONLY)



THIS DRAWING CONTAINS INFORMATION THAT IS PROPRIETARY TO MOLEX ELECTRONIC TECHNOLOGIES, LLC AND SHOULD NOT BE USED WITHOUT WRITTEN PERMISSION

DIMENSION UNITS mm	SCALE 2:1	CURRENT REV DESC: OBSOLETE PART NUMBERS AS PER PCN#506884			
GENERAL TOLERANCES (UNLESS SPECIFIED)					
	MM	INCH	PRODUCT CUSTOMER DRAWING		
4 PLACES	±	±	EC NO: 662770	DOCUMENT NUMBER	
3 PLACES	±	±	DRWN: SUGEEB	2021/03/26	DOC TYPE
2 PLACES	±	±	CHK'D: GGA	2021/06/02	DOC PART
1 PLACE	±	±	APPR: GGA	2021/06/02	REVISION
0 PLACES	±	±	INITIAL REVISION:	SD-111068-3200	
ANGULAR TOL	±	2.0 °	DRWN: BREED	2010/12/10	PSD
			APPR: RMKHAN	2011/07/24	001
DRAFT WHERE APPLICABLE MUST REMAIN WITHIN DIMENSIONS		THIRD ANGLE PROJECTION	DRAWING	SERIES	CUSTOMER
			D-SIZE	111068	GENERAL MARKET
				SEE TABLE	3 OF 4

DATE	REV	DESCRIPTION
2011/10/18	C	1. CHANGED LABEL
2012/07/28	D	1. ADDED PART NUMBERS 3204, 3208, & 3209. 2. UPDATED SHEET FORMAT. 3. ADDED REVISION HISTORY TABLE.
2012/09/06	E	1. CHANGED TEXT FONT SIZE FOR CONSISTENCY.
2012/10/31	F	1. ADDED LABEL TEXT ORIENTATION ON SHEET 1. 2. ADJUSTED FRONT VIEW OF CABLE ASSEMBLY ON SHEET 1. 3. CORRECTED PCB PIN OUT FOR MINISAS END ON SHEET 2.
2021/03/26	G	1. OBSOLETE PART NUMBER (1110683200 /3201/ 3202/ 3204/ 3205/ 3206/ 3207/3208/ 3209/ 3210)

THIS DRAWING CONTAINS INFORMATION THAT IS PROPRIETARY TO MOLEX ELECTRONIC TECHNOLOGIES, LLC AND SHOULD NOT BE USED WITHOUT WRITTEN PERMISSION										
DIMENSION UNITS mm		SCALE 1:1		CURRENT REV DESC: OBSOLETE PART NUMBERS AS PER PCN#506884				molex		
GENERAL TOLERANCES (UNLESS SPECIFIED)				EC NO: 662770 DRWN: SUGEEB 2021/03/26 CHK'D: GGA 2021/06/02 APPR: GGA 2021/06/02		MINISAS HD TO MINISAS 4X CABLE ASSEMBLIES EXTERNAL				
	MM	INCH								
4 PLACES	±	±								
3 PLACES	±	±								
2 PLACES	±	0.13	±							
1 PLACE	±	0.25	±							
0 PLACES	±	±								
ANGULAR TOL		± 2.0 °		INITIAL REVISION:		DOCUMENT NUMBER		DOC TYPE	DOC PART	REVISION
DRAFT WHERE APPLICABLE MUST REMAIN WITHIN DIMENSIONS		THIRD ANGLE PROJECTION 		DRWN: BREED 2010/12/10 APPR: RMKHAN 2011/07/24		SD-111068-3200		PSD	001	G
DRAWING		SERIES		MATERIAL NUMBER		CUSTOMER		SHEET NUMBER		
D-SIZE		111068		SEE TABLE		GENERAL MARKET		4 OF 4		