

6

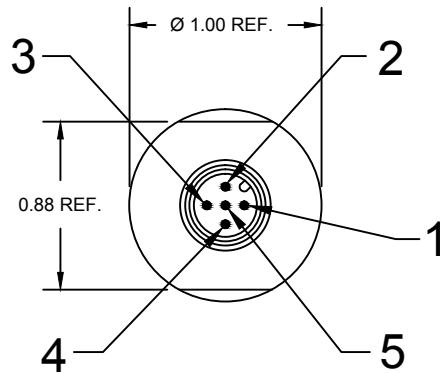
5

4

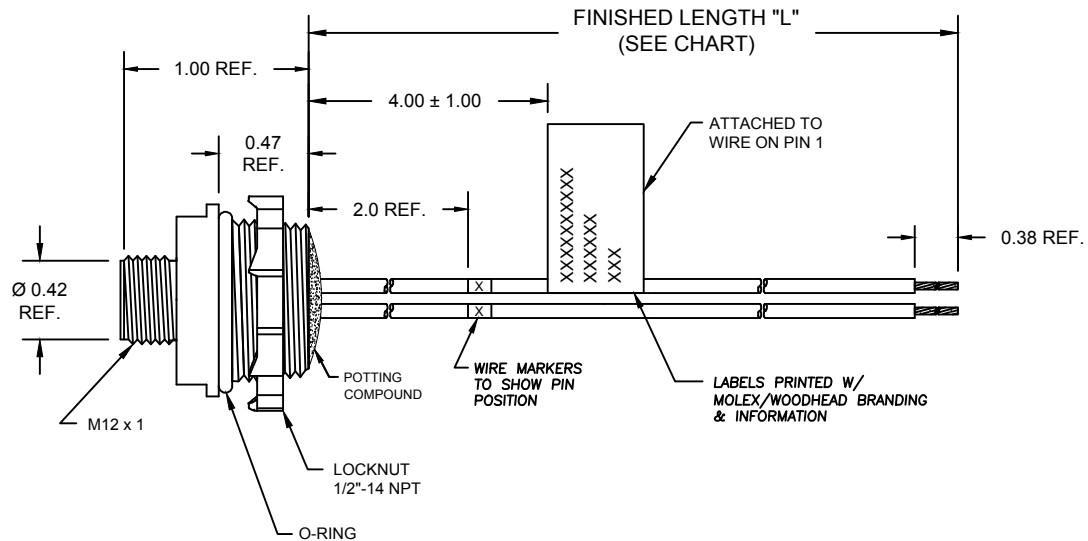
3

2

1



FACE VIEW - MALE



1	BLUE
2	BLUE
3	WHITE/BLUE
4	BLUE
5	GREEN

SPECIFICATIONS:

SHELL MATERIAL: BLACK ANODIZED ALUMINUM
 CONTACT MATERIAL: GOLD/NICKEL OVER COPPER ALLOY
 INSERT MATERIAL: BLACK NYLON
 LOCKNUT: ZINC-PLATED STEEL
 O-RING: BLACK NITRILE

WIRES: #18-1, PVC LEADS
 ASSEMBLY RATING: 250V, 4A

ENVIRONMENTAL: -20°C TO 105°C
 IP67 WHEN MATED

AGENCY: UL LISTED

MOLEX SAP P/N#	ENGINEERING P/N#	"L" (Meters)	"L" (INCH)	TOLERANCE (INCH)
1200700498	8R5006AB7M020N	2.0 M	78.74"	+3.50"/-0.00"
1200700500	8R5006AB7M040N	4.0 M	157.48"	+6.50"/-0.00"

A201110637 RELEASE EC NO: WNA2011-0422 DRWN: YOU 2011/01/28 CHKD: LHARTMAN APPR: JFMURPHY 2012/03/20	DESCRIPTION M12 MICRO-CHANGE RECEPT 5P MR 1/2 NPT MOUNT #18-1 PVC WIRES	QUALITY SYMBOLS	GENERAL TOLERANCES (UNLESS SPECIFIED)	DIMENSION STYLE	SCALE	DESIGN UNITS	THIRD ANGLE PROJECTION															
		$\nabla=0$ $\nabla C=0$	<table border="1"> <thead> <tr> <th></th> <th>mm</th> <th>INCH</th> </tr> </thead> <tbody> <tr> <td>4 PLACES</td> <td>±---</td> <td>±---</td> </tr> <tr> <td>3 PLACES</td> <td>±---</td> <td>±.005</td> </tr> <tr> <td>2 PLACES</td> <td>±---</td> <td>±.010</td> </tr> <tr> <td>1 PLACE</td> <td>±---</td> <td>±.020</td> </tr> </tbody> </table>		mm	INCH	4 PLACES	±---	±---	3 PLACES	±---	±.005	2 PLACES	±---	±.010	1 PLACE	±---	±.020	INCH ONLY	1:1	INCH	MOLEX INCORPORATED MATERIAL NO. SD-120070-039 DOCUMENT NO. SD-120070-039 SHEET NO. 1 OF 1
			mm	INCH																		
		4 PLACES	±---	±---																		
3 PLACES	±---	±.005																				
2 PLACES	±---	±.010																				
1 PLACE	±---	±.020																				
DRAFT WHERE APPLICABLE MUST REMAIN WITHIN DIMENSIONS		DRAWN BY DATE YOU 2011/01/28 CHECKED BY DATE LHARTMAN 2012/02/17 APPROVED BY DATE JFMURPHY 2012/03/20	TITLE	M12 MICRO-CHANGE RECEPT 5P MR 1/2 NPT MOUNT #18-1 PVC WIRES																		
		SEE CHART	THIS DRAWING CONTAINS INFORMATION THAT IS PROPRIETARY TO MOLEX INCORPORATED AND SHOULD NOT BE USED WITHOUT WRITTEN PERMISSION																			

6

5

4

3

2

1