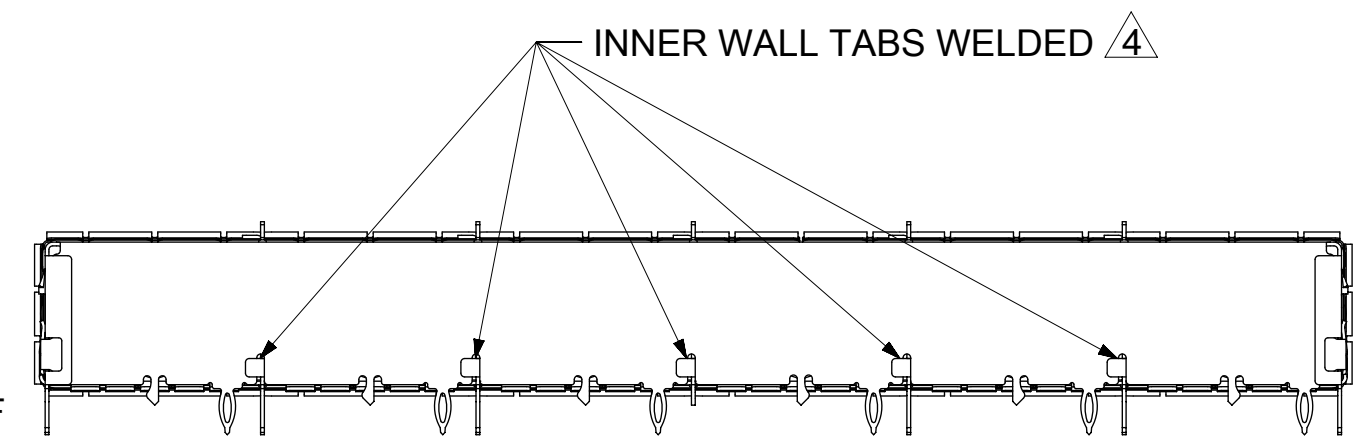
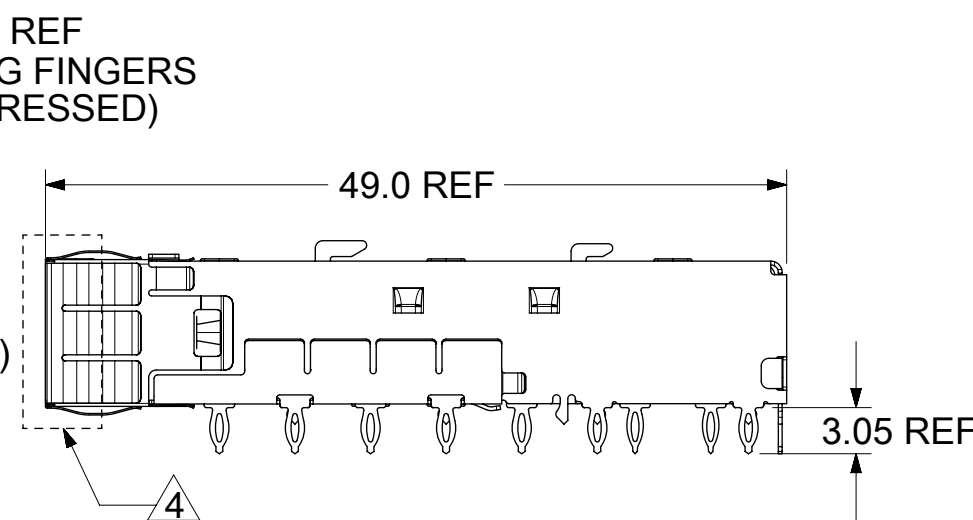
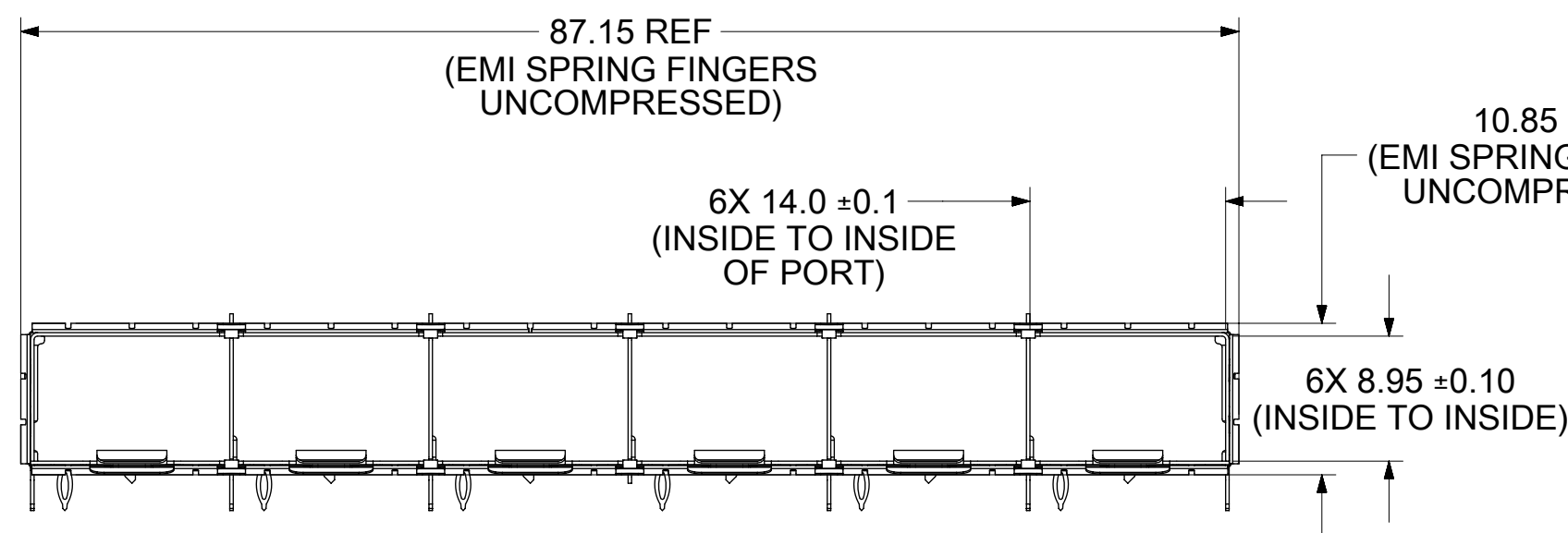
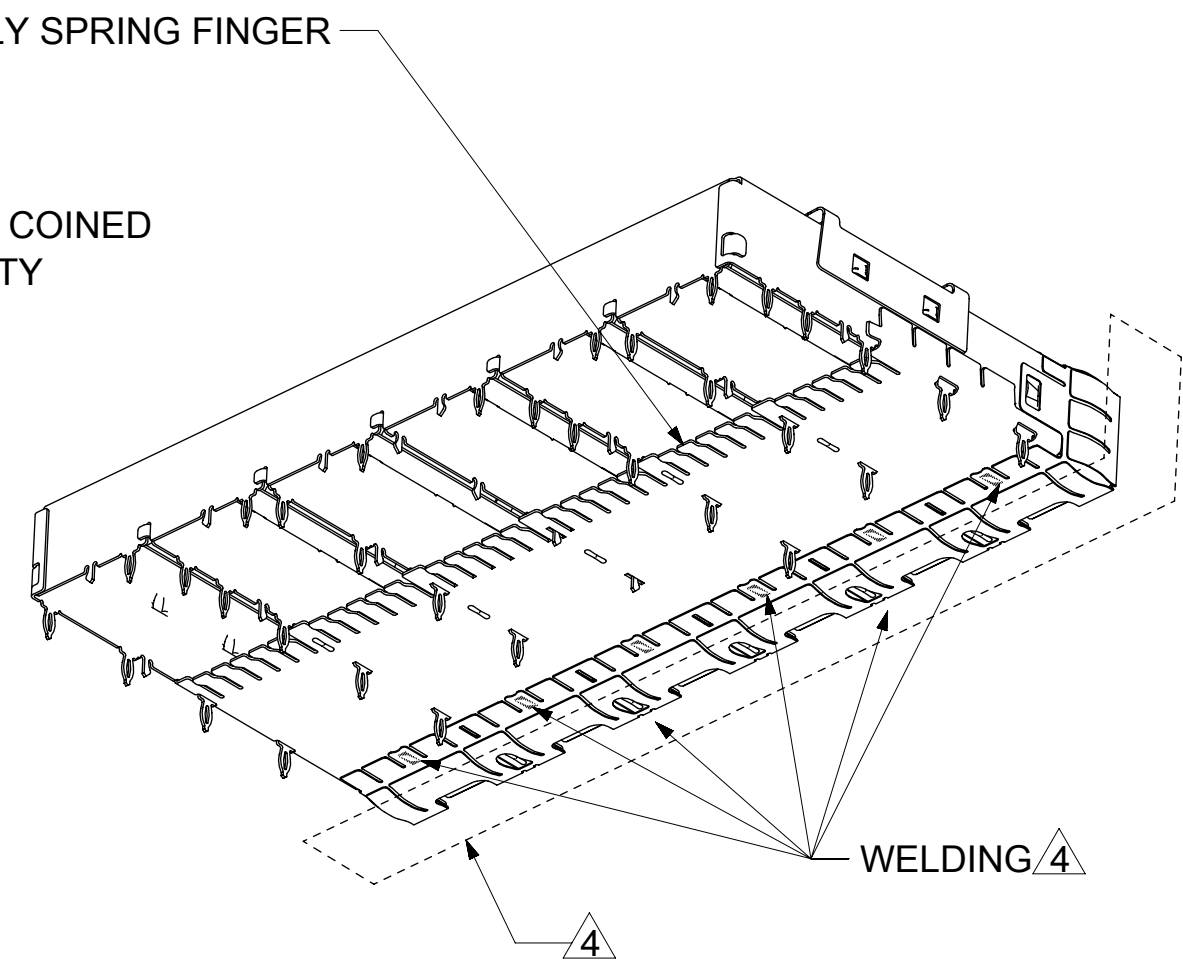
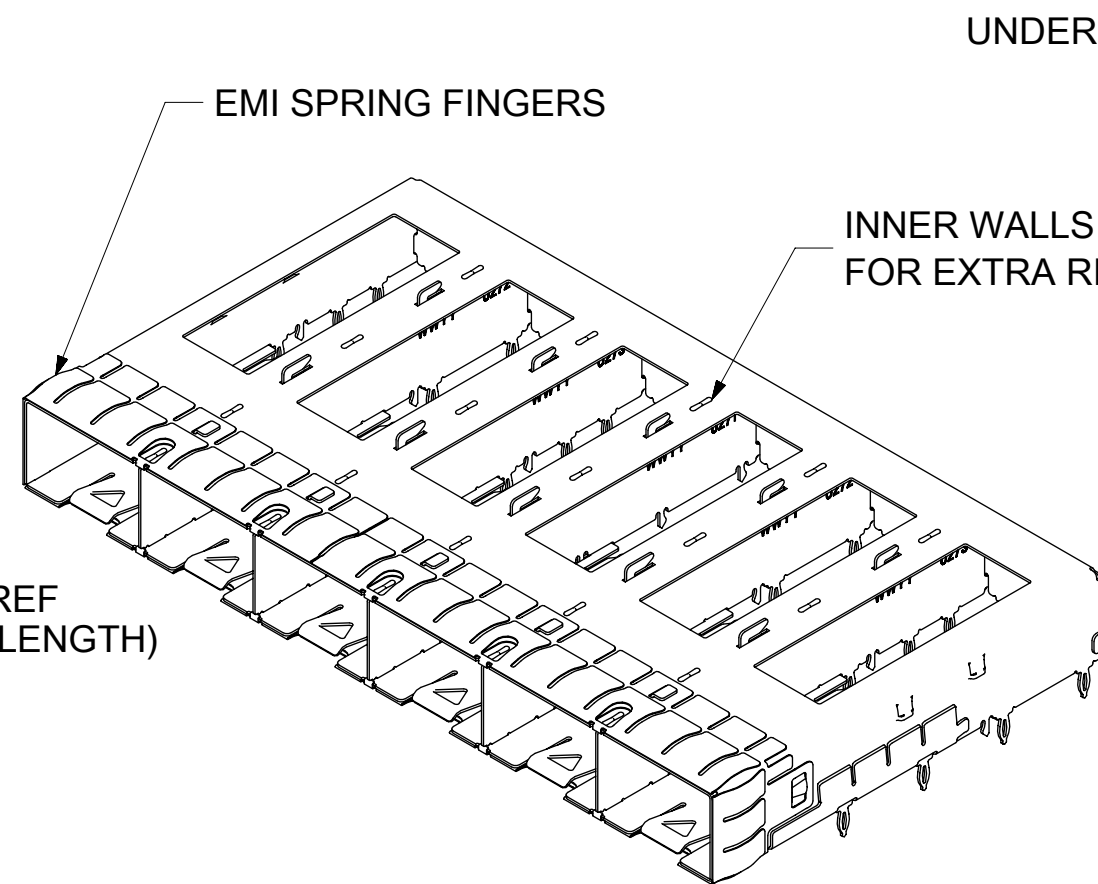
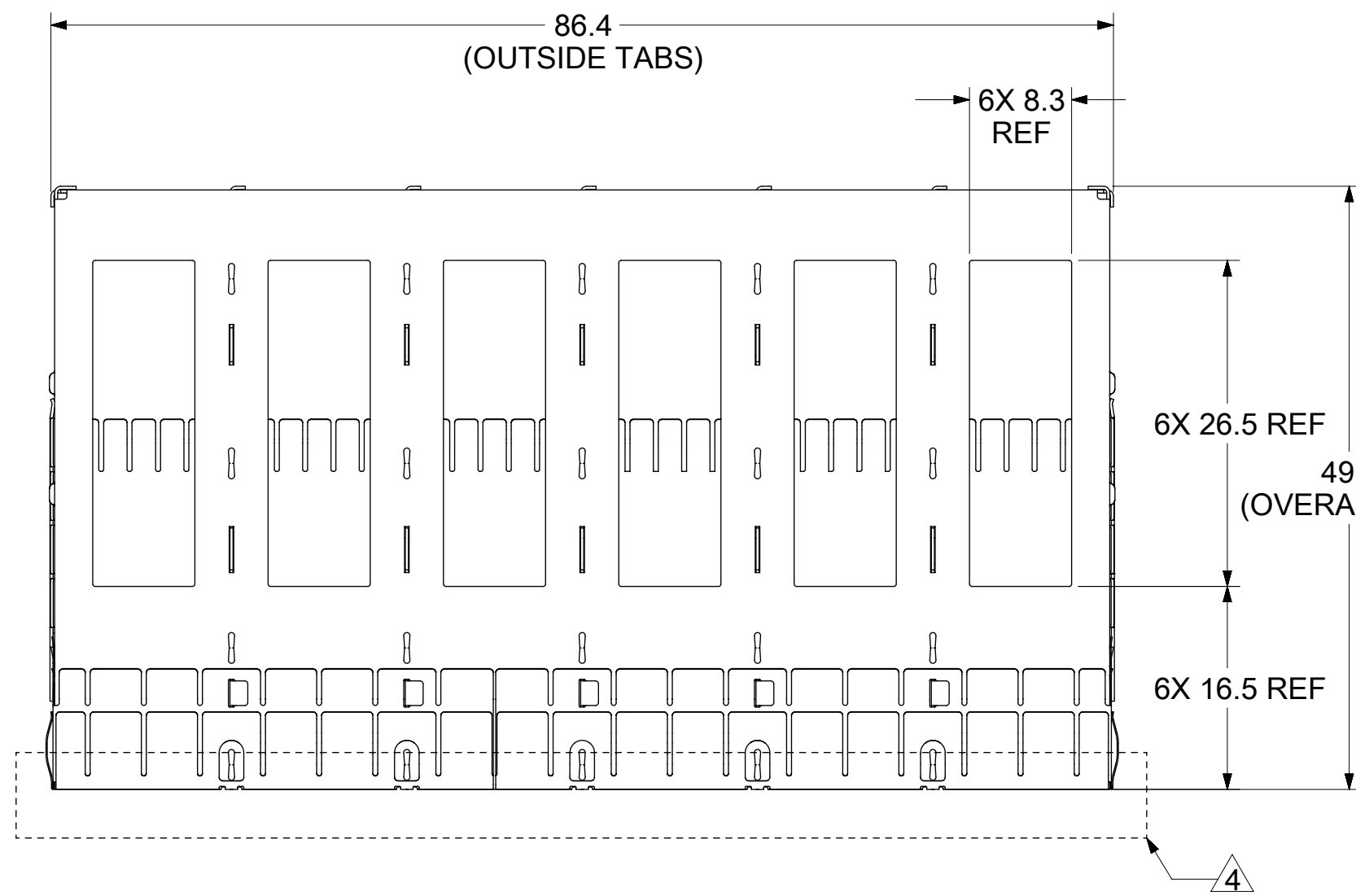


BASE CAGE DETAILS

1111128670

(HEATSINK AND HEATSINK CLIP NOT SHOWN FOR CLARITY)



NOTES:

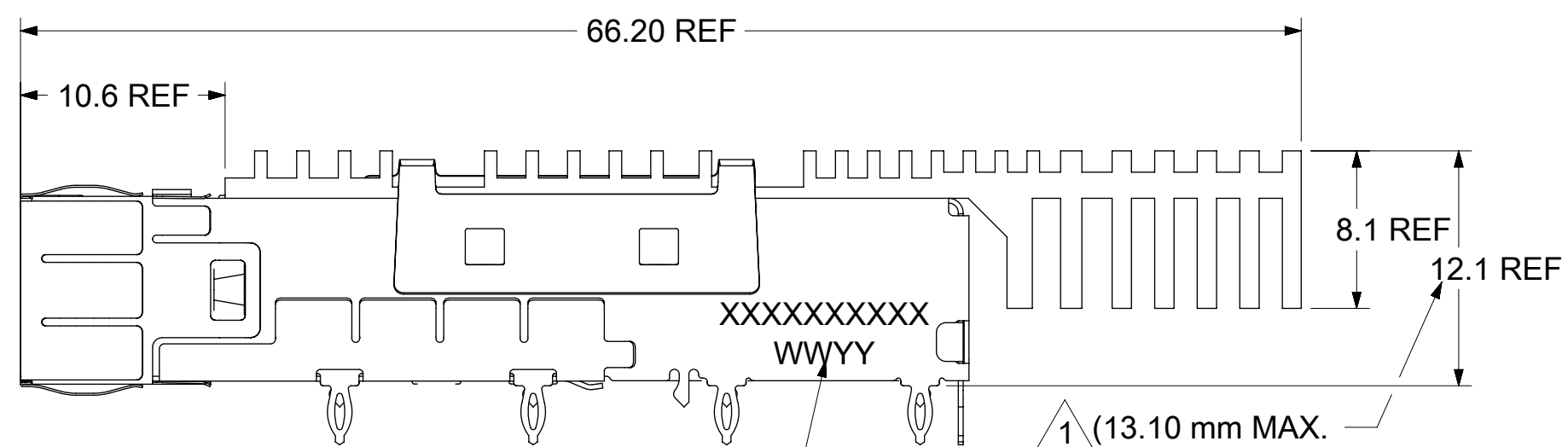
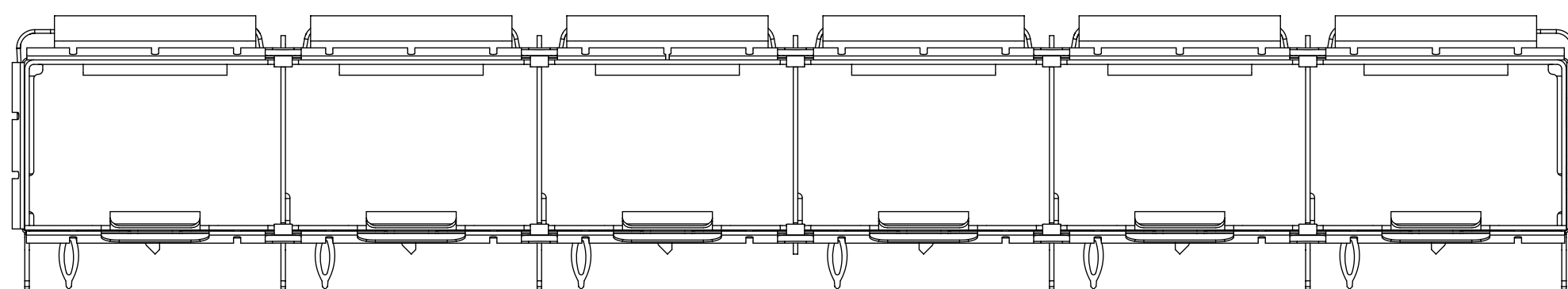
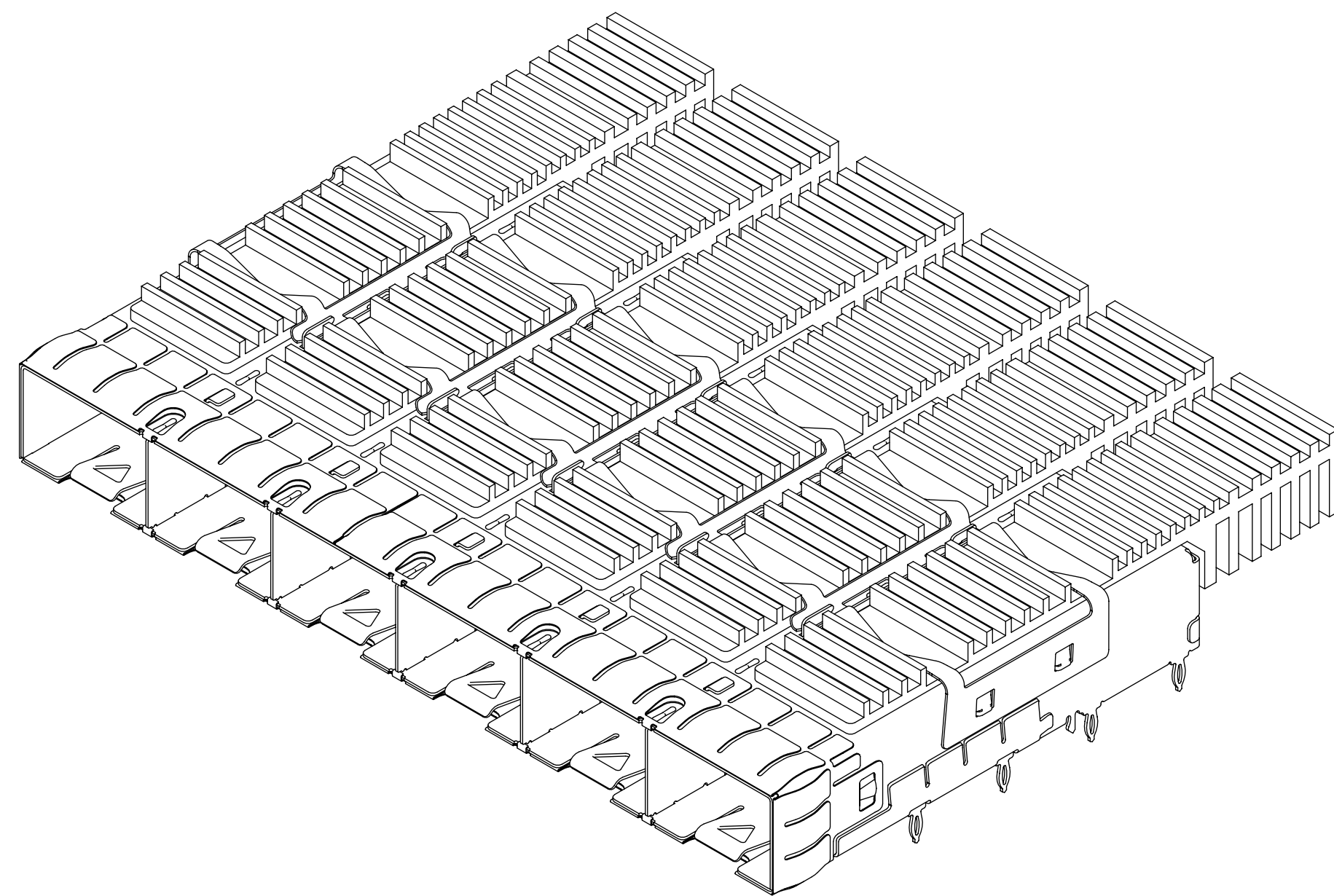
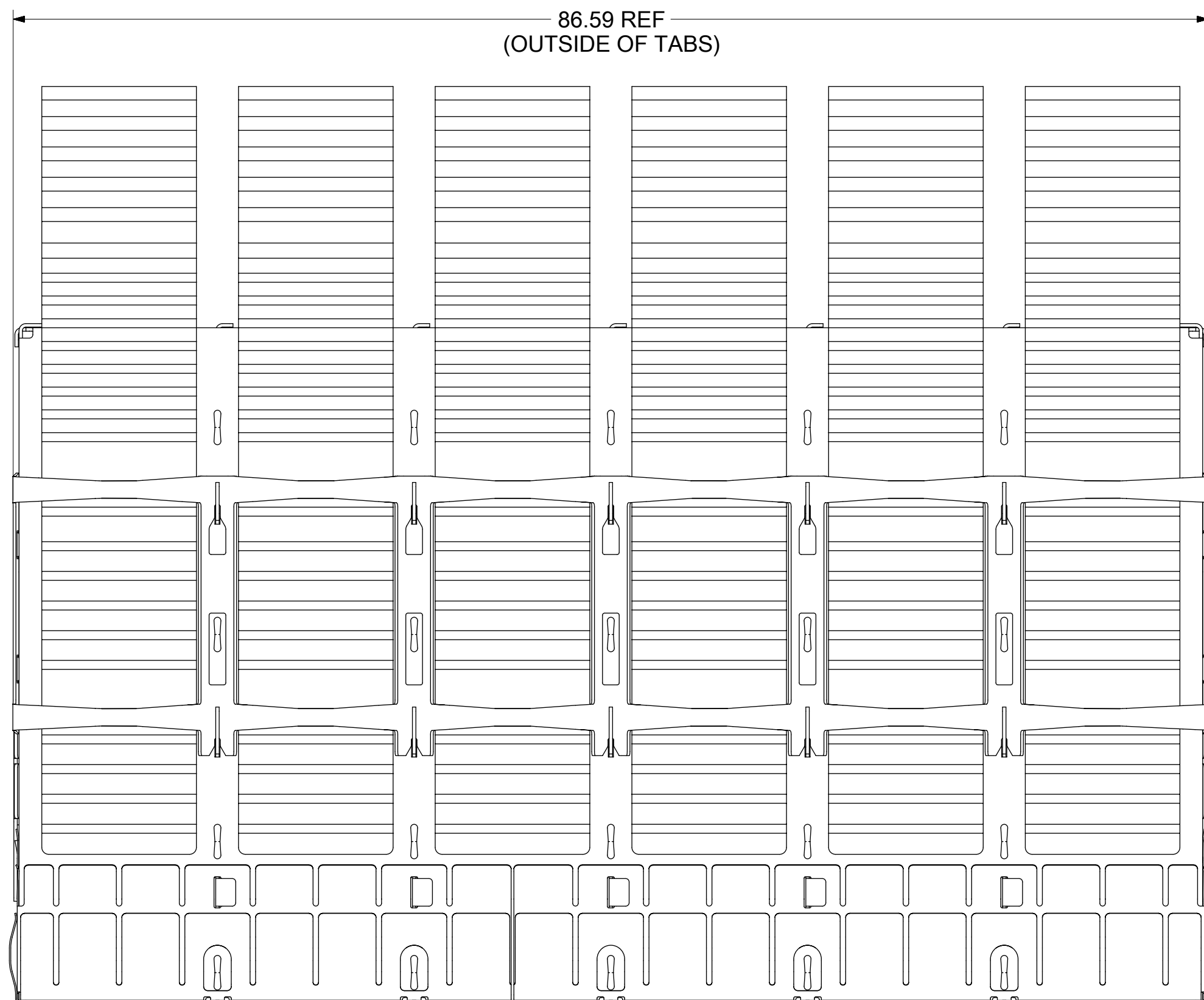
- MATERIAL:**
CAGE: 0.25mm THICK COPPER ALLOY, NICKEL PLATED.
SPRING FINGERS: STAINLESS STEEL.
HEATSINK: ALUMINUM, NICKEL PLATED.
HEATSINK SPRING CLIP: STAINLESS STEEL.
- PRESS FIT LEGS 3.05mm LONG:**
- PORTS ARE DESIGNED FOR SFP+ TRANSCEIVERS AND ARE COMPATIBLE WITH SFP TRANSCEIVERS. THE TOP SURFACE OF THE MODULE MUST BE FLAT (NO PRODUCT LABEL RECESS) AND THERMALLY CONDUCTIVE TO FUNCTION OPTIMALLY.**
- WELD SPOT MAY SHOW SLIGHT MATERIAL DISCOLORATION.**
- NO RoHS EXEMPTIONS.**

FUNCTIONAL SYMBOLS	THIS DRAWING CONTAINS INFORMATION THAT IS PROPRIETARY TO MOLEX ELECTRONIC TECHNOLOGIES, LLC AND SHOULD NOT BE USED WITHOUT WRITTEN PERMISSION		CURRENT REV DESC: SEE REVISION TABLE		molex			
	DIMENSION UNITS	SCALE						
$\nabla_A = 0$	mm	2:1			SFP+ 1X6 CAGE ASY W/ PRESS FIT, HEAT SINKS, WITH SUS EMI SPRING FINGERS			
$\nabla_C = 0$	GENERAL TOLERANCES (UNLESS SPECIFIED)							
$\nabla_P = 0$	ANGULAR TOL ± 1.0°				PRODUCT CUSTOMER DRAWING			
DIVISIONAL SYMBOLS	4 PLACES	±	EC NO: 707270	2022/04/13				
	3 PLACES	±	DRWN: PKH	2022/05/25				
	2 PLACES	± 0.15	CHK'D: TKUMARKC	2022/06/01				
	1 PLACE	± 0.25	APPR: SCHIEN					
0 PLACES	±	INITIAL REVISION:		DOCUMENT NUMBER	DOC TYPE	DOC PART	REVISION	
			DRWN: PKH	2022/04/13	1111128670	PSD	ASY	A
			APPR: SCHIEN	2022/06/01				
DRAFT WHERE APPLICABLE MUST REMAIN WITHIN DIMENSIONS	THIRD ANGLE PROJECTION	DRAWING	SERIES	MATERIAL NUMBER	CUSTOMER	SHEET NUMBER		
		C-SIZE	111112	1111128670		1 OF 5		

CAGE ASSEMBLY W/ HEAT SINK

111128670

SHOWN



PN/DATE CODE TO BE PRINTED ON THE SIDE OF COMPLETED CAGE ASSEMBLY APPROXIMATELY AS SHOWN.

1 (13.10 mm MAX. HEIGHT MATING WITH TRANSCEIVERS)

WEEK/YEAR DATE CODE TABLE

WW	01 THRU 52 OR 53	EXAMPLE: 01 = FIRST WEEK OF YEAR 52 = LAST WEEK OF YEAR
YY	22, 23, 24 ETC.	EXAMPLE: YEAR 2022 = 22

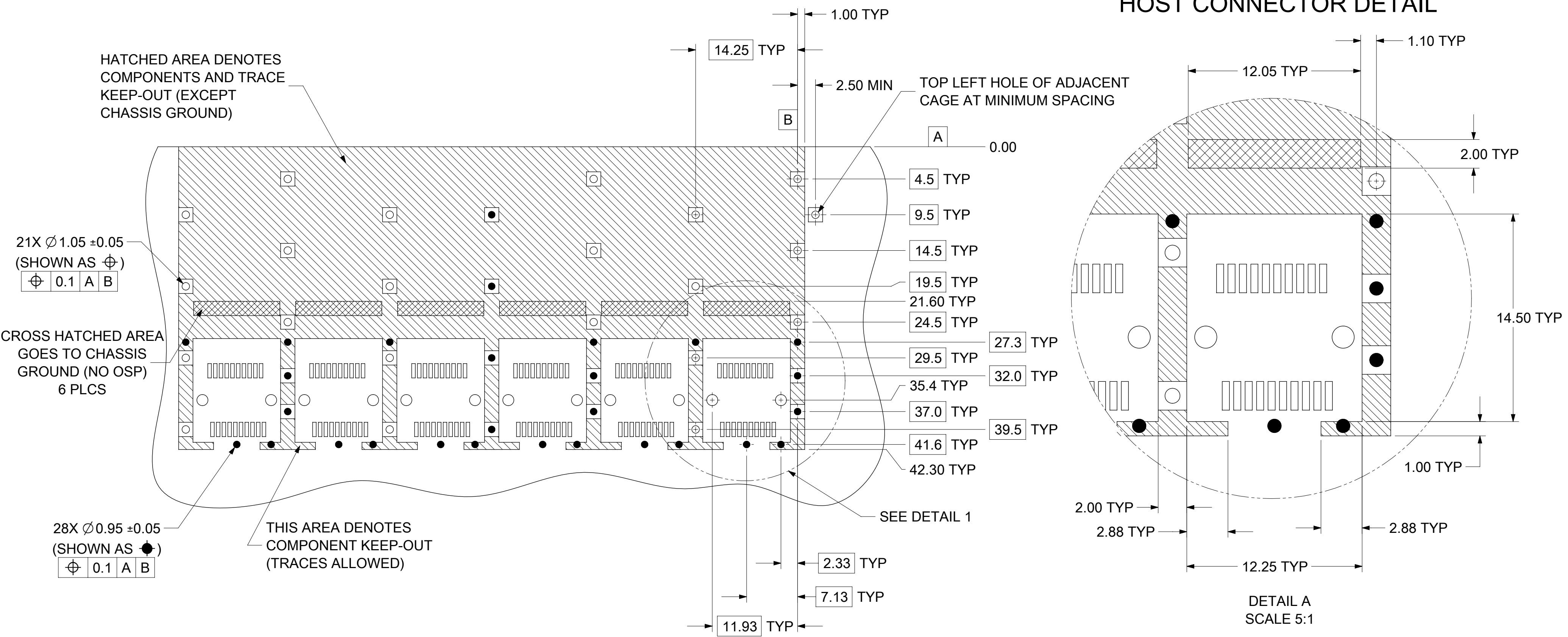
THIS DRAWING CONTAINS INFORMATION THAT IS PROPRIETARY TO MOLEX ELECTRONIC TECHNOLOGIES, LLC AND SHOULD NOT BE USED WITHOUT WRITTEN PERMISSION

FUNCTIONAL SYMBOLS	DIMENSION UNITS	SCALE	CURRENT REV DESC: SEE REVISION TABLE		
$\nabla_A = 0$	mm	3:1	<p>molex</p> <p>SFP+ 1X6 CAGE ASY W/ PRESS FIT, HEAT SINKS, WITH SUS EMI SPRING FINGERS</p> <p>PRODUCT CUSTOMER DRAWING</p>		
$\nabla_E = 0$	GENERAL TOLERANCES (UNLESS SPECIFIED)				
$\nabla_P = 0$	ANGULAR TOL $\pm 1.0^\circ$				
DIVISIONAL SYMBOLS	4 PLACES	\pm			
	3 PLACES	\pm	EC NO: 707270	2022/04/13	
	2 PLACES	± 0.15	DRWN: PKH	2022/05/25	
	1 PLACE	± 0.25	CHK'D: TKUMARKC	2022/06/01	
	0 PLACES	\pm	APPR: SCHIEN		
DRAFT WHERE APPLICABLE MUST REMAIN WITHIN DIMENSIONS			INITIAL REVISION:		
THIRD ANGLE PROJECTION			DRWN: PKH	2022/04/13	
DRAWING			APPR: SCHIEN	2022/06/01	
SERIES			DOCUMENT NUMBER		
C-SIZE			111128670		
111112			DOC TYPE DOC PART REVISION		
MATERIAL NUMBER			PSD ASY A		
CUSTOMER			SHEET NUMBER		
111128670			2 OF 5		

NOTE: ∇_1 HEIGHT OF HEATSINK WITH MODULE INSERTED DIMENSION MAY BE LESS DUE TO MODULE AND HEATSINK VARIATIONS

PCB LAYOUT FOR SINGLE SIDE MOUNT

HOST CONNECTOR DETAIL

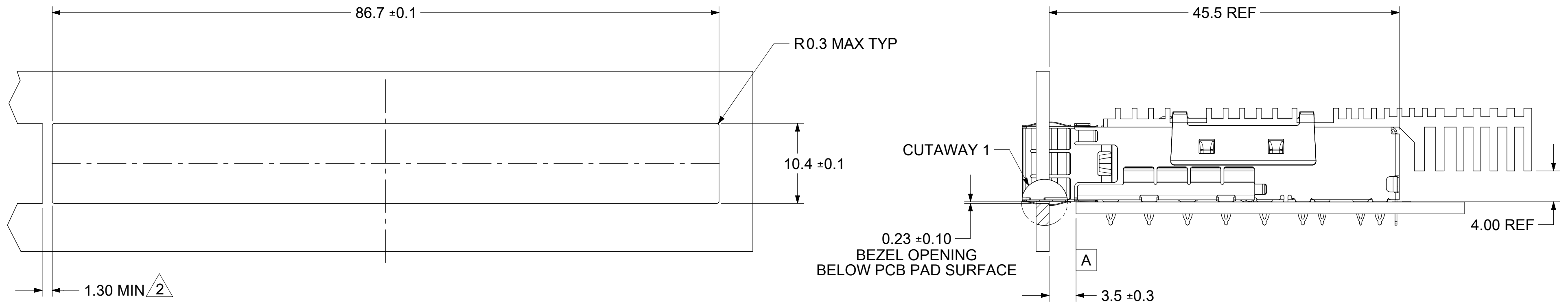


- NOTES:
1. PADS AND VIAS CONNECT TO CHASSIS GROUND (RECOMMEND PADS TO BE 2.00mm SQUARE)
 2. RECOMMENDED THRU HOLE PLATING INCLUDES HASL, OSP, OR IMMERSION (GOLD, SILVER, OR TIN).
 3. CONNECTOR PAD LAYOUT PER SFP+ MSA WILL ACCOMMODATE MOLEX CONNECTOR SERIES 74441 OR EQUIVALENT.
 4. HOLE PATTERN REPEATS FOR EACH PORT. SPACING BETWEEN PORTS IS 14.25mm.
 5. MIN PCB THICKNESS FOR SINGLE SIDED USE: 1.57mm.

FUNCTIONAL SYMBOLS										THIS DRAWING CONTAINS INFORMATION THAT IS PROPRIETARY TO MOLEX ELECTRONIC TECHNOLOGIES, LLC AND SHOULD NOT BE USED WITHOUT WRITTEN PERMISSION											
DIMENSION UNITS					SCALE					CURRENT REV DESC: SEE REVISION TABLE											
mm					5:2					EC NO: 707270 DRWN: PKH CHK'D: TKUMARKC APPR: SCHIEN INITIAL REVISION: DRWN: PKH APPR: SCHIEN											
GENERAL TOLERANCES (UNLESS SPECIFIED)																					
ANGULAR TOL $\pm 1.0^\circ$																					
4 PLACES \pm																					
DIVISIONAL SYMBOLS					3 PLACES \pm					2022/04/13					molex SFP+ 1X6 CAGE ASY W/ PRESS FIT, HEAT SINKS, WITH SUS EMI SPRING FINGERS PRODUCT CUSTOMER DRAWING DOCUMENT NUMBER: 111128670 DOC TYPE: PSD DOC PART: ASY REVISION: A						
2 PLACES ± 0.15					2022/05/25																
1 PLACE ± 0.25					2022/06/01																
0 PLACES \pm					2022/06/01																
DRAFT WHERE APPLICABLE MUST REMAIN WITHIN DIMENSIONS										THIRD ANGLE PROJECTION		DRAWING		SERIES		MATERIAL NUMBER		CUSTOMER		SHEET NUMBER	
										C-SIZE		111112		111128670				3 OF 5			

DOCUMENT STATUS	P1	RELEASE DATE	2022/06/01	06:40:58
-----------------	----	--------------	------------	----------


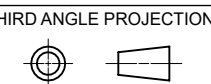
BEZEL AND BOARD POSITION DIMENSIONS FOR SINGLE SIDE MOUNTING



- NOTE:
1. PCB THICKNESS VARIATION MUST BE CONSIDERED WHEN DETERMINING BEZEL OPENING LOCATION.
 2. THIS DIMENSION IS FOR REFERENCE ONLY. USER CAN MODIFY UT DEPENDS ON APPLICATION. (THIS DIMENSION VARIES BASED ON DISTANCE OF "HOLE OF ADJACENT CAGE" ON PCB LAYOUT.)

FUNCTIONAL SYMBOLS	THIS DRAWING CONTAINS INFORMATION THAT IS PROPRIETARY TO MOLEX ELECTRONIC TECHNOLOGIES, LLC AND SHOULD NOT BE USED WITHOUT WRITTEN PERMISSION										
	DIMENSION UNITS	SCALE	CURRENT REV DESC: SEE REVISION TABLE								
$\frac{F}{A} = 0$	mm	2.5:1	EC NO: 707270								
$\frac{F}{C} = 0$	GENERAL TOLERANCES (UNLESS SPECIFIED)		DRWN: PKH 2022/04/13							PRODUCT CUSTOMER DRAWING	
$\frac{F}{P} = 0$	ANGULAR TOL ± 1.0°		CHK'D: TKUMARKC 2022/05/25							DOCUMENT NUMBER	
DIVISIONAL SYMBOLS	4 PLACES ±		APPR: SCHIEN 2022/06/01							111128670	
	3 PLACES ±		INITIAL REVISION:							DOC TYPE	
	2 PLACES ± 0.15		DRWN: PKH 2022/04/13							PSD	
	1 PLACE ± 0.25		APPR: SCHIEN 2022/06/01							ASY	
0 PLACES ±		DRAFT WHERE APPLICABLE MUST REMAIN WITHIN DIMENSIONS		THIRD ANGLE PROJECTION		DRAWING		SERIES		SHEET NUMBER	
				C-SIZE		111112		MATERIAL NUMBER		111128670	
								CUSTOMER		4 OF 5	

REV	DATE	DESCRIPTION
A	2022/05/25	INITIAL RELEASE

FUNCTIONAL SYMBOLS $\frac{F}{A} = 0$ $\frac{F}{C} = 0$ $\frac{F}{P} = 0$ DIVISIONAL SYMBOLS 3 PLACES ± 2 PLACES ± 0.15 1 PLACE ± 0.25 0 PLACES ± DRAFT WHERE APPLICABLE MUST REMAIN WITHIN DIMENSIONS	THIS DRAWING CONTAINS INFORMATION THAT IS PROPRIETARY TO MOLEX ELECTRONIC TECHNOLOGIES, LLC AND SHOULD NOT BE USED WITHOUT WRITTEN PERMISSION												
	DIMENSION UNITS	SCALE	CURRENT REV DESC: SEE REVISION TABLE										
	mm	1:1											
	GENERAL TOLERANCES (UNLESS SPECIFIED)			EC NO: 707270								2022/04/13	
	ANGULAR TOL ± 1.0°			DRWN: PKH								2022/05/25	
	4 PLACES ±			CHK'D: TKUMARKC								2022/06/01	
	3 PLACES ±			APPR: SCHIEN								2022/06/01	
	2 PLACES ± 0.15			INITIAL REVISION:								DOCUMENT NUMBER	
	1 PLACE ± 0.25			DRWN: PKH								1111128670	
	0 PLACES ±			APPR: SCHIEN								PSD ASY A	
THIRD ANGLE PROJECTION			DRAWING	SERIES	MATERIAL NUMBER	CUSTOMER	SHEET NUMBER						
			C-SIZE	111112	1111128670		5 OF 5						