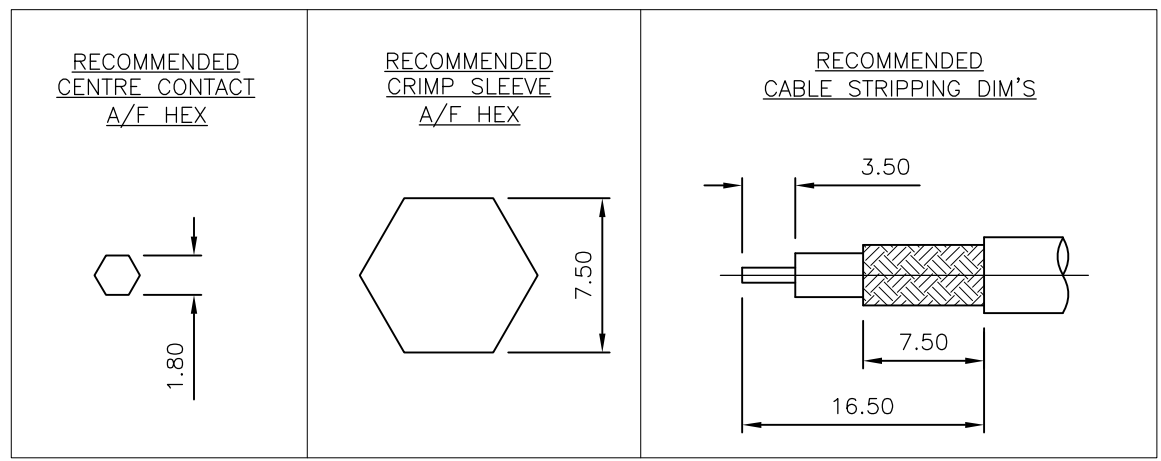
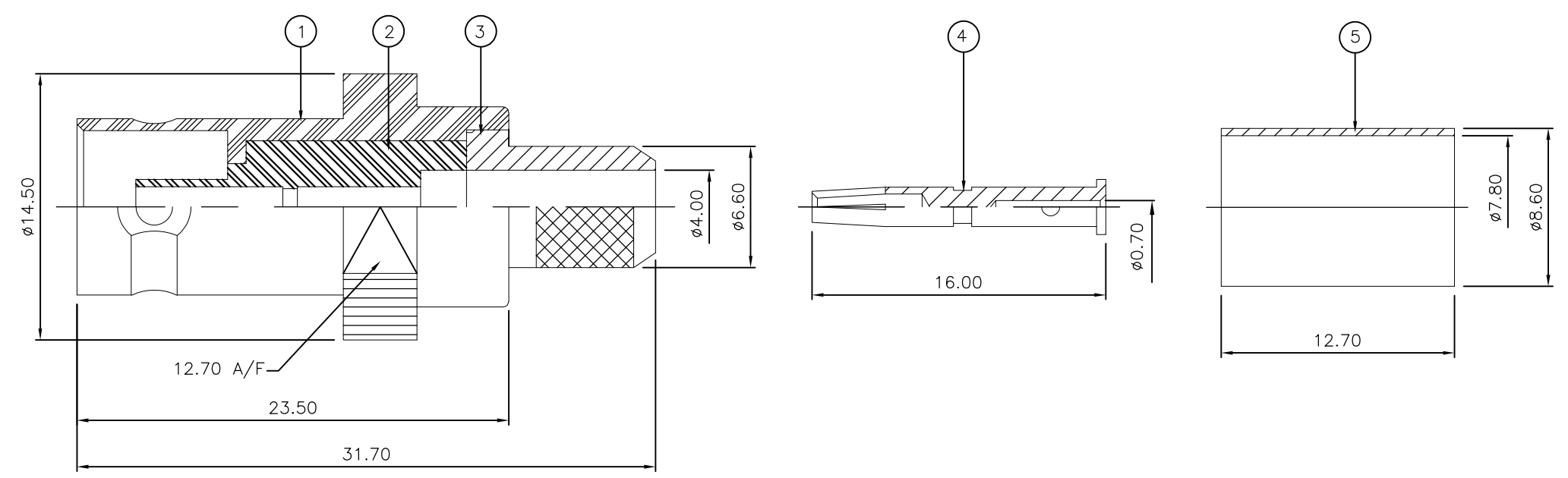


THIS DRAWING IS UNPUBLISHED. RELEASED FOR PUBLICATION JUN ,2006.
 © COPYRIGHT 2006 BY TYCO ELECTRONICS CORPORATION. ALL RIGHTS RESERVED.

LOC	DIST	REVISIONS					
E	B	P	LTR	DESCRIPTION	DATE	DWN	APVD
		C		ECO-09-018312	30AUG2009	AM	BOB

NOTES:

- 1 PACK IN ACCORDANCE WITH AMP SPEC 107-3275
- 2 100 TRAY PACK IN ACCORDANCE WITH AMP SPEC 107-3275
- 3 Au PLATING
- 4 Ni PLATING
- 5 HAND TOOL : 9-1478240-0
- 6 DIE SET : 9-1478247-0
- 7 ELECTRICAL CHARACTERISTICS
 FREQUENCY RANGE: DC - 2 GHz
 NOMINAL IMPEDANCE: 75 Ohm
 INSULATION RESISTANCE: 5000 MOhm
 WORKING VOLTAGE: 500 Volts RMS at Sea Level
 DIELECTRIC WITHSTAND VOLTAGE: 1500 Volts RMS Max
 CONTACT RESISTANCE:
 CENTRE CONTACT: 1.50 mOhm Max
 OUTER CONTACT: 0.20 mOhm Max
 VSWR @ 2GHz: 1.20:1 Max
 INSERTION LOSS dB @ x 2 GHz: 0.20 Max
- 8 MECHANICAL CHARACTERISTICS
 COUPLING RETENTION FORCE: N/A
 CABLE RETENTION FORCE: 170N Min
 DURABILITY: 500 Cycles Min
- 9 ENVIRONMENTAL CHARACTERISTICS
 OPERATING TEMPERATURE: -65 to +165 DegC
- 10 FOR TECHNICAL DATA REFER TO YOUR LOCAL TYCO ELECTRONICS SALES OFFICE
- 11 ALL DIMENSIONS ARE NOMINAL FOR REFERENCE ONLY UNLESS OTHERWISE STATED
- 12 PART VERSION:1-1478070-0 REV.B



THIS DRAWING IS A CONTROLLED DOCUMENT.		DWN	J.SANDWELL	15JUN06	Tyco Electronics Corporation Bideford EX39 4HE		
DIMENSIONS: mm		CHK	S.PARLOW	15JUN06			
TOLERANCES UNLESS OTHERWISE SPECIFIED:		APVD	F.WHEELER-KING	15JUN06	NAME		
0 PLC ± - 1 PLC ± - 2 PLC ± - 3 PLC ± - 4 PLC ± - ANGLES ± -		PRODUCT SPEC		BNC STRAIGHT JACK CRIMP 75 OHM BT2003			
MATERIAL SEE TABLE		FINISH -		APPLICATION SPEC		411-3247	RESTRICTED TO
		WEIGHT -		SIZE	A3	CAGE CODE	00779
		CUSTOMER DRAWING		DRAWING NO	C-1478070		REV
		SCALE		NTS	SHEET	1 OF 1	REV
							C

OBSOLETE

QTY	QTY PER ASSY	MATERIAL	DESCRIPTION	ITEM
1		BRASS	FERRULE	5
1		BRASS	CONTACT	4
1		BRASS	CHASSIS	3
1		PTFE	INSULATION	2
1		BRASS	BODY	1
6--0	1--0	MATERIAL	DESCRIPTION	ITEM