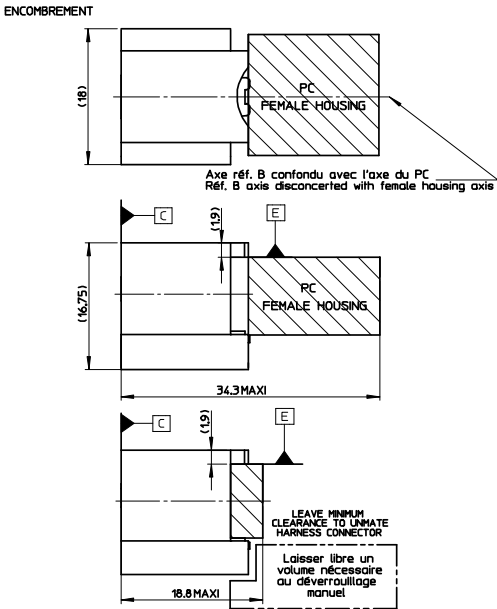
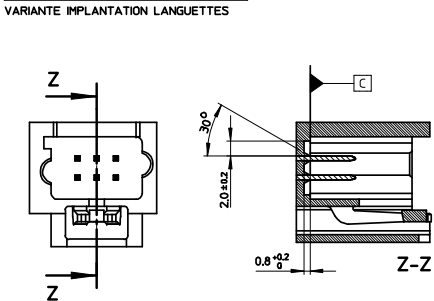


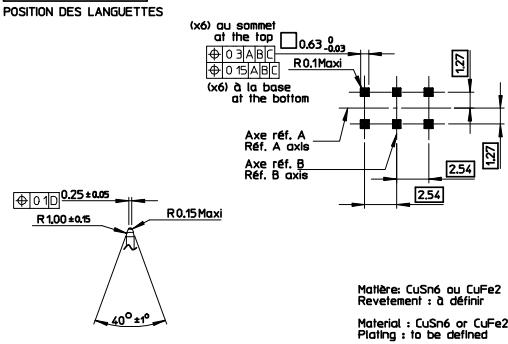
**OVERALL DIMENSIONS**



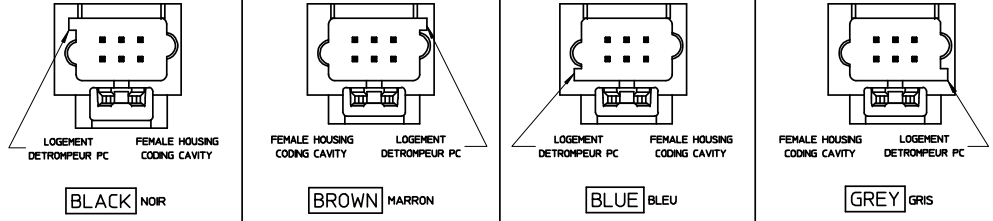
**VARIANT PINS LOCATION**



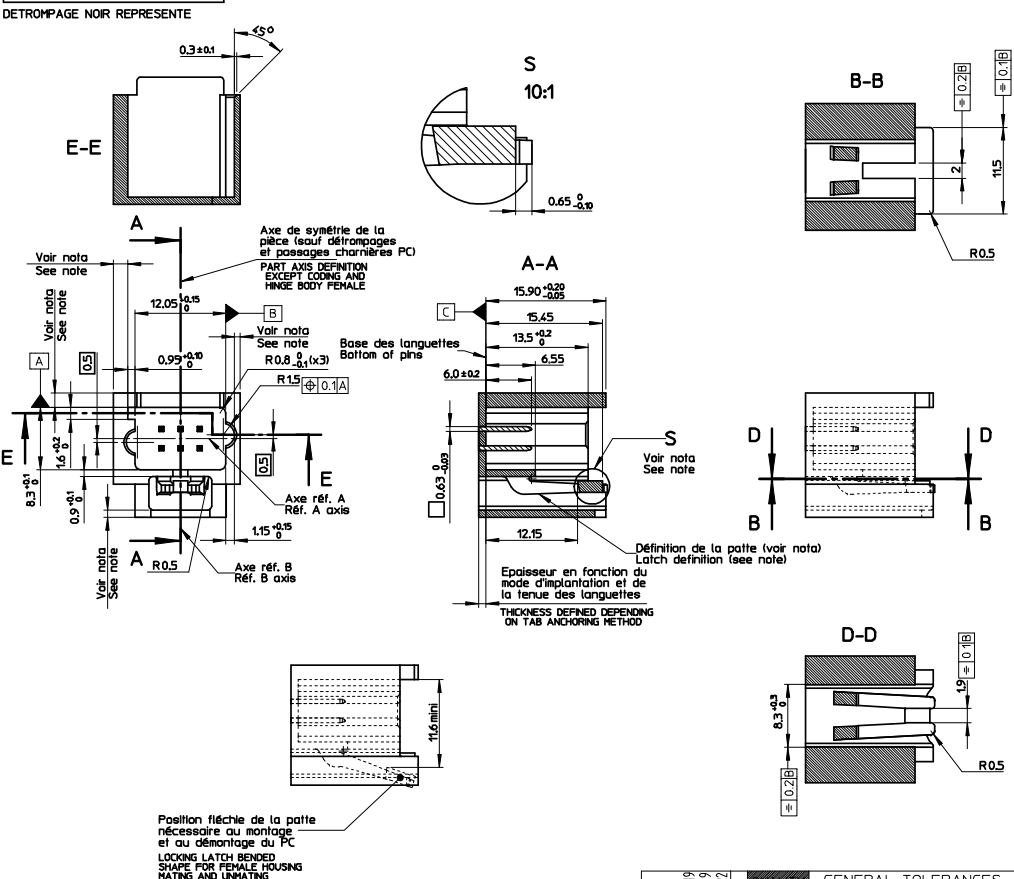
**PINS POSITION**



**CODINGS / DETROMPAGES**



**BLACK CODING SHOWN**



**NOTA :**  
1 - COTATION ET GEOMETRIE A DEFINIR EN FONCTION DE LA MATIERE (VOIR PLANCHE 2)

**NOTE :**  
1 - DIMENSIONS AND GEOMETRY TO BE DEFINED ACCORDING MATERIAL (SEE SHEET 2)

**MODIFICATIONS**

REV.	DESCRIPTIONS	NAME	DATE
A	X-RELEASED	PBO	07/03/15
B	SQUARE PINS: 0.63 0/-0.03 WAS 0.63 0/-0.30.	PGR	07/06/01
B1	SEE SHEET 2/2	VG	08/06/26

<b>REVIEW NOTE</b> EC NO: GZ008-0509 2008/08/19 DRAWINGIER IN 2008/08/19 CHKD: JLDUCLOS 2008/08/22 APPR: LSTICKEIR	QUALITY SYMBOLS ▽ ▽	GENERAL TOLERANCES (UNLESS SPECIFIED) mm INCH		DIMENSION STYLE MM ONLY	SCALE 3:1	DESIGN UNITS METRIC	FIRST ANGLE PROJECTION		
		4 PLACES ± --- ± --- 3 PLACES ± --- ± --- 2 PLACES ± --- ± --- 1 PLACE ± 0.1 ± ---	ANGULAR ± 1°	DRAWN BY PBOQUAIN	DATE 2007/03/15	TITLE 6 CKT INTERFACE FEMALE HOUSING			
		DRAFT WHERE APPLICABLE MUST REMAIN WITHIN DIMENSIONS		APPROVED BY LSTICKEIR	DATE 2007/03/15	MATERIAL NO. N/A			
		B1		THIS DRAWING CONTAINS INFORMATION THAT IS PROPRIETARY TO MOLEX INCORPORATED AND SHOULD NOT BE USED WITHOUT WRITTEN PERMISSION		DOCUMENT NO. SD-98787-001		SHEET NO. 1 OF 2	

