

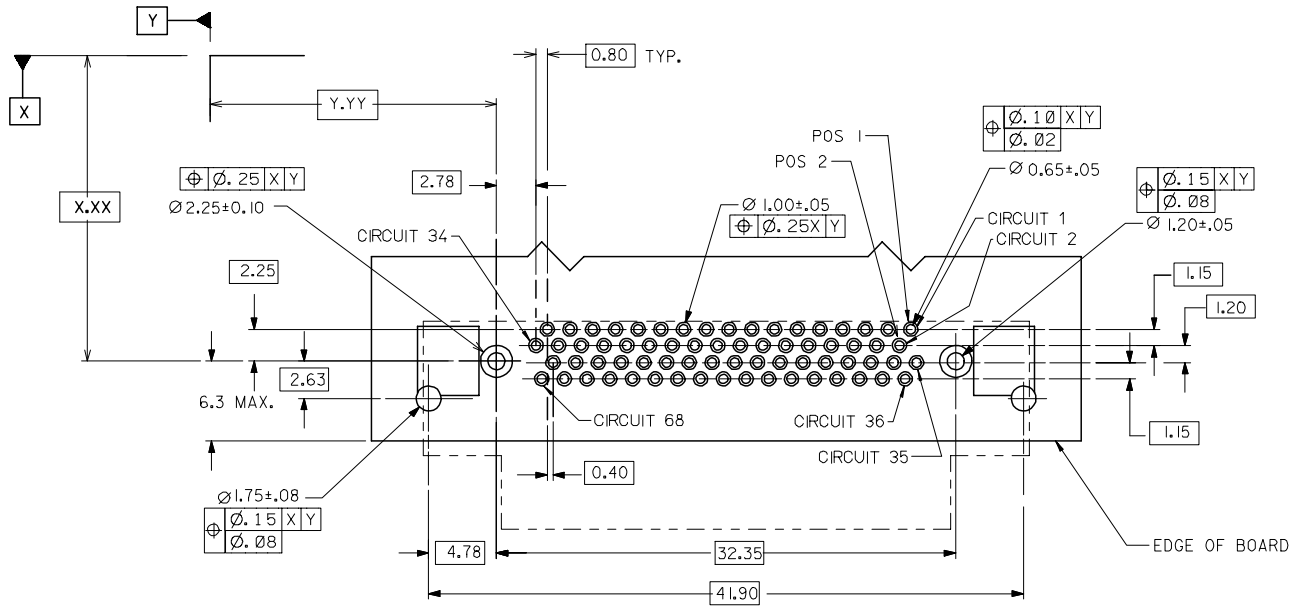
**NOTES:**

- MATERIALS:**  
HOUSING: LIQUID CRYSTAL POLYMER (LCP), COLOR: BLACK, UL 94V-0  
TERMINAL: COPPER ALLOY  
SHIELD: STEEL  
TAIL ALIGNER: LIQUID CRYSTAL POLYMER, COLOR: BLACK, UL 94V-0
- FINISH:**  
TERMINAL: 0.76 MICROMETER GOLD IN THE CONTACT AREA  
1.87 MICROMETER MINIMUM TIN IN THE SOLDER TAIL AREA  
NICKEL UNDERPLATE OVERALL  
SHIELD: 3.81 MICROMETERS MINIMUM BRIGHT TIN OVER 1.27 MICROMETERS MINIMUM NICKEL OVER COPPER FLASH (OPTIONAL).
- APPLICABLE PRODUCT SPEC: PSX-71425-9999.
- PRODUCT PACKAGED PER PK-70873-0823
- RECOMMENDED PCB THICKNESS: 1.60±0.15 MM
- APPLICABLE STANDARDS: EIA-3652 AND SFF-8441.
- DATE CODE : YR/WK, PER EIA-476-A.
- TORQUE TO INSTALL SCREWLOCKS INTO THREADED INSERTS: 0.34 Nm MAXIMUM.
- THE PRIMARY SHIPPING CARTON WILL BE LABELED "COMPLIANT TO ROHS DIRECTIVE 2002/95/EC AND ELV ANNEX II OF DIRECTIVE 2000/53/EC". CARTONS WITHOUT THIS LABEL MAY CONTAIN PRODUCT WITH LEAD.

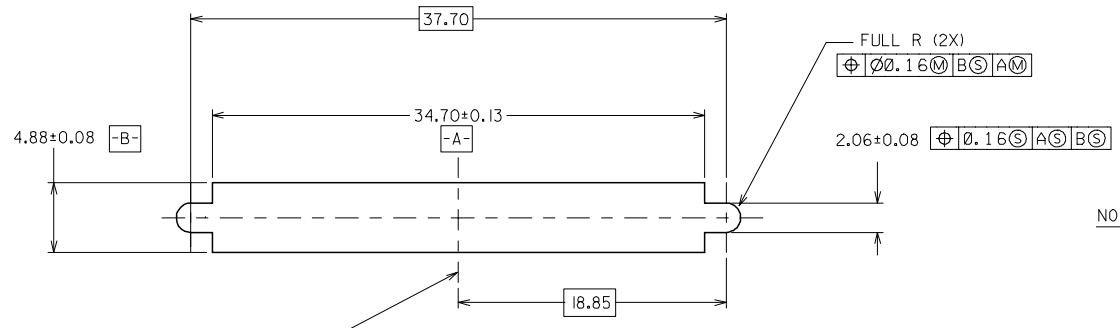
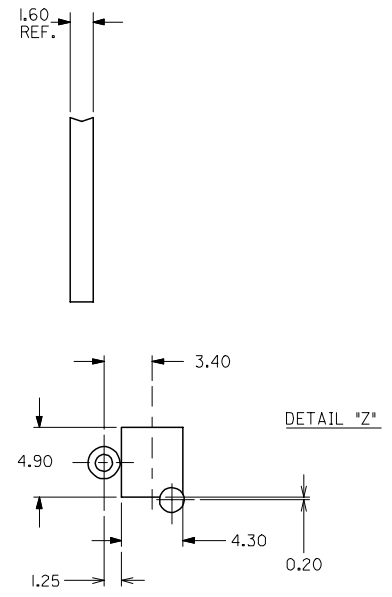
MATERIAL NUMBER	TAIL LENGTH *T*
71430-0050	2.71

<b>NEW CAD FORMAT</b> EC NO: UCP2012-3896 DRWN:BBARKER 2012/08/30 CHKD:MWOLFE APPR:SMILLER 2012/08/31	DESCRIPTION REV:	QUALITY SYMBOLS	GENERAL TOLERANCES (UNLESS SPECIFIED)	DIMENSION STYLE <b>MM ONLY</b>	SCALE	DESIGN UNITS INCH	THIRD ANGLE PROJECTION
		▽=0	mm INCH	DRAWN BY DATE BBARKER 10/29/2002	TITLE SALES ASSY VHDCI 0.8MM PITCH 68 CKT RIGHT ANGLE RECTP W/ ENHANCED SHIELD		
		▽=0	4 PLACES ± --- ± ---	CHECKED BY DATE DMORGAN 10/29/2002	<b>molex</b> DOCUMENT NO. SD-71430-001 SHEET NO. 1 OF 2		
		▽=0	3 PLACES ± --- ± ---	APPROVED BY DATE SMILLER 2012/08/31			
DRAFT WHERE APPLICABLE MUST REMAIN WITHIN DIMENSIONS			ANGULAR ±1/2°	MATERIAL NO. <b>SEE TABLE</b>	THIS DRAWING CONTAINS INFORMATION THAT IS PROPRIETARY TO MOLEX. INCORPORATED AND SHOULD NOT BE USED WITHOUT WRITTEN PERMISSION		





PCB LAYOUT COMPONENT SIDE



☉ OF DATUM A

PANEL CUTOUT

**NOTE:**  
 FOR FULL MATE WITH PLUG, PANEL THICKNESS SHOULD NOT EXCEED 1.0mm.  
 FUNCTIONAL MATING WITH MOLEX PLUG CAN STILL BE MAINTAINED WITH PANELS AS THICK AS 2.5mm (BUT PLUG AND RECEPTACLE WILL NOT BE FULLY MATED).

CLARIFY PINOUT EC NO: UCP2006-1816 DRAWN BY: BARRA 2006/02/13 CHKD: BBARKER 2006/02/23 APPR: SMILLER 2006/02/23 REV:	QUALITY SYMBOLS	GENERAL TOLERANCES (UNLESS SPECIFIED) mm INCH 4 PLACES ± --- ± --- 3 PLACES ± --- ± --- 2 PLACES ± 0.25 ± --- 1 PLACE ± --- ± --- ANGULAR ±1/2°	DIMENSION STYLE	SCALE	DESIGN UNITS	THIRD ANGLE PROJECTION	
			MM ONLY	4:1	METRIC		
		DRAFT WHERE APPLICABLE MUST REMAIN WITHIN DIMENSIONS	SEE TABLE	TITLE VHDCI 0.8 MM PITCH 68CKT RIGHT ANGLE RECEPT WITH ENHANCED SHIELD MOLEX INCORPORATED		SHEET NO. 2 OF 2	
				MATERIAL NO. SD-71430-001			
				THIS DRAWING CONTAINS INFORMATION THAT IS PROPRIETARY TO MOLEX INCORPORATED AND SHOULD NOT BE USED WITHOUT WRITTEN PERMISSION			