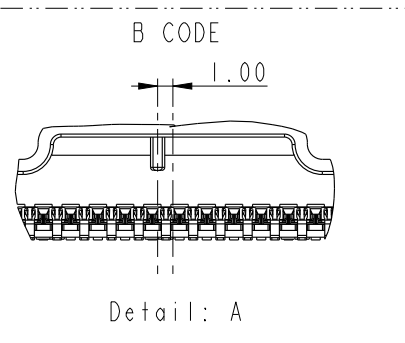
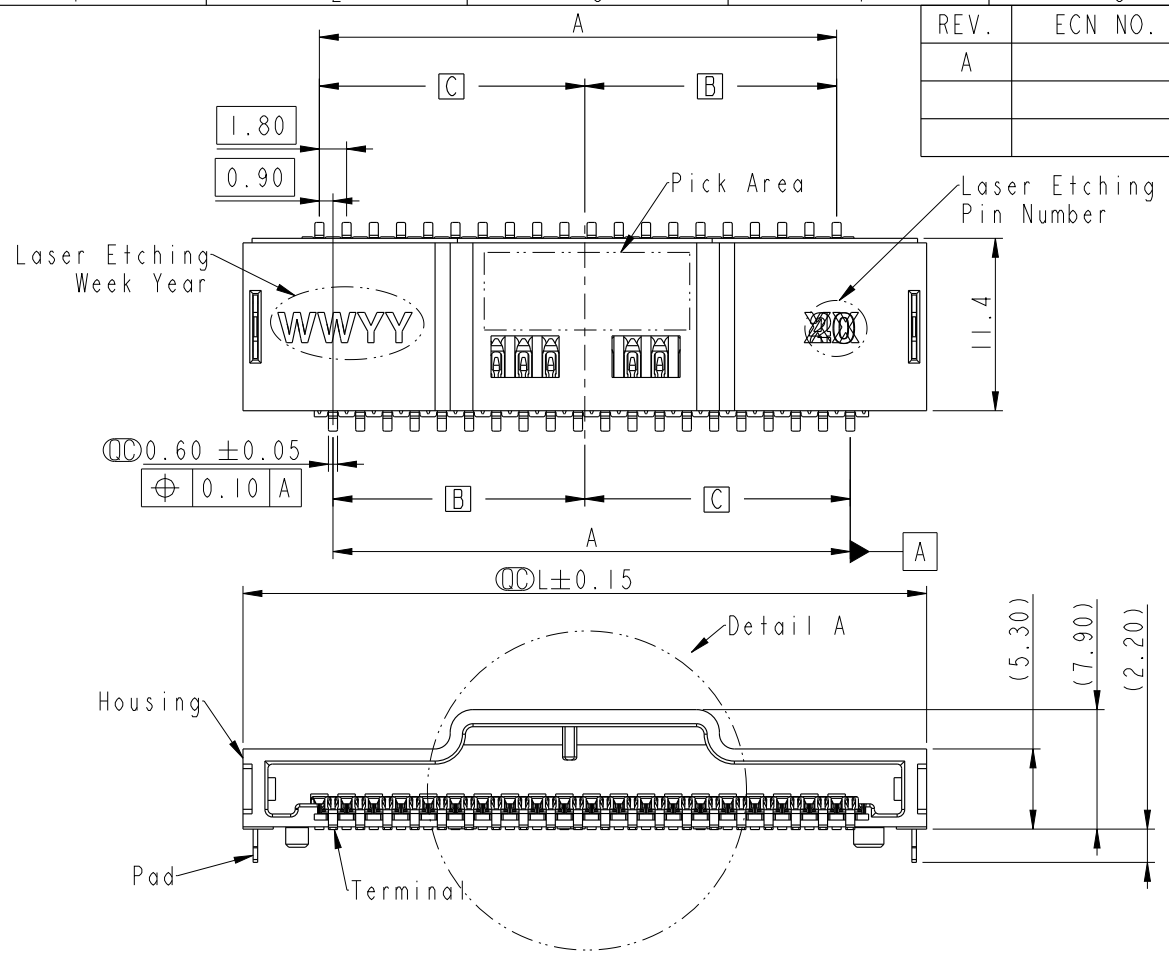


THIS DOCUMENT IS SUBJECT TO CHANGE WITHOUT NOTICE. IT IS CONFIDENTIAL AND A PROPERTY OF AMPHENOL LTW. DISCLOSURE TO THIRD PARTY HAS TO BE AUTHORIZED BY AMPHENOL LTW.

REV.	ECN NO.	DATE	SIGN	DESCRIPTION
A		2022/04/07	Xiaofeng	New Initial

ZCONNECT SIZE				
PIN	L(mm)	A(mm)	B(mm)	C(mm)
22	29.0	18.0	9.45	8.55
24	30.8	19.8	9.45	10.35
26	32.6	21.6	11.25	10.35
28	34.4	23.4	11.25	12.15
30	36.2	25.2	13.05	12.15
32	38.0	27.0	13.05	13.95
34	39.8	28.8	14.85	13.95
36	41.6	30.6	14.85	15.75
38	43.4	32.4	16.65	15.75
40	45.2	34.2	16.65	17.55



ZB- XX AFRS-BA0001
 XX-Number of Contacts

Note:
 * \varnothing Important Dimensions To Check.
 * Housing: Thermoplastic·Black.
 * Terminal: Copper Alloy·Gold Plated.
 * Pad: Metal.

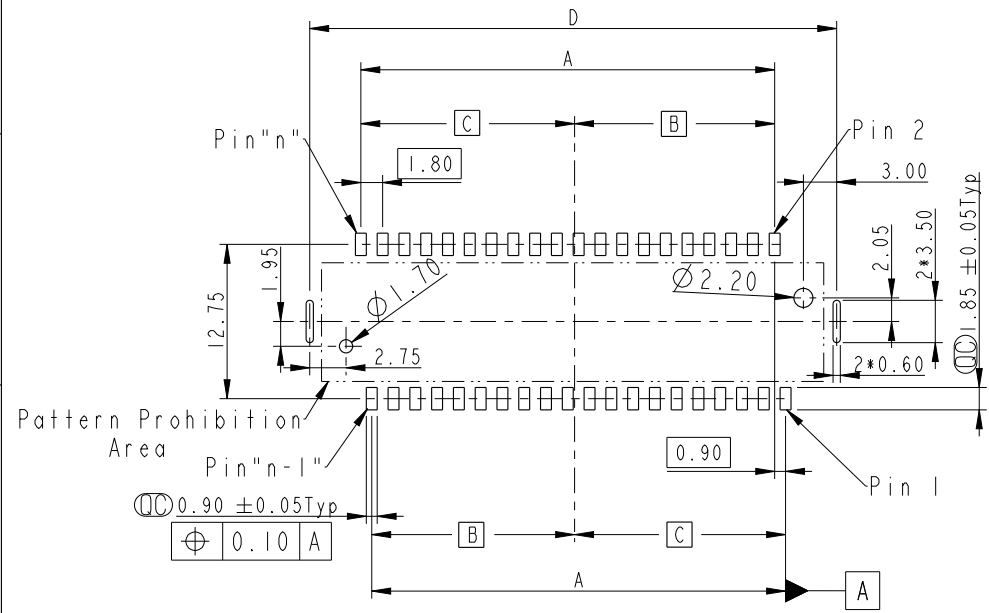
UNIT:mm	\varnothing	∇
TOLERANCE	.X	± 0.25
	.XX	± 0.1
	.XXX	± 0.05
	ANGLES	$\pm 1^\circ$

TITLE Z CONN., N SHLD, P 0.9, F SMD			
SCALE	SIZE	SHEET	OF
1:1	A4	1	4
REV.	WC-REV.	\varnothing : Inspection item	
A	.0		

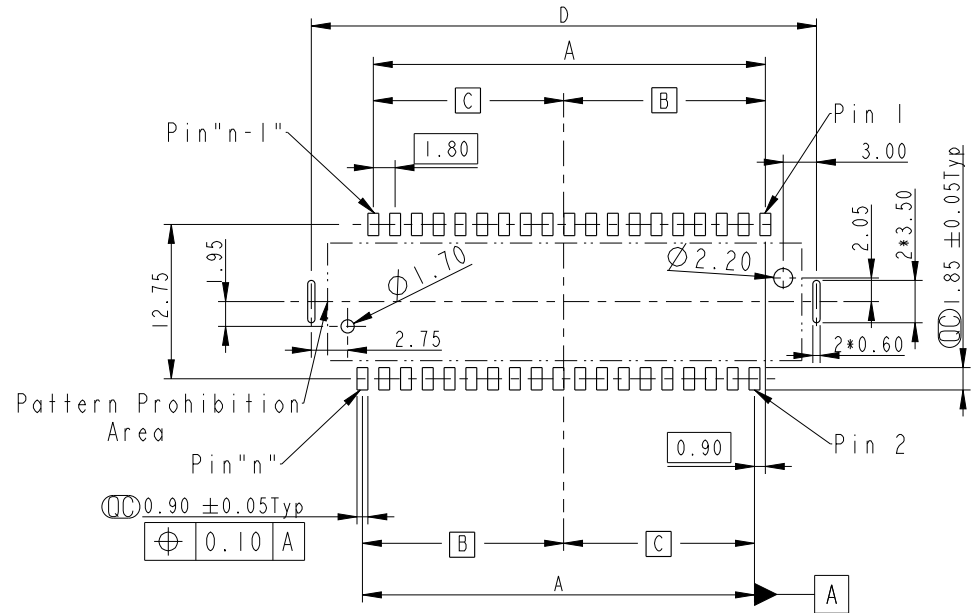
Amphenol LTW
 安費諾亮泰企業股份有限公司

ITEM NO	DRAWN BY	DATE
	Xiaofeng	2022/04/07
DWG NO	CHECKED BY	DATE
ZB-XXAFRS-BA0001	Feng-Li	2022/04/07
CUSTOMER	APPROVED BY	DATE
ALTW	Jerry	2022/04/07

THIS DOCUMENT IS SUBJECT TO CHANGE WITHOUT NOTICE. IT IS CONFIDENTIAL AND A PROPERTY OF Amphenol LTW. DISCLOSURE TO THIRD PARTY HAS TO BE AUTHORIZED BY Amphenol LTW.



RECOMMENDED PCB LAYOUT



RECOMMENDED PCB LAYOUT

PCB LAYOUT SIZE

PIN	A(mm)	B(mm)	C(mm)	D(mm)
24	19.8	9.45	10.35	29.15
28	23.4	11.25	12.15	32.75
32	27.0	13.05	13.95	36.35
36	30.6	14.85	15.75	39.95
40	34.2	16.65	17.55	43.55

PCB LAYOUT SIZE

PIN	A(mm)	B(mm)	C(mm)	D(mm)
22	18.0	9.45	8.55	27.35
26	21.6	11.25	10.35	30.95
30	25.2	13.05	12.15	34.55
34	28.8	14.85	13.95	38.15
38	32.4	16.65	15.75	41.75

UNIT: mm

TOLERANCE
 .X ±0.25
 .XX ±0.1
 .XXX ±0.05
 ANGLES ±1°

TITLE
 Z CONN., N SHLD, P 0.9, F SMD

SCALE
 1:1

REV.
 A

SIZE
 A4

WC-REV.
 .0

SHEET
 2 OF 4

②: Inspection item

Amphenol LTW
 安費諾亮泰企業股份有限公司

ITEM NO

DWG NO
 ZB-XXAFRS-BA0001

CUSTOMER
 ALTW

DRAWN BY
 Xiaofeng

CHECKED BY
 Feng-Li

APPROVED BY
 Jerry

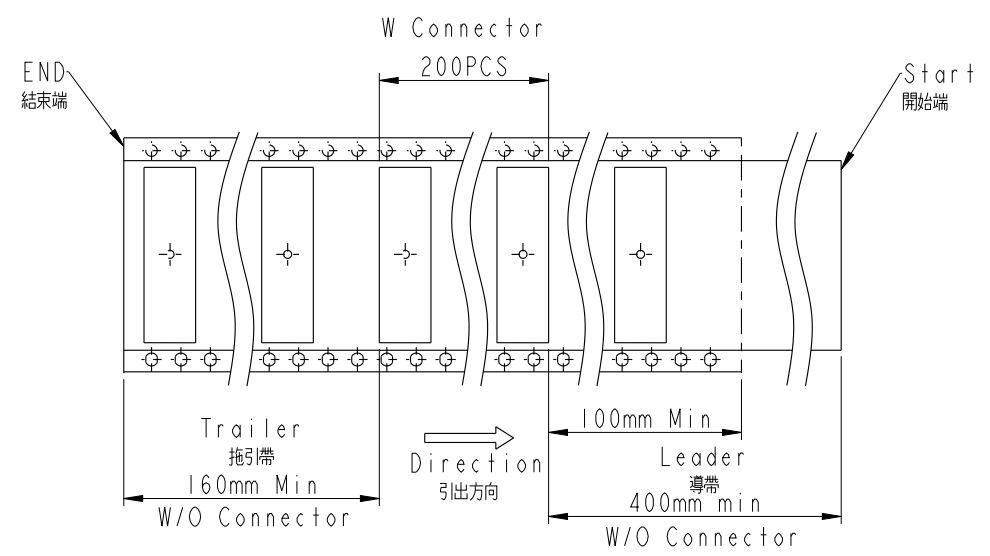
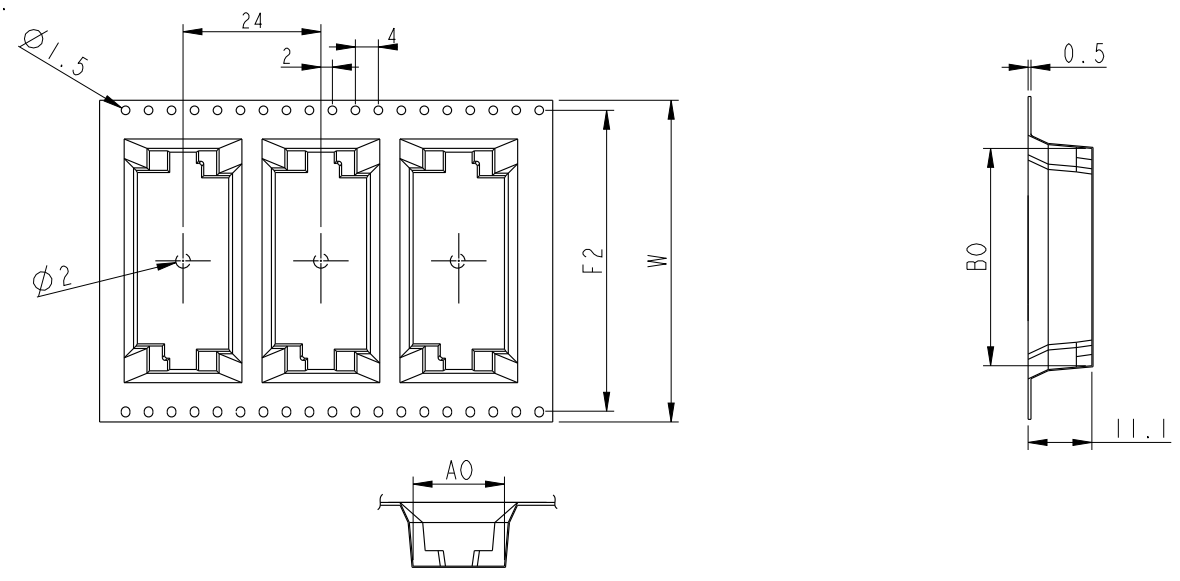
DATE
 2022/04/07

DATE
 2022/04/07

DATE
 2022/04/07

THIS DOCUMENT IS SUBJECT TO CHANGE WITHOUT NOTICE. IT IS CONFIDENTIAL AND A PROPERTY OF Amphenol LTW. DISCLOSURE TO THIRD PARTY HAS TO BE AUTHORIZED BY Amphenol LTW.

Packing:



PIN	B0(mm)	W(mm)	F2(mm)	A0(mm)
22	29.3	44	40.4	15.9
24	31.1	56	52.4	
26	32.9			
28	34.7			
30	36.5			
32	38.3			
34	40.1			
36	41.9			
38	43.7			
40	45.5			

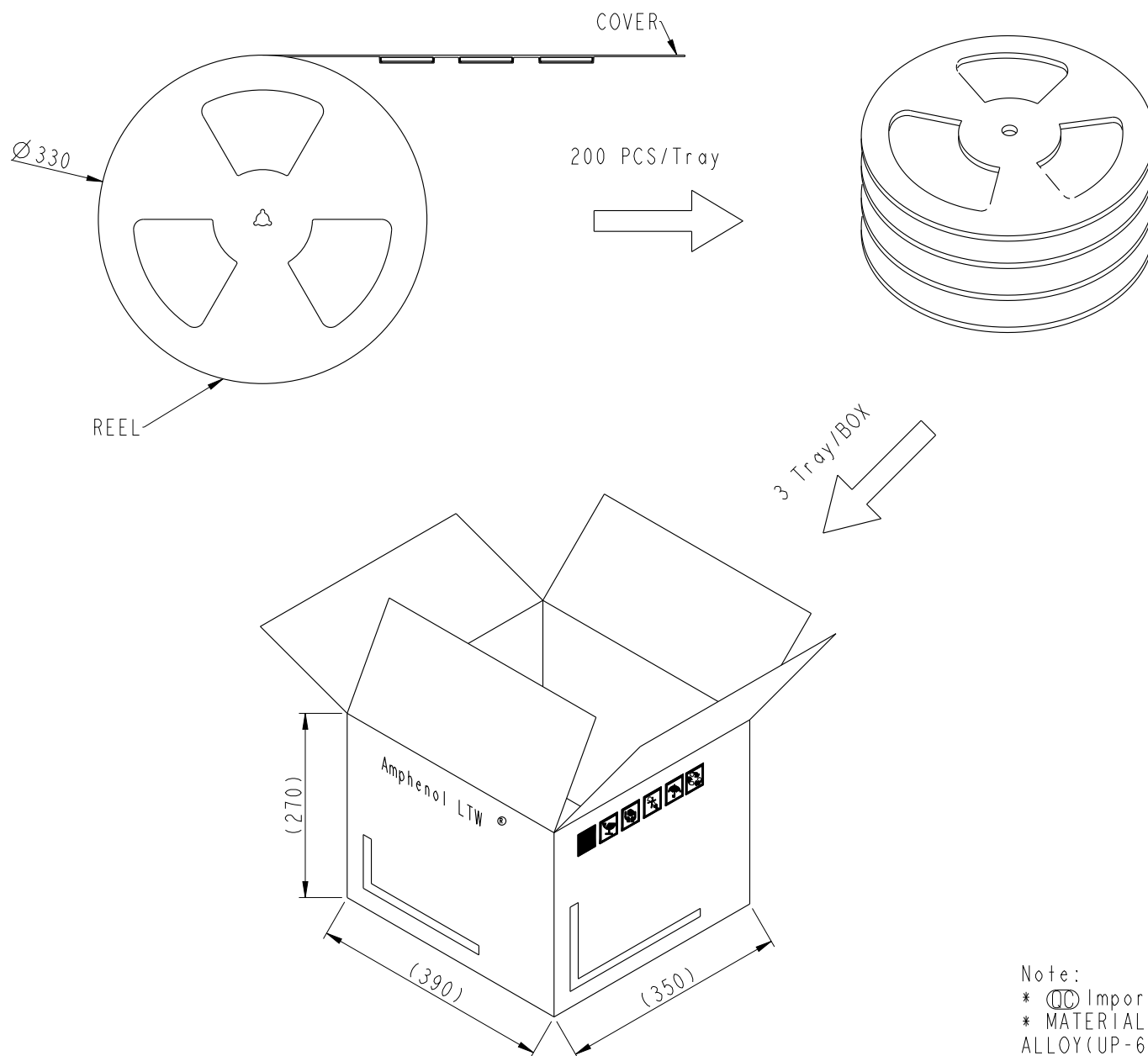
UNIT: mm		
TOLERANCE	.X ±0.25	
	.XX ±0.1	
	.XXX ±0.05	
ANGLES	±1°	

TITLE Z CONN., N SHLD, P 0.9, F SMD			
SCALE 1:1	SIZE A4	SHEET 3 OF 4	
REV. A	WC-REV. .0	☉: Inspection item	

Amphenol LTW
安費諾亮泰企業股份有限公司

ITEM NO	DRAWN BY Xiaofeng	DATE 2022/04/07
DWG NO ZB-XXAFRS-BA0001	CHECKED BY Feng-Li	DATE 2022/04/07
CUSTOMER ALTW	APPROVED BY Jerry	DATE 2022/04/07

THIS DOCUMENT IS SUBJECT TO CHANGE WITHOUT NOTICE. IT IS CONFIDENTIAL AND A PROPERTY OF Amphenol LTW. DISCLOSURE TO THIRD PARTY HAS TO BE AUTHORIZED BY Amphenol LTW.



Note:
 * \varnothing Important Dimensions To Check.
 * MATERIAL: BLACK CONDUCTIVE POLYSTYRENE ALLOY(UP-6100).

A	UNIT: mm		TITLE Z CONN., N SHLD, P 0.9, F SMD		ITEM NO		DRAWN BY Xiaofeng	DATE 2022/04/07
	TOLERANCE .X ±0.25 .XX ±0.1 .XXX ±0.05 ANGLES ±1°	SCALE 1:1	SIZE A4	SHEET 4 OF 4	DWG NO ZB-XXAFRS-BA0001	CHECKED BY Feng-Li	DATE 2022/04/07	
	REV. A	WC-REV. .0	\varnothing : Inspection item		CUSTOMER ALTW	APPROVED BY Jerry	DATE 2022/04/07	
	2	3	4	5	6	7	8	WI0814-03-2001A2

Amphenol LTW
 安費諾亮泰企業股份有限公司