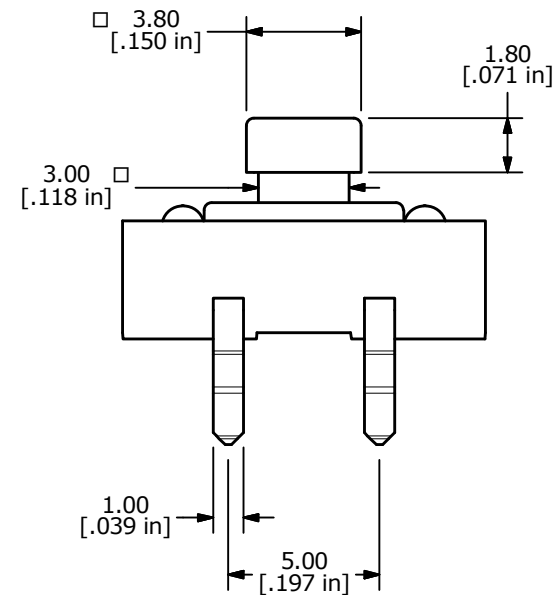
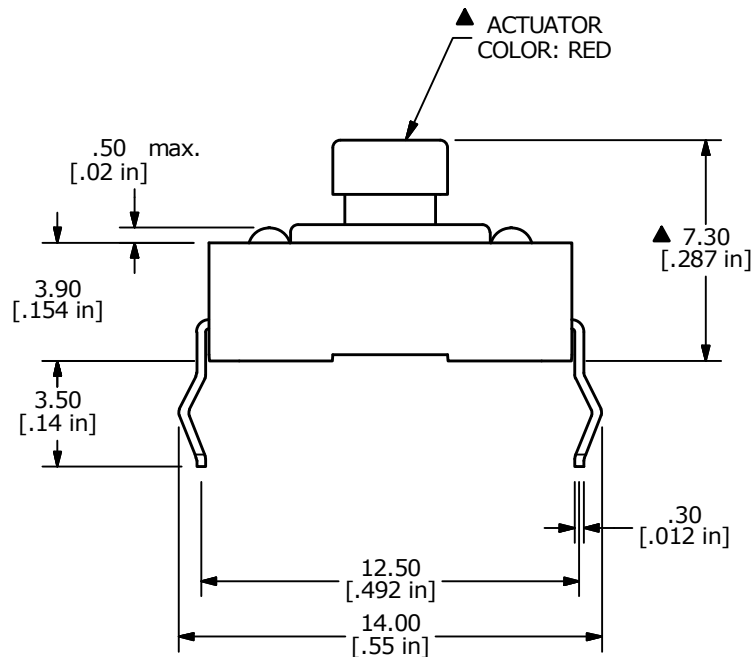


CIRCUIT: SPST



- NOTES:
1. ALL DIMENSIONS IN MM [INCH]
 2. GENERAL TOLERANCE: X.X = ± 0.4
X.XX = ± 0.25
 3. TERMINAL NUMBERS FOR REF. ONLY
 4. RATING: 50mA @ 12VDC
 5. TRAVEL: 0.30 ± 0.15mm
 - ▲ 6. OPERATING FORCE: 260 ± 50mm
 7. CONTACT RESISTANCE: 100mΩ MAX.
 8. ELECTRICAL LIFE: 100,000 CYCLES
 9. ▲ DENOTES CRITICAL PARAMETER



B	23660	drawing update to round corners	11/7/18	MW
A	20828	RELEASED	10/15/12	rc
REV	PCR NO	DESCRIPTION	DATE	BY

TITLE TL1100AF260Q				
SCALE	DATE	DR	DWG	REV
4:1	10/15/2012	rc	P001112	B

THE INFORMATION CONTAINED IN THIS DOCUMENT IS PROPRIETARY TO E-SWITCH AND IS NOT TO BE COPIED OR TRANSFERRED