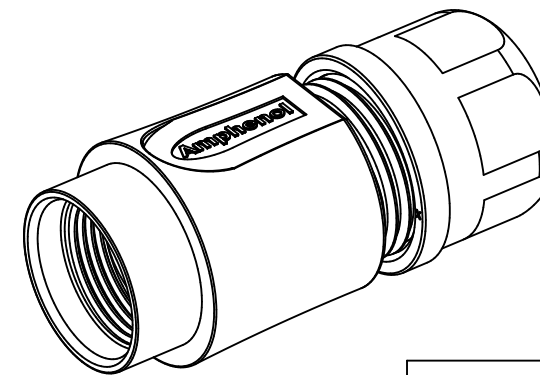
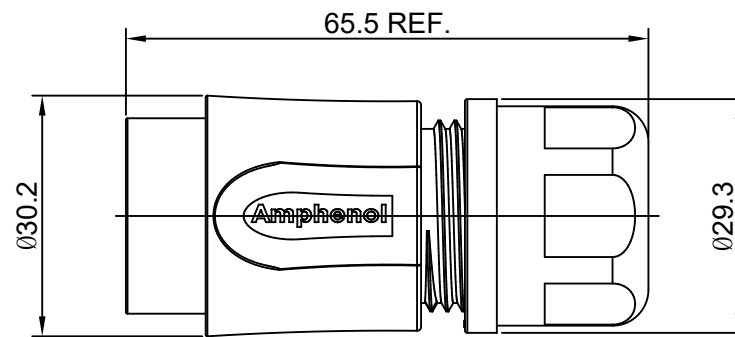
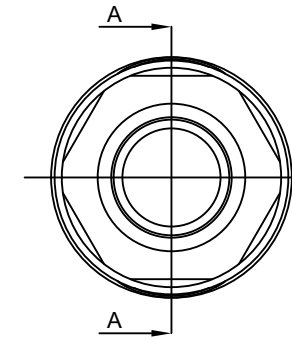
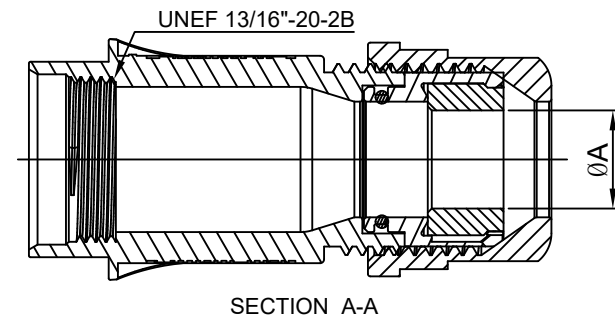


REVISIONS					
REV	ECO	DESCRIPTION	DATE	BY	APPR
01	-	RELEASED NUMBER	2018-02-28	Nick	TOMMY



DIMENSION ØA	CABLE OD RANGE
12.3MM	6.0-12.0MM
14.3MM	9.0-14.0MM

NOTES: (UNLESS OTHERWISE SPECIFIED)

- MATERIAL:  
 O-RING: SILICONE RUBBER.  
 BACK SHELL: THERMOPLASTIC, UL94 V-0.  
 CLAMP NUT: THERMOPLASTIC, UL94 V-0.  
 CLAMP RING: THERMOPLASTIC, UL94 V-0.  
 CABLE SEAL: EPDM.
- RoHS COMPLIANT.
- ALL DIMENSIONS ARE FOR REFERENCE USE ONLY.

QUANTITY	PART NUMBER	DESCRIPTION	ITEM																		
<b>MATERIALS LIST</b>																					
UNLESS OTHERWISE SPECIFIED 1) All dimensions are in metric(mm). 2) Tolerances are as follows: 1 PL DEC ±0.30 2 PL DEC ±0.15 3 PL DEC ±0.08 Fractions ±1/64 Angles ±1° 3) Note reference =		<table border="1"> <thead> <tr> <th>SIGNATURES</th> <th>DATE</th> </tr> </thead> <tbody> <tr> <td>DRAWN: Nick</td> <td>2018-02-28</td> </tr> <tr> <td>CHECKED: Tod</td> <td>2018-02-28</td> </tr> <tr> <td>ENGINEER:</td> <td></td> </tr> <tr> <td>APPROVAL: Tommy</td> <td>2018-02-28</td> </tr> </tbody> </table>	SIGNATURES	DATE	DRAWN: Nick	2018-02-28	CHECKED: Tod	2018-02-28	ENGINEER:		APPROVAL: Tommy	2018-02-28	<table border="1"> <tr> <td colspan="2" style="text-align: center;"><b>Amphenol</b></td> </tr> <tr> <td colspan="2" style="text-align: center;">Sine Systems - www.amphenol-sine.com</td> </tr> <tr> <td colspan="2" style="text-align: center;">44724 Morley Drive</td> </tr> <tr> <td colspan="2" style="text-align: center;">Clinton Township, MI 48036</td> </tr> </table>	<b>Amphenol</b>		Sine Systems - www.amphenol-sine.com		44724 Morley Drive		Clinton Township, MI 48036	
SIGNATURES	DATE																				
DRAWN: Nick	2018-02-28																				
CHECKED: Tod	2018-02-28																				
ENGINEER:																					
APPROVAL: Tommy	2018-02-28																				
<b>Amphenol</b>																					
Sine Systems - www.amphenol-sine.com																					
44724 Morley Drive																					
Clinton Township, MI 48036																					
MATERIAL SPECIFICATIONS:		CUSTOMER: ECO-MATE, CORD GRIP, RTS, SIZE 14.																			
PROCESS SPECIFICATIONS:		THIS DRAWING IS SUPPLIED FOR INFORMATION ONLY. DESIGN FEATURES, SPECIFICATIONS AND PERFORMANCE DATA SHOWN HEREON ARE THE PROPERTY OF THE AMPHENOL CORPORATION. NO RIGHTS OF REPRODUCTION ARE IMPLIED. ALL DIMENSIONS ARE SUBJECT TO NORMAL MANUFACTURING VARIATIONS.																			
NEXT ASSY:		<table border="1"> <tr> <td>SIZE</td> <td>TYPE</td> <td>DWG NO:</td> <td>REVISION</td> </tr> <tr> <td>B</td> <td>C-</td> <td>RTSOL-14CG</td> <td>A1</td> </tr> </table>	SIZE	TYPE	DWG NO:	REVISION	B	C-	RTSOL-14CG	A1											
SIZE	TYPE	DWG NO:	REVISION																		
B	C-	RTSOL-14CG	A1																		
		SCALE: NONE	SHEET 1 OF 1																		

TITLE: ECO-MATE, CORD GRIP, RTS, SIZE 14.  
 DWG NO: RTSOL-14CG  
 REV: A1  
 SH: 1  
 OF: 1