

REV. Status
REVISION - 07/28/08 MP
REVISION A UPDATED SAFETY 09/29/11 MP
REVISION B ADD FUSE INFO 01/18/12 MP
REVISION C SAFETY NOTES ADDED 03/20/13 MP
REVISION D CHANGED PHONE# 01/17/20 MP

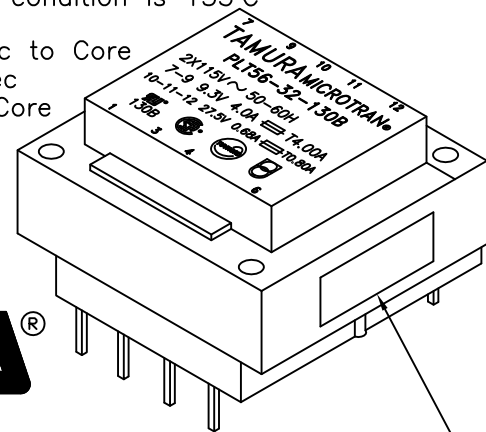
THREE FLANGE DUAL PRIMARY 56VA PC BOARD POWER TRANSFORMER

A. Electrical Specifications (@ 25°C)

- Maximum Power: 56VA
- Primary Voltage and Frequency: 115/230VAC 50/60Hz
- Secondary RMS Rating:
(7-9); 9.3VAC @ 4.0A LOAD.
(10-12); 27.5VAC CT @ 0.68A LOAD.
- Voltage Regulation: 17% TYP @ full load to no load
- Temperature Rise(normal op. cond.): 63°C TYP (75°C MAX)
- A 10% Input Voltage change will proportionally affect transformer sec voltage. The max. allowed wdg temp under abnormal condition is 155°C
- Insulation Resistance:
100MΩ MIN @ 500VDC, Pri to Sec, Pri to Core, Sec to Core
- Dielectric Withstand: 3750Vrms 1 minute @ Pri to Sec
1500Vrms 1 minute @ Pri to Core, Sec to Core



MODEL NUMBER
PLT56-32-130B



Date code and country of origin

B. Marking: includes input and output ratings

C. Safety:

Conforms to construction requirement of:
UL5085-1, -2; CSA No. 66.1, 66.2
(from Datecode 1143 and onwards).
UL506, UL1411
UL1446(CLASS 130(B))
EN61558-1, -2-6



Safety certificate file reference:

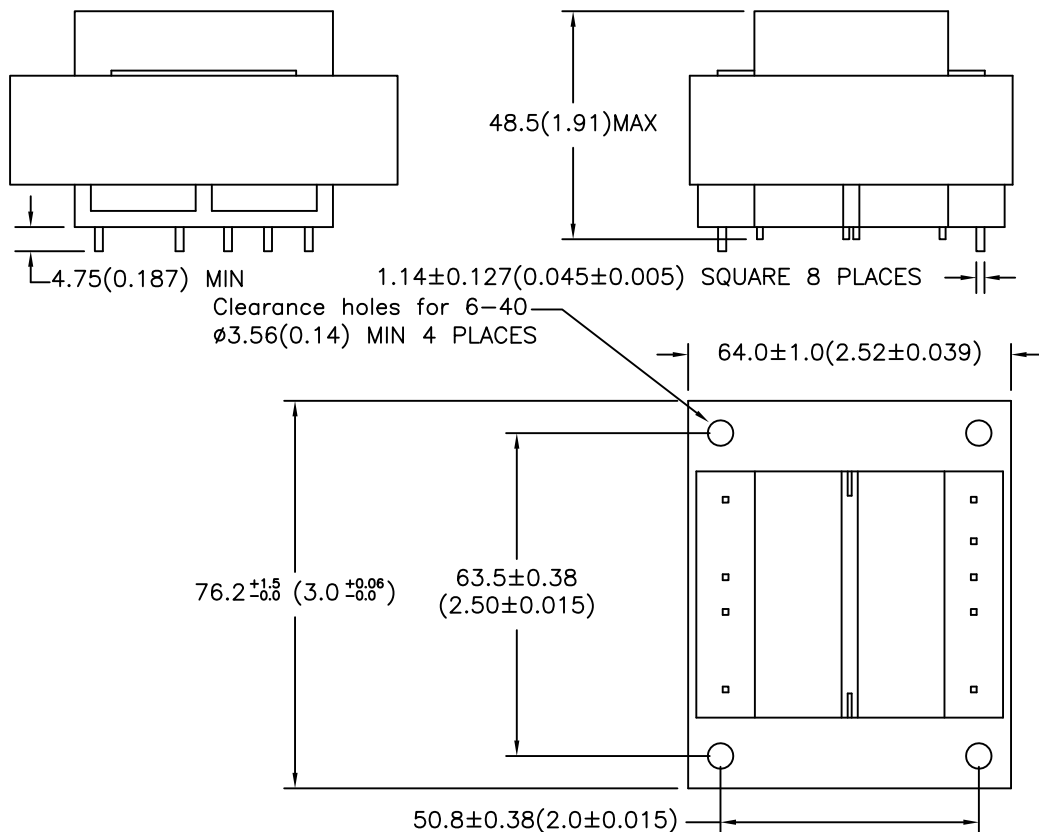
UL File# E138028, E79781, E92957
CSA File# 175561
TUV (P.S.) File# 4478013415698

Non short-circuit proof safety isolating transformer.

Intended for mounting on PCBs and for building into end use-equipment.

Not intended for series/parallel connection with other transformers.

D. Mechanical Specifications:



TOLERANCES (mm)
≤ 4 ± 0.2
4 ≤ 20 ± 0.3
20 ≤ 50 ± 0.4

PREPARED BY:

C. POPPE

NOTE: BOARD WASHING IS NOT RECOMMENDED FOR THESE PARTS.

ENGINEER:
M. PITCHAI
SAFETY ENGINEER

DRAWING CONTROL NO.
P-A1-13645
REV
D

MODEL DESCRIPTION
POWER TRANSFORMER

MODEL SPECIFICATION
PLT56-32-130B

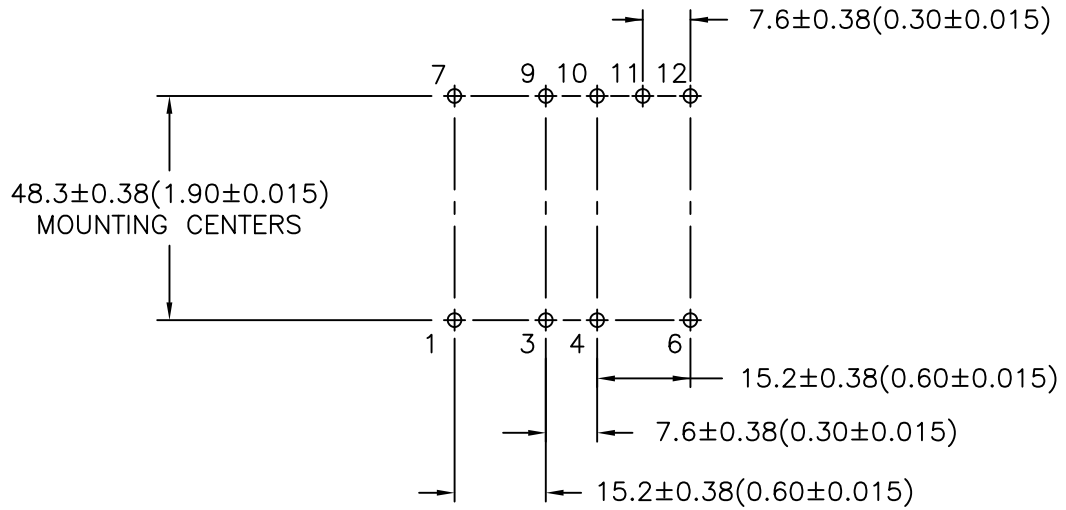
CONTENTS OF THIS DRAWING ARE SUBJECT TO CHANGE WITHOUT PRIOR NOTICE
TAMURA CORPORATION OF AMERICA
1040 SOUTH ANDREASEN DRIVE, #100 ESCONDIDO, CA. 92029
(760) 871-2009

DIM: mm[In] SCL: 1/1 SH: 1 OF 2

APPROVED:
M. PITCHAI

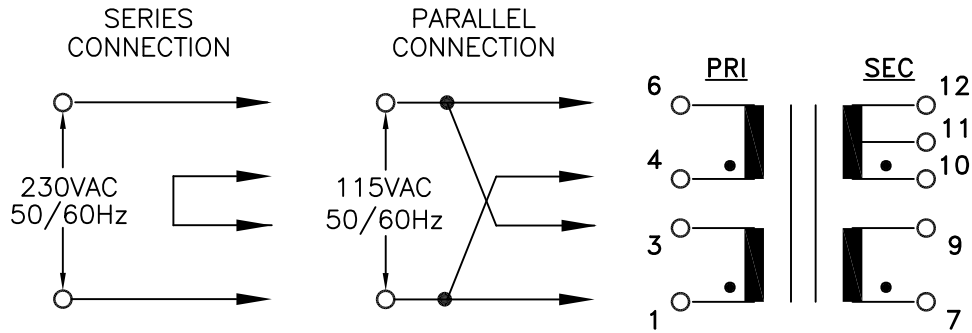
PROPRIETARY NOTICE: THIS DRAWING PRINT OR DOCUMENT AND SUBJECT MATTER DISCLOSED HEREIN ARE PROPRIETARY ITEMS TO WHICH TAMURA RETAINS THE EXCLUSIVE RIGHT OF DISSEMINATION, REPRODUCTION, MANUFACTURE AND SALE. THIS DRAWING, PRINT OR DOCUMENT IS SUBMITTED IN CONFIDENCE FOR CONSIDERATION BY THE RECIPIENT ALONE UNLESS PERMISSION FOR FURTHER DISCLOSURE IS EXPRESSLY GRANTED IN WRITING.

E. Mounting Footprint:

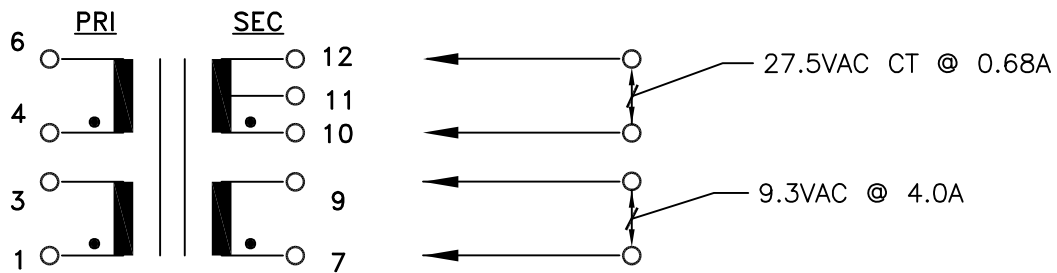


F. Schematic Diagram:

PRIMARY INPUT CONNECTIONS



SECONDARY OUTPUT CONNECTIONS



Note:
Required Secondary Fusing.
Winding (7-9): T4.00A
Winding (10-12): T0.80A
Fuse accordance with IEC60127-2

PREPARED BY:

C. POPPE

ENGINEER:
M. PITCHAI
SAFETY ENGINEER

DRAWING CONTROL NO. P-A1-13645
REV D
CONTENTS OF THIS DRAWING ARE SUBJECT TO CHANGE WITHOUT PRIOR NOTICE

MODEL DESCRIPTION
POWER TRANSFORMER
TAMURA CORPORATION OF AMERICA
1040 SOUTH ANDREASEN DRIVE, #100 ESCONDIDO, CA. 92029
(760) 871-2009

MODEL SPECIFICATION
PLT56-32-130B
DIM: mm[In] SCL: 1/1 SH: 2 OF 2

APPROVED:
M. PITCHAI

PROPRIETARY NOTICE: THIS DRAWING PRINT OR DOCUMENT AND SUBJECT MATTER DISCLOSED HEREIN ARE PROPRIETARY ITEMS TO WHICH TAMURA RETAINS THE EXCLUSIVE RIGHT OF DISSEMINATION, REPRODUCTION, MANUFACTURE AND SALE. THIS DRAWING, PRINT OR DOCUMENT IS SUBMITTED IN CONFIDENCE FOR CONSIDERATION BY THE RECIPIENT ALONE UNLESS PERMISSION FOR FURTHER DISCLOSURE IS EXPRESSLY GRANTED IN WRITING.