

HMI-001

Data Logging, Threshold and Differential Alarms, with Ethernet Connectivity and Cloud Visualization

OSENSA's HMI-001 touch panel display provides remote ethernet connectivity, real-time display and data logging for up to 99 fiber optic input channels. It also supports up to 9 auxiliary sensor inputs from third-party Modbus RTU enabled devices for monitoring parameters such as ambient pressure and humidity. The HMI includes native support for Modbus TCP/IP and DNP3 with TLS security. Log files can be retrieved on a USB memory stick or over a secure FTP or SSH connection. Optional cloud connectivity enables historical and real-time graphical visualization from any web enabled device.

TECHNICAL SUPPORT

OSENSA Innovations offers on-site support, commissioning, and training for all of its products. For immediate assistance with any technical issue, please contact support@osensa.com or call 1-888-732-0016.

WARRANTY INFORMATION

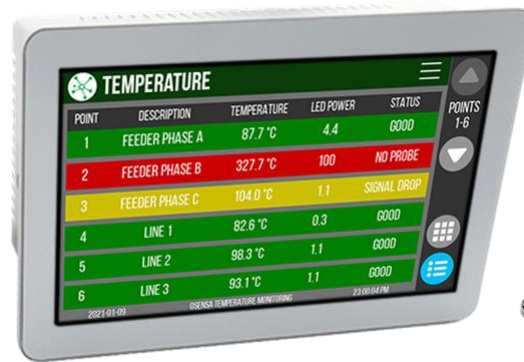
OSENSA Innovations stands behind its products and services. All fiber optic temperature probes and signal conditioners ship with a full one year repair or replacement warranty. You may also purchase an extended five year warranty. Some conditions apply.

CUSTOM OEM SOLUTIONS



OSENSA offers cost-effective design and consulting services at discounted rates for high-volume OEM customers. Let the engineering team at OSENSA Innovations help you rapidly develop custom probes for your research application. OSENSA's team has many years of experience designing fiber optic temperature probes for various laboratory environments.

FURTHER INFORMATION

For more information on any of our products or services please visit our website: www.osensa.com or email: info@osensa.com.



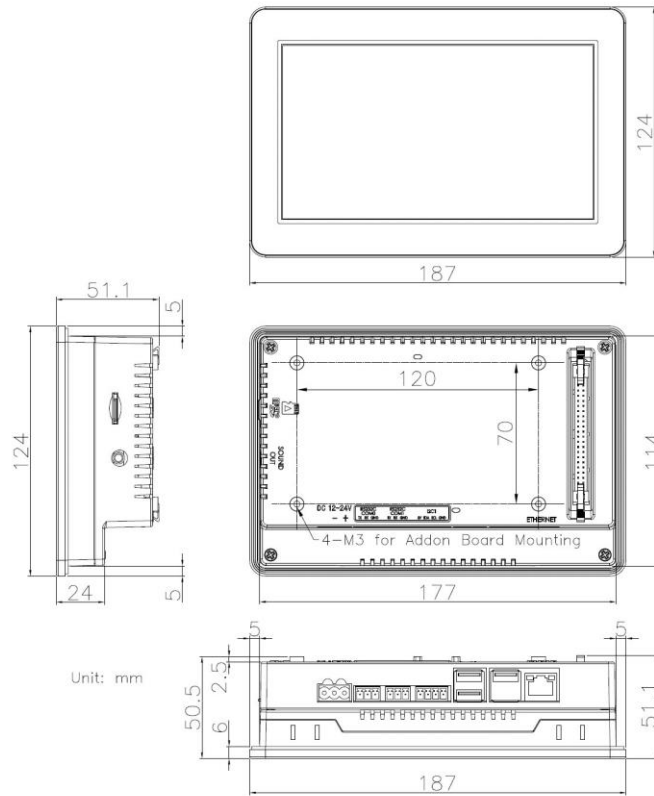
Product Specifications

Model Name	HMI-001
Touch Screen	7-inch full color, 800x480 pixels
Operating System	Linux
Boot Device	16 GB Removable micro SD card
Internal RAM	1 GB
Power	12~24 VDC, 6W max
Ethernet	RJ45 10/100 Mbps
USB	3x USB 2.0 ports
Wi-Fi	Supported with USB dongle
RS-232	3 wire
RS-485	3 wire Modbus RTU Master/Slave
Network Protocols	Modbus over TCP/IP, DNP3 with TLS over TCP/IP, SFTP and SSH
Real Time Clock	Yes, with internal battery
Operating Environment	-20°C to +70°C, 0 to 90% RH
Housing	Flame-retardant ABS, IP65 water resistant front panel
Dimensions	187mm Wide x 124mm High x 51mm Deep
Weight	0.5 kg
Product Compliance*	 

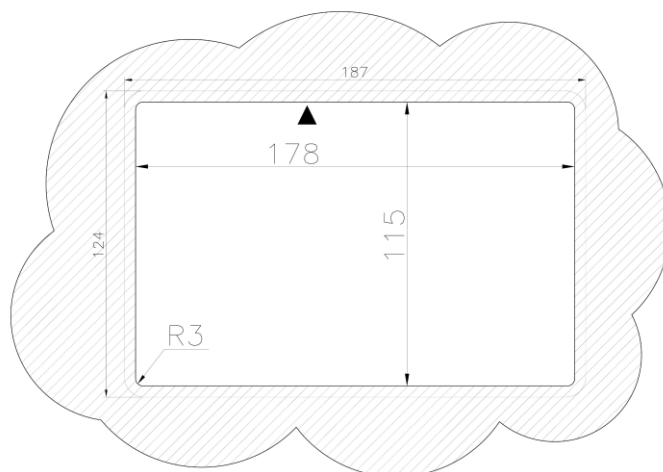
*UL Certification optional



Product Dimensions



Panel Cut-out Dimensions



TECHNICAL SUPPORT

OSENSA Innovations offers on-site support, commissioning, and training for all of its products. For immediate assistance with any technical issue, please contact support@osensa.com or call 1-888-732-0016.

WARRANTY INFORMATION

OSENSA Innovations stands behind its products and services. All fiber optic temperature probes and signal conditioners ship with a full one year repair or replacement warranty. You may also purchase an extended five year warranty. Some conditions apply.

CUSTOM OEM SOLUTIONS

OSENSA offers cost-effective design and consulting services at discounted rates for high-volume OEM customers. Let the engineering team at OSENSA Innovations help you rapidly develop custom probes for your research application. OSENSA's team has many years of experience designing fiber optic temperature probes for various laboratory environments.

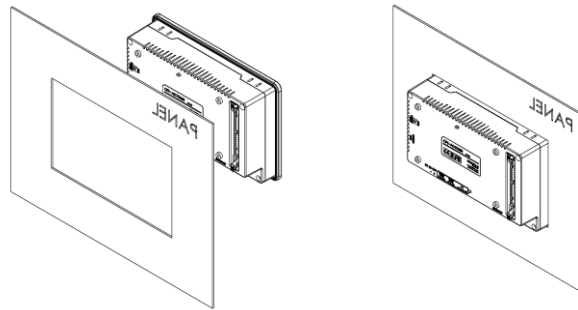
FURTHER INFORMATION

For more information on any of our products or services please visit our website: www.osensa.com or email: info@osensa.com.

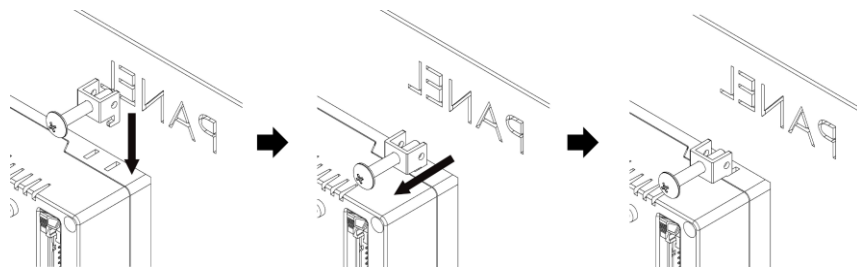


Panel Mount Installation

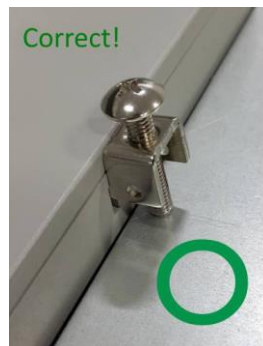
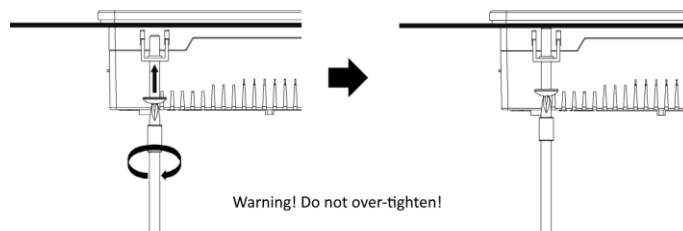
1. Prepare a panel cut-out according to the dimensions noted above and insert the display into the cut-out.



2. Insert the panel mount brackets into the bracket mounting holes as shown in the image below, pulling the bracket to lock it into place.



3. Tighten the bracket mounting bolts to secure the display to the panel. **The recommended torque is 0.4 Nm.**



4. Repeat for each bracket and verify that the display is properly mounted and secured to the panel.

TECHNICAL SUPPORT

OSENSA Innovations offers on-site support, commissioning, and training for all of its products. For immediate assistance with any technical issue, please contact support@osensa.com or call 1-888-732-0016.

WARRANTY INFORMATION

OSENSA Innovations stands behind its products and services. All fiber optic temperature probes and signal conditioners ship with a full one year repair or replacement warranty. You may also purchase an extended five year warranty. Some conditions apply.

CUSTOM OEM SOLUTIONS

OSENSA offers cost-effective design and consulting services at discounted rates for high-volume OEM customers. Let the engineering team at OSENSA Innovations help you rapidly develop custom probes for your process control application. OSENSA's team has many years of experience designing fiber optic temperature probes for various industrial environments.

FURTHER INFORMATION

For more information on any of our products or services please visit our website: www.osensa.com or email: info@osensa.com.

