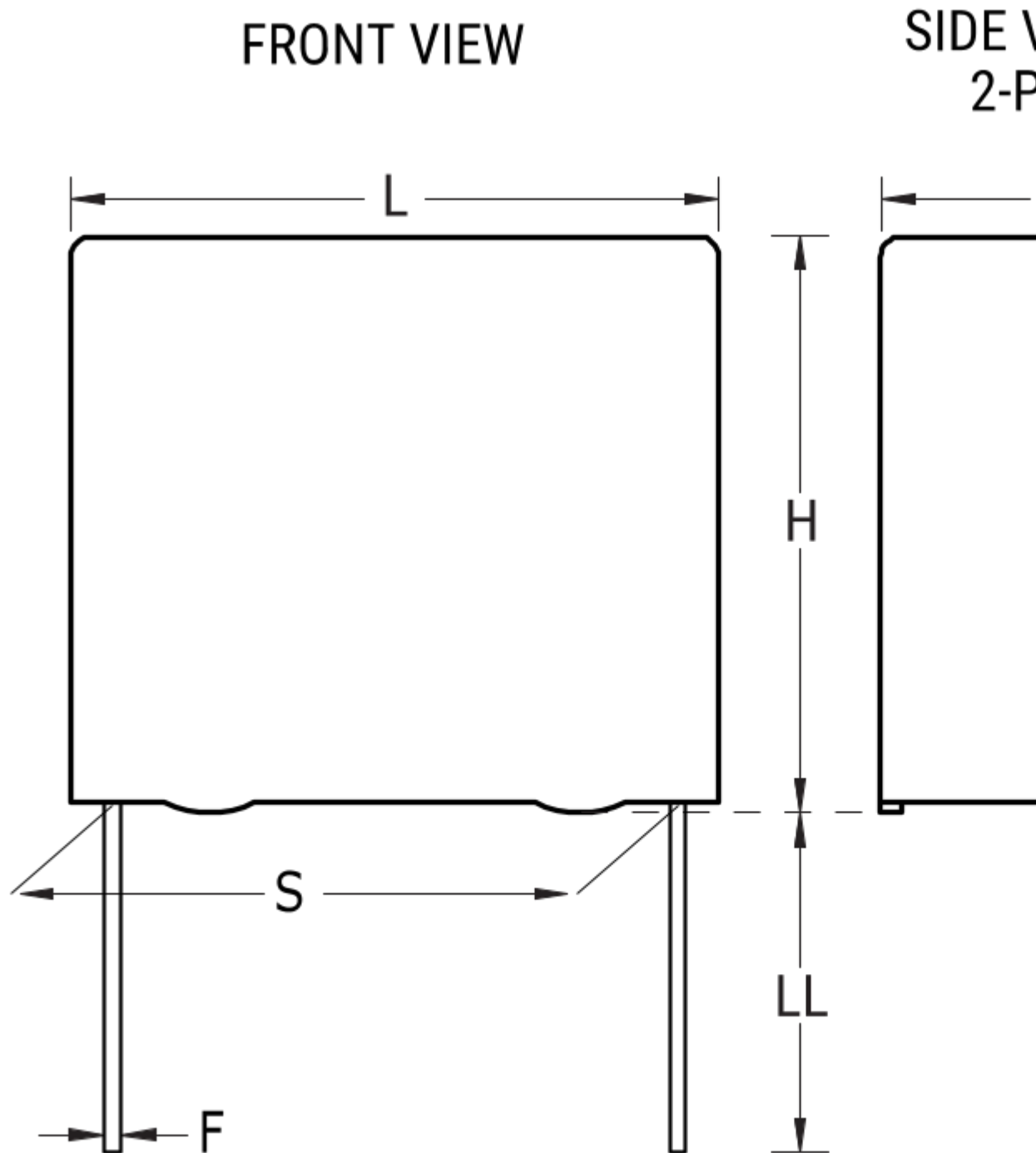


# F5ACC4220Z3C7K

## Aliases (5ACC4220Z3C7K)

Not for New Design

F5A, Film, Metallized Polyester, Varistor/Capacitor, 2.2 uF, 10%, 50 VDC, 100°C, Lead Spacing = 5mm



Click [here](#) for the 3D model.

### Dimensions

L 7.5mm MAX

### Dimensions

H 11.1mm MAX  
T 6.1mm MAX  
S 5mm +/-0.4mm  
LL 17mm +1/-2mm  
F 0.6mm +/-0.05mm

### Packaging Specifications

Packaging Bulk, Bag  
Packaging Quantity 1000

### General Information

Series F5A  
Dielectric Metallized Polyester  
Style Radial  
Features EMI-RFI suppressors for DC motors  
RoHS Yes  
Lead Wire Leads  
Qualifications AEC-Q200  
AEC-Q200 Yes  
Component Weight 1.01 g  
Miscellaneous The Rated Voltage Decreases 2%/C Between +100C And +125C.  
Varistor= 68 VDC.

### Specifications

Capacitance 2.2 uF  
Capacitance Tolerance 10%  
Voltage DC 50 VDC, 25 VDC (125C)  
Temperature Range -55/+125°C  
Rated Temperature 100°C  
Dissipation Factor 1% 1kHz

Statements of suitability for certain applications are based on our knowledge of typical operating conditions for such applications, but are not intended to constitute - and we specifically disclaim - any warranty concerning suitability for a specific customer application or use. This Information is intended for use only by customers who have the requisite experience and capability to determine the correct products for their application. Any technical advice inferred from this Information or otherwise provided by us with reference to the use of our products is given gratis, and we assume no obligation or liability for the advice given or results obtained.

Generated 5/18/2023 - 04f2a170-5d4e-4888-b869-5b9800371f9f  
© 2006 - 2023 KEMET  
Generated 5/18/2023 - 04f2a170-5d4e-4888-b869-5b9800371f9f  
© 2006 - 2023 KEMET