

4

3

2

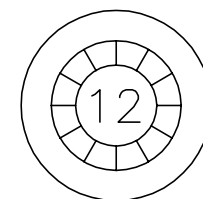
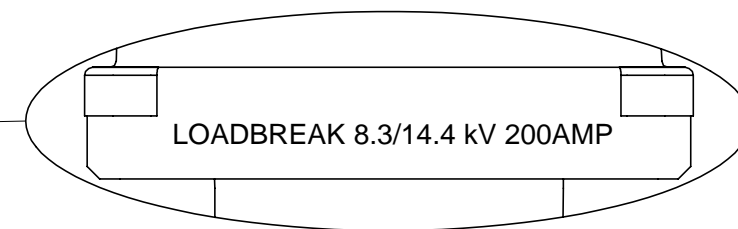
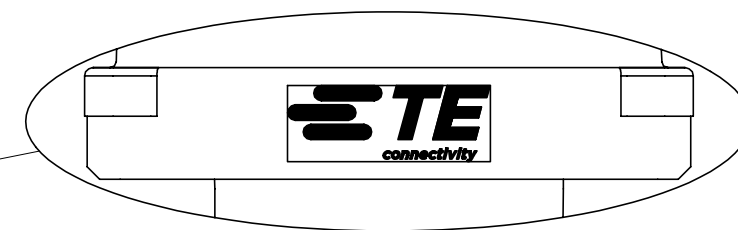
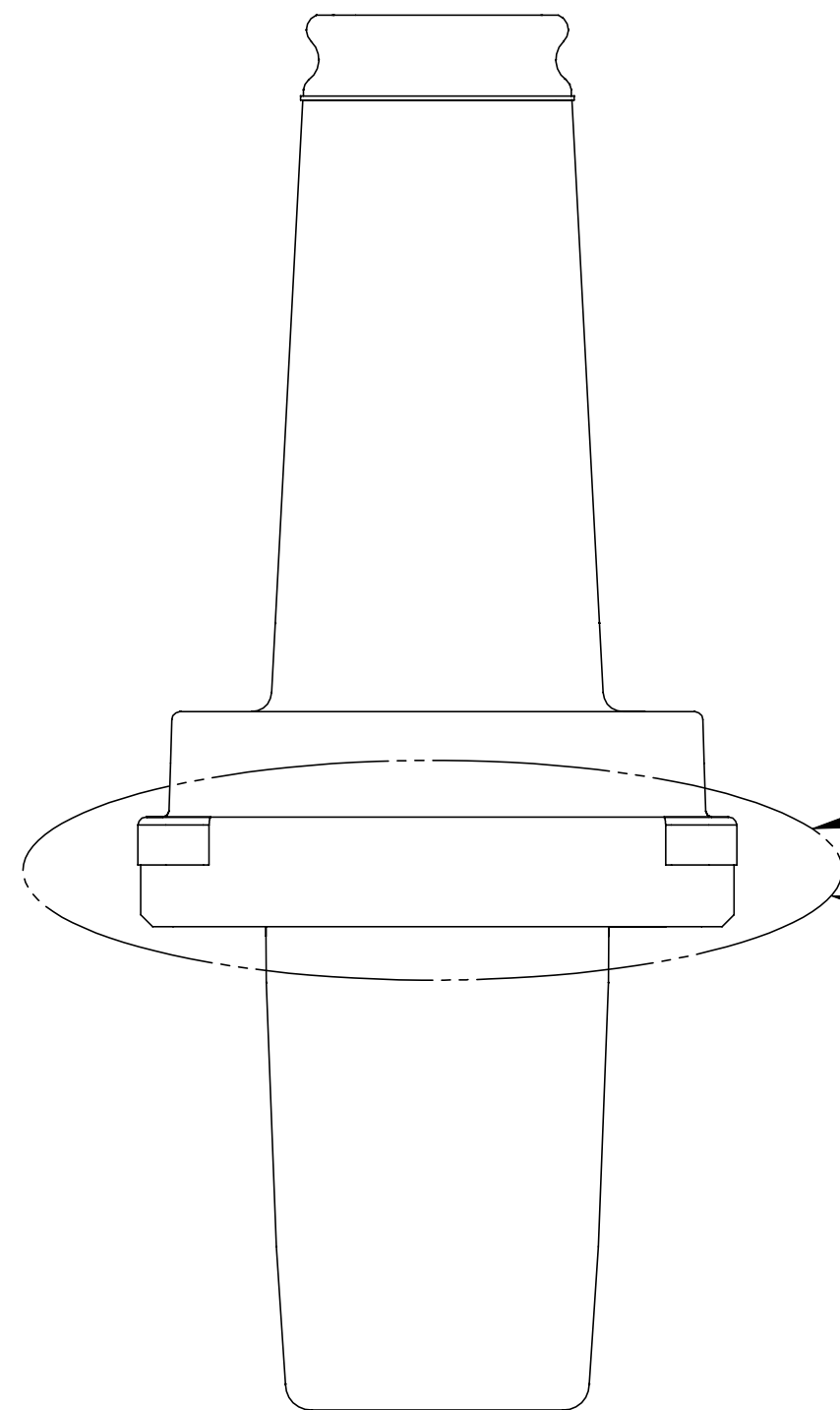
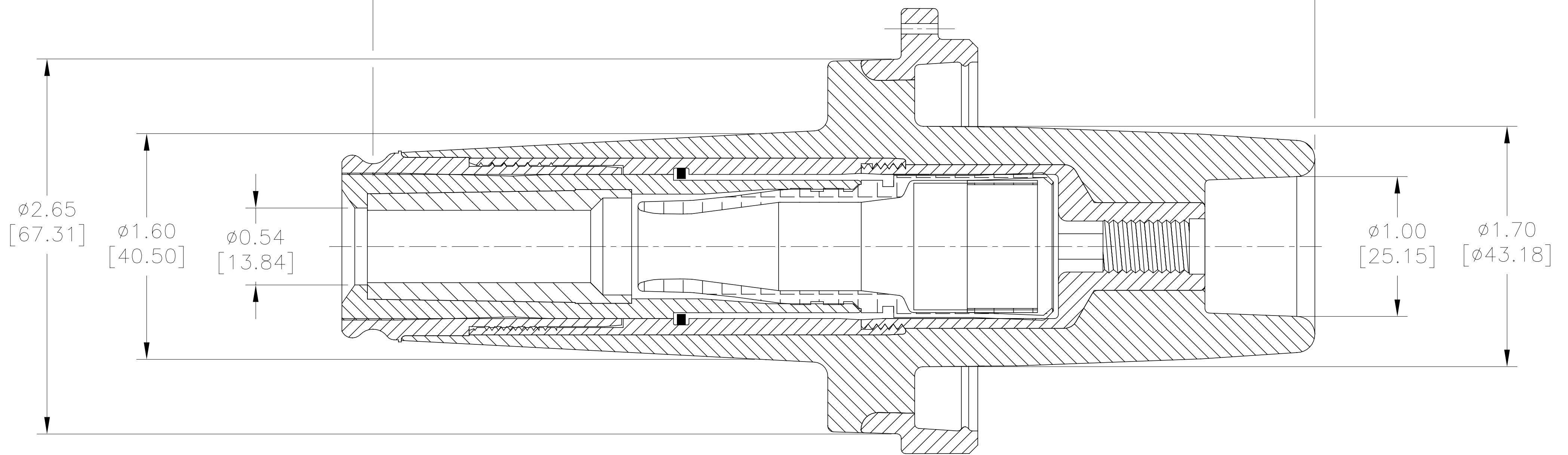
1

© - TE Connectivity. All Rights Reserved.

EE5631-000	ELB-15-200-BI
RPN	DESCRIPTION

REVISIONS					
P	LTR	DESCRIPTION	DATE	DWN	APVD
	B	NEW DRAWING	15JUL2020	KR	EDW

6.67 [169.27] REF



DWN	15JUL2020	TE Connectivity Ltd.	NAME		
CHK	15JUL2020		15KV 200A, BUSHING INSERT		
APVD	15JUL2020		PRODUCT SPEC		
APPLICATION SPEC		SIZE	CAGE CODE	DRAWING NO	RESTRICTED TO
WEIGHT		A2	00779	C=NC-P5002	-
CUSTOMER DRAWING		SCALE	SHEET	REV	
		NTS	1 of 1	B	

DIMENSIONS:
INCHES [mm]