

# TENSILITY

## Product Change Notification

August 25, 2015

PCN issue number: 00103

Product Type: 90 ° Audio-Video cable

Change type: Overmold tooling change

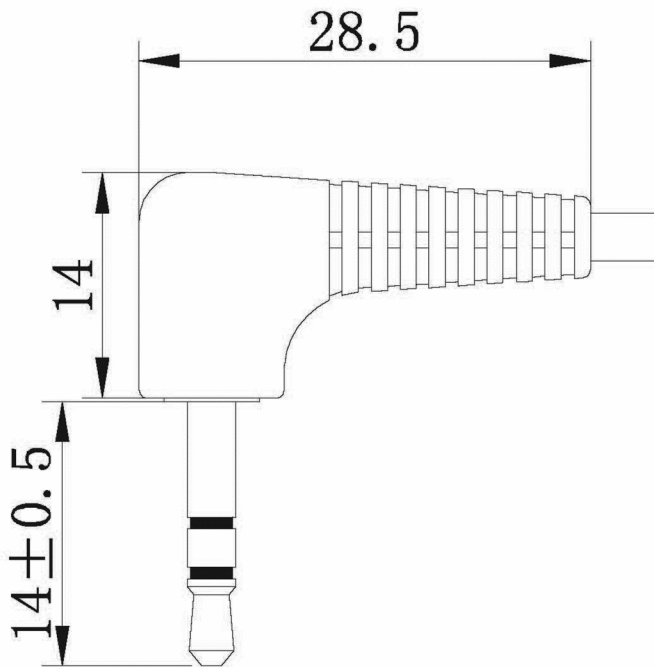
Products affected by change:

Part Number	Part Description
053-0282R	Cable, 1830 mm, 3.5 mm 90° 50-00265 stereo plug to stripped tinned, 24 AWG, 30-00174 wire, shielded

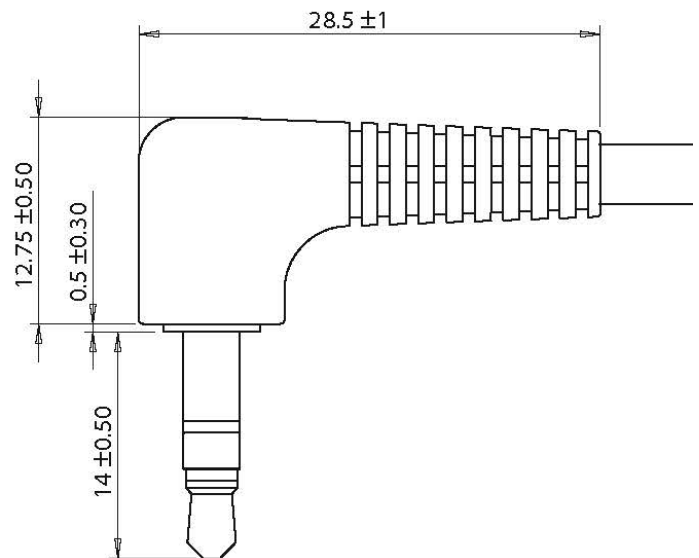
**Product specification change:** The revised specification reflects the overmold change and clarifies the length of the connector's exposed collar to be  $0.5 \pm 0.3$  mm.

### Configuration change:

This part was changed to use overmold tooling which reduces the overmold height from 14 mm to  $12.75 \pm 0.50$  mm.



Old Version



New Version

# TENSILITY

**Reason for change:**

This part change was implemented to consolidate tooling and overmold configurations.

**Anticipated impact on fit, form, function and reliability:**

In applications with very little clearance around the overmold it is possible that the change will cause interferences with surrounding components. There will be no other changes to fit, form, function or reliability.

Please direct all questions regarding this PCN to:

[info@tensility.com](mailto:info@tensility.com)

541-323-3228