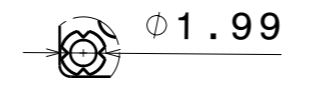
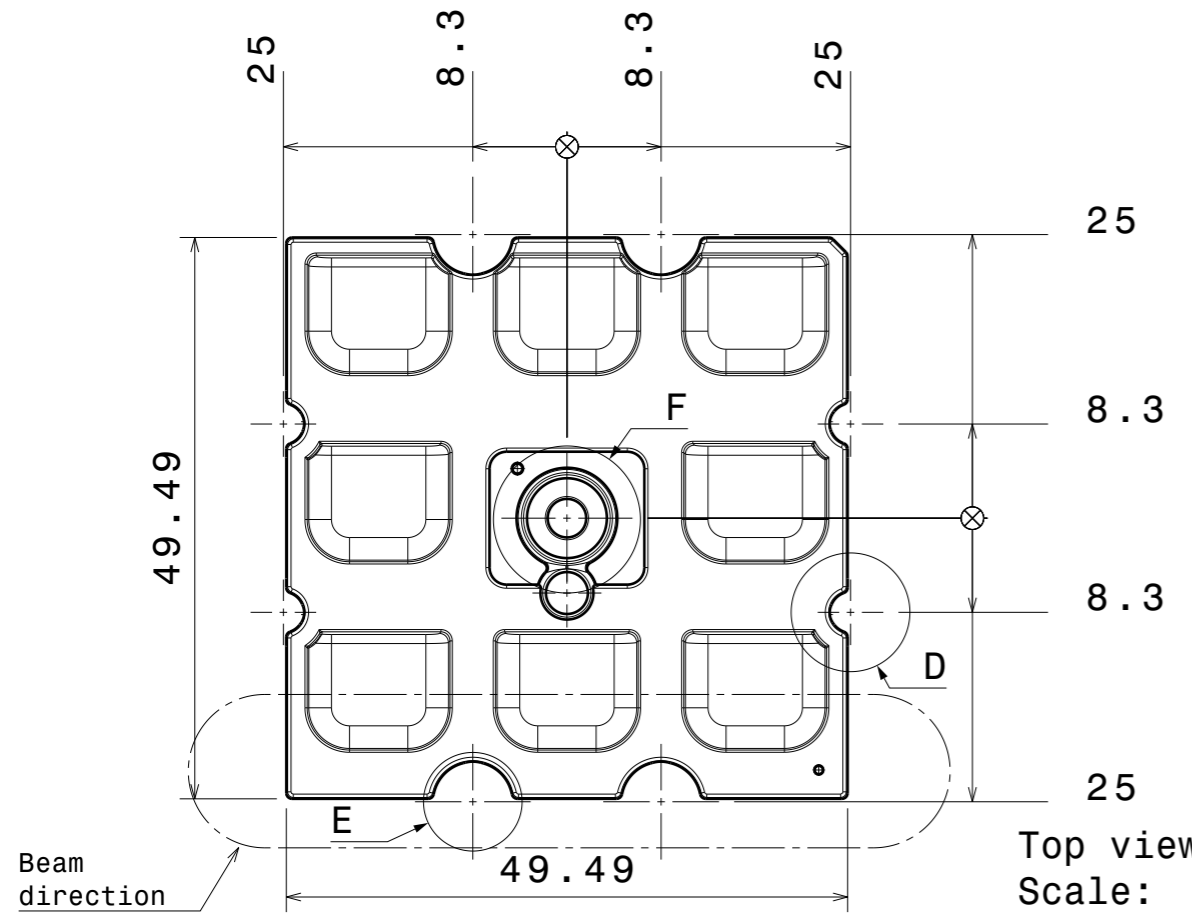
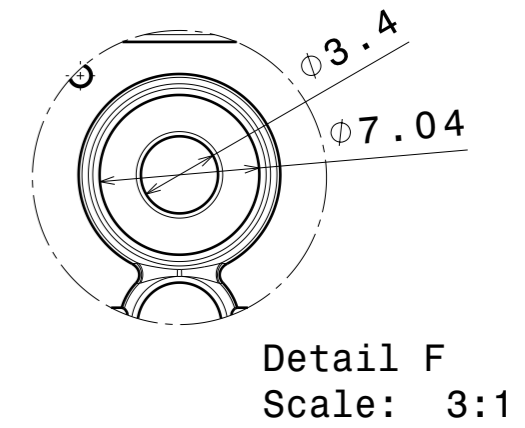
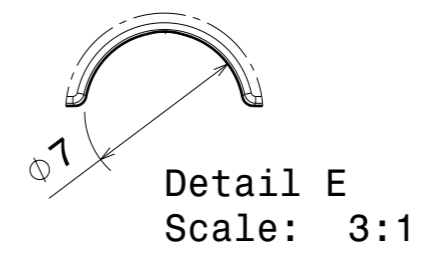
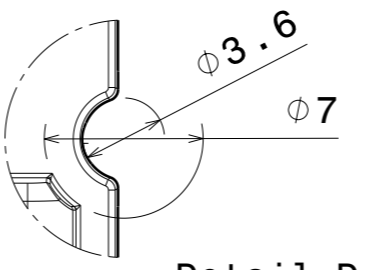
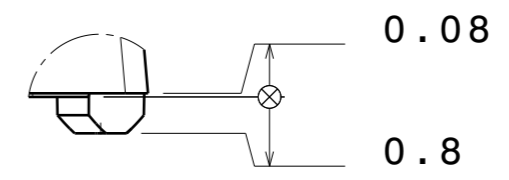
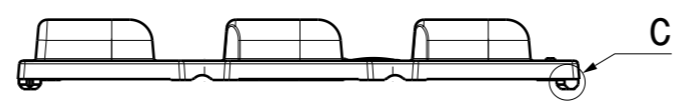
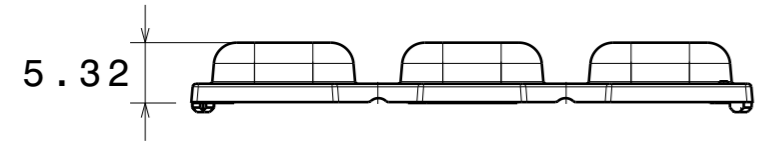
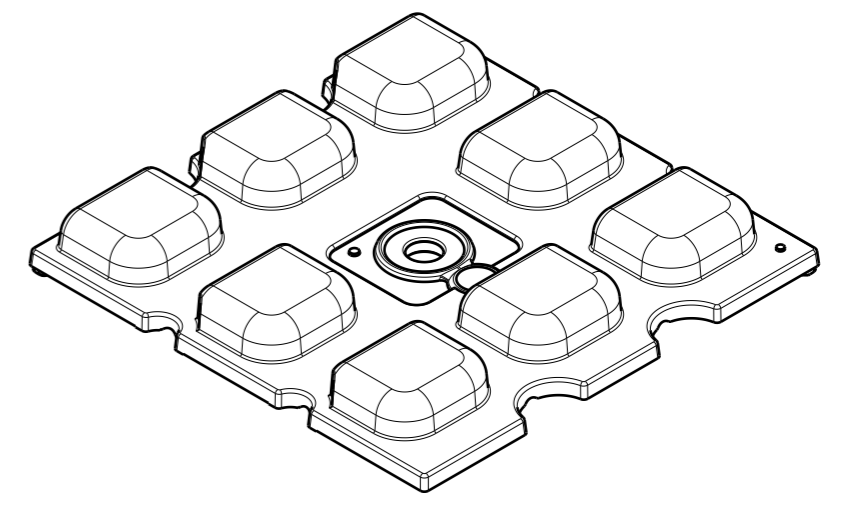


Detail B
Scale: 3:1



Detail A
Scale: 3:1



Tolerances if not otherwise shown
According to DIN ISO 2768-1
Linear measures:
Up to 30mm class M, otherwise class C.
According to DIN ISO 2768-2
Form and position: class L

THIRD ANGLE PROJECTION:

This drawing is the property of LEDiL Oy. It may not be reproduced, copied or communicated without a written agreement with LEDiL Oy.

LEDiL		Ledil Oy Salorankatu 10 FIN 24240 SALO Finland	
DRAWING TITLE STRADELLA-8-HV-T1-A mechanical drawing			
SIZE	PART NUMBER		
A3	C16051		
SCALE	3:2	WEIGHT	6,7 g
SHEET		1/1	