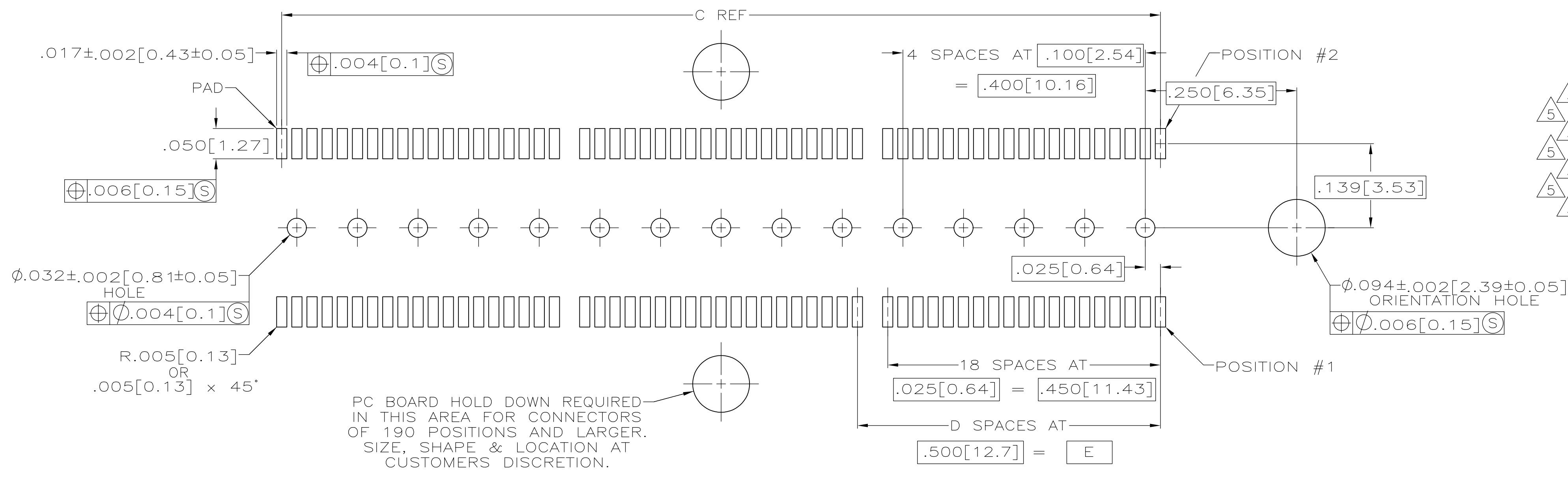
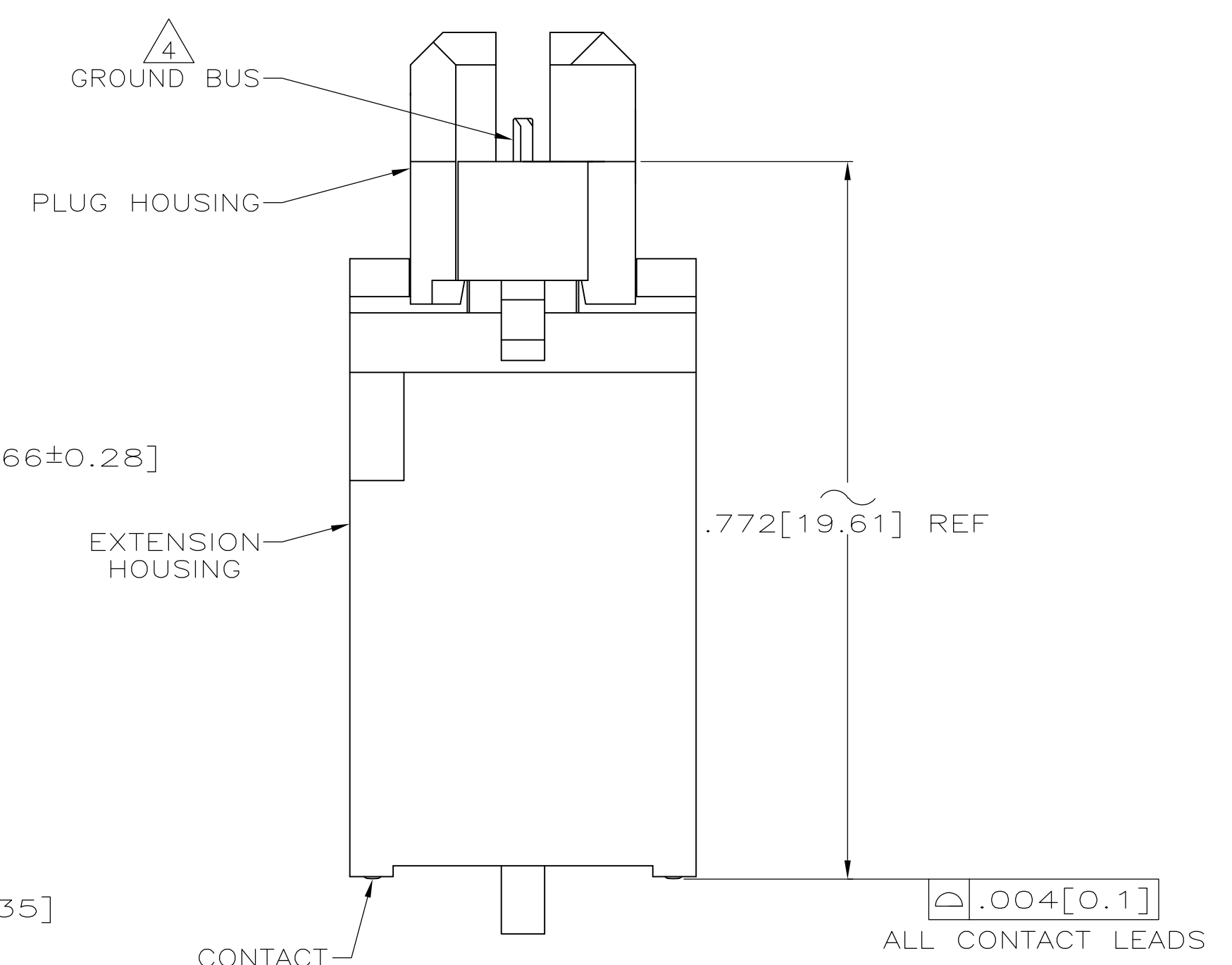
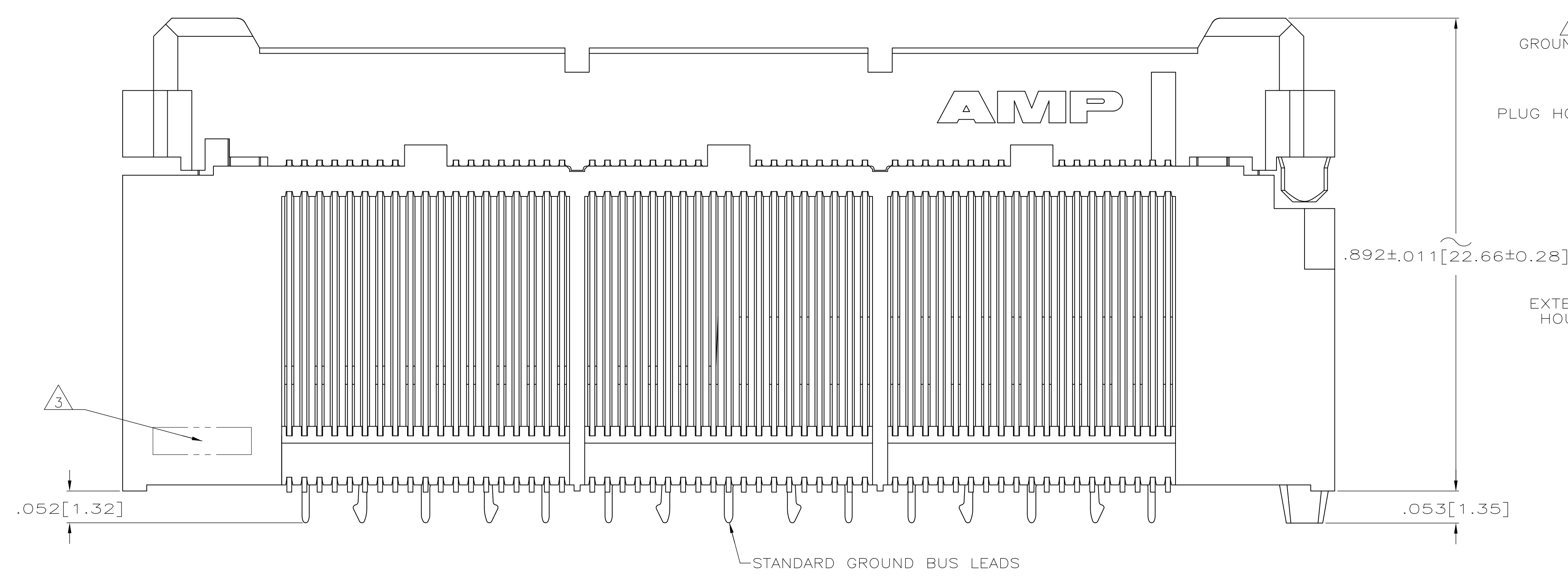


- 1 HOUSINGS: LIQUID CRYSTAL POLYMER, COLOR BLACK.
CONTACTS: HIGH RELIABILITY COPPER ALLOY.
GROUND BUSES: BRASS, UNS C26000
- 2 CONTACTS & GROUND BUSES: NICKEL UNDERPLATE ALL OVER,
MATING SURFACE PLATED TO MEET LEVEL 1 PERFORMANCE
REQUIREMENTS OF TE CONNECTIVITY PRODUCT SPECIFICATION
108-1422, SOLDER TAILS PLATED MATTE TIN.
- 3 DATE CODE MARKED IN AREA INDICATED ON SAME SIDE AS
POSITION #1.
- 4 ONE GROUND BUS WITH 5 TAILS PER EACH MODULE.
- 5 THIS ASSEMBLY HAS A VACUUM PICK-UP COVER PLACED ON
CENTER OF HOUSING AND IS PACKAGED IN EXTRUDED TUBES.



PC BOARD HOLD DOWN REQUIRED IN THIS AREA FOR CONNECTORS OF 190 POSITIONS AND LARGER. SIZE, SHAPE & LOCATION AT CUSTOMERS DISCRETION.

RECOMMENDED PC BOARD LAYOUT (VIEWED FROM CONNECTOR SIDE)

5	3.000[76.2]	6	3.450[87.63]	3.898[99]	4.000[101.6]	266	1-5767017-7
5	2.500[63.5]	5	2.950[74.93]	3.398[86.31]	3.500[88.9]	228	1-5767017-6
5	2.000[50.8]	4	2.150[54.61]	2.898[73.61]	3.000[76.2]	190	1-5767017-5
5	1.500[38.1]	3	1.950[49.53]	2.398[60.91]	2.500[63.5]	152	1-5767017-4
5	1.000[25.4]	2	1.450[36.83]	1.898[48.21]	2.000[50.8]	114	1-5767017-3
5	.500[12.7]	1	.950[24.13]	1.398[35.51]	1.500[38.1]	76	1-5767017-2
5	.000[0]	0	.450[11.43]	.898[22.81]	1.000[25.4]	38	1-5767017-1
	3.000[76.2]	6	3.450[87.63]	3.898[99]	4.000[101.6]	266	5767017-7
	2.500[63.5]	5	2.950[74.93]	3.398[86.31]	3.500[88.9]	228	5767017-6
	2.000[50.8]	4	2.150[54.61]	2.898[73.61]	3.000[76.2]	190	5767017-5
	1.500[38.1]	3	1.950[49.53]	2.398[60.91]	2.500[63.5]	152	5767017-4
	1.000[25.4]	2	1.450[36.83]	1.898[48.21]	2.000[50.8]	114	5767017-3
	.500[12.7]	1	.950[24.13]	1.398[35.51]	1.500[38.1]	76	5767017-2
	.000[0]	0	.450[11.43]	.898[22.81]	1.000[25.4]	38	5767017-1
	E	D	C	B	A	NO OF POS	PART NUMBER

THIS DRAWING IS A CONTROLLED DOCUMENT.

DIMENSIONS: INCHES	TOLERANCES UNLESS OTHERWISE SPECIFIED:	APPROVED: D. DIXON	DATE: 01 OCT 04
0 PLC ± -	1 PLC ± -	2 PLC ± -	3 PLC ± .005(0.13)
4 PLC ± -	ANGLES ± -	DRAWING NO: 114-11004	
MATERIAL	FINISH	WEIGHT	SCALE: 8:1

STE TE Connectivity
PLUG ASSEMBLY, .900[22.86] VERTICAL, .025[0.64] CENTER LINE, MICTOR
108-1422
A1 00779 5767017
CUSTOMER DRAWING SHEET 1 OF 1 REV B3