

1 TABLE 1

| | | | | |
|-----|------|----|----|--------------------|
| 9.2 | 40.7 | 38 | 42 | 40 |
| 9.2 | 38.7 | 36 | 40 | 38 |
| 9.2 | 36.7 | 34 | 38 | 36 |
| 9.2 | 34.7 | 32 | 36 | 34 |
| 9.2 | 32.7 | 30 | 34 | 32 |
| 9.2 | 30.7 | 28 | 32 | 30 |
| 9.2 | 28.7 | 26 | 30 | 28 |
| 9.2 | 26.7 | 24 | 28 | 26 |
| 9.2 | 24.7 | 22 | 26 | 24 |
| 9.2 | 22.7 | 20 | 24 | 22 |
| 9.2 | 20.7 | 18 | 22 | 20 |
| 9.2 | 18.7 | 16 | 20 | 18 |
| 9.2 | 16.7 | 14 | 18 | 16 |
| 9.2 | 14.7 | 12 | 16 | 14 |
| 9.2 | 12.7 | 10 | 14 | 12 |
| 7.3 | 10.7 | 8 | 12 | 10 |
| D | C | B | A | 極数 CIRCUIT SIZE |

| 番号 No. | 部品 PART | 材質 MATERIAL | |
|--------|-------------------|---|---|
| ① | ターミナル TERMINAL | 母材 BASE MATERIAL | 黄銅, BRASS |
| | | 下地めっき UNDER PLATING | ニッケルめっき 1.0 MICRO-METER MIN NICKEL PLATING 1.0 MICRO-METER MIN |
| | | コンタクト CONTACT | 金めっき 0.1 MICRO-METER MIN GOLD PLATING 0.1 MICRO-METER MIN |
| | | テール SOLDER TAIL | |
| ② | ハウジング HOUSING | ポリアミド(PA)ガラス入り, UL94V-0, 色: SEE CHART POLYAMIDE(PA) GLASS FILLED, UL94V-0, COLOR : SEE CHART | |

THIS DRAWING CONTAINS INFORMATION THAT IS PROPRIETARY TO MOLEX ELECTRONIC TECHNOLOGIES, LLC AND SHOULD NOT BE USED WITHOUT WRITTEN PERMISSION

| | | | |
|--|---------|-------------------|------------|
| DIMENSION UNITS | SCALE | CURRENT REV DESC: | |
| mm | NTS | | |
| GENERAL TOLERANCES (UNLESS SPECIFIED) | | | |
| ANGULAR TOL | ± 3.0 ° | | |
| 4 PLACES | ± 0.2 | EC NO: 732484 | |
| 3 PLACES | ± 0.2 | DRWN: SNAKAMURA08 | 2022/12/15 |
| 2 PLACES | ± 0.2 | CHK'D: KOMURAKAMI | 2023/03/03 |
| 1 PLACE | ± 0.2 | APPR: SAKIYAMA | 2023/03/03 |
| 0 PLACES | ± 0.2 | INITIAL REVISION: | |
| DRAFT WHERE APPLICABLE MUST REMAIN WITHIN DIMENSIONS | | DRWN: SNAKAMURA08 | 2018/03/15 |
| THIRD ANGLE PROJECTION | | APPR: TKANEKO | 2018/03/30 |
| DRAWING | SERIES | MATERIAL NUMBER | CUSTOMER |
| A3-SIZE | 503091 | 5030910000-SD | GENERAL |
| DOCUMENT NUMBER | | DOC TYPE | DOC PART |
| 5030910000-SD | | PSD | 000 |
| SHEET NUMBER | | 1 OF 3 | |

NOTES.

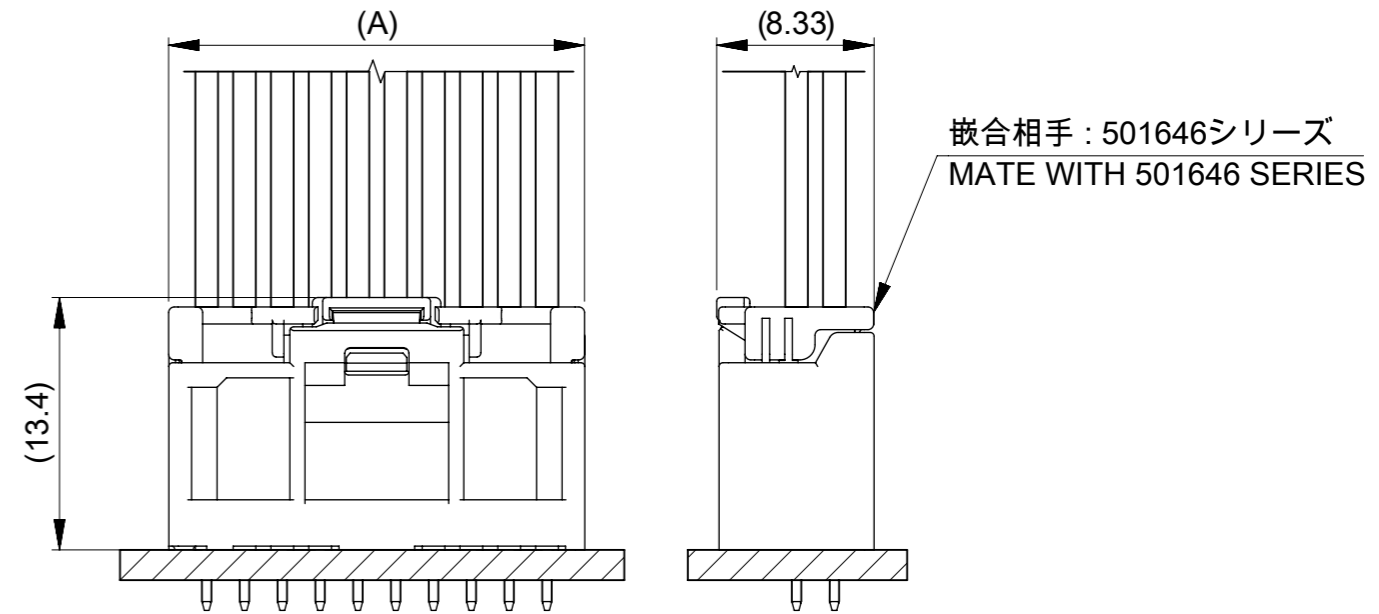
- 1. 材料及び仕上げ(めっき仕様) : TABLE 1 参照
MATERIAL AND FINISHES : SEE TABLE 1
- 2. 製品仕様書 : 5016460000-PS 000 / 5016461000-PS 000
PRODUCT SPECIFICATION:5016460000-PS 000 / 5016461000-PS 000
- 3. 嵌合相手:
MATES WITH:

| | | |
|-----------------------------------|--|-------------|
| リセプタクルハウジング RECEPTACLE HOUSING | 501646 SERIES | |
| 圧着端子 RECEPTACLE CRIMP TERMINAL | AWG #22-24 金めっき AWG #22-24 GOLD PLATING | 503095 2201 |
| | AWG #26-28 金めっき AWG #26-28 GOLD PLATING | 503095 2200 |

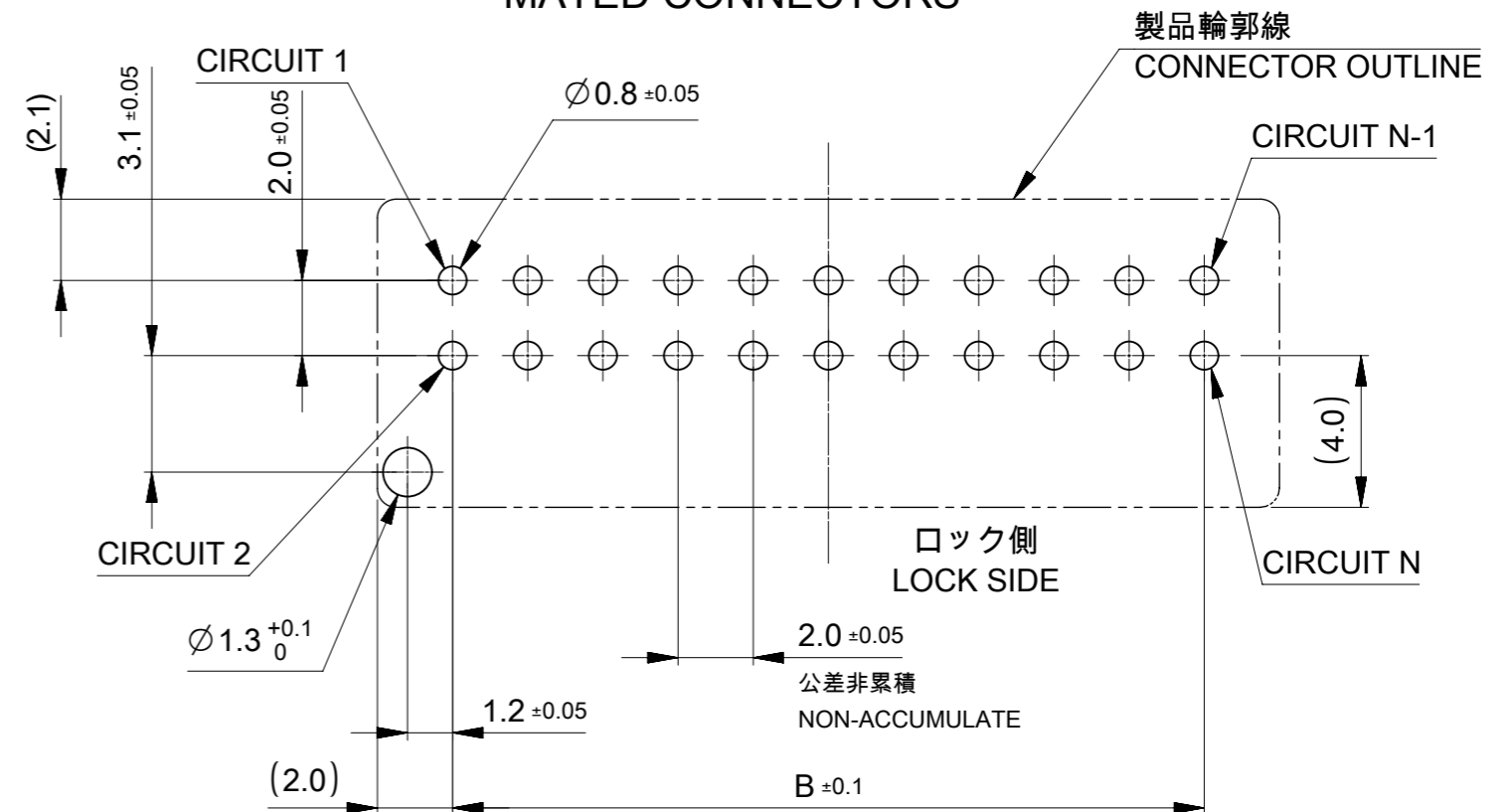
- 4. アプリケーション仕様書(コネクタ取扱い説明書) : 5016460000 PS A01
APPLICATION SPECIFICATION(CONNECTOR MANNUAL): 5016460000 PS A01
- 5. 本製品は金めっき品です。
THIS PRODUCT IS A GOLD PLATING.
- 6. 極数/2 = 偶数に適応
APPLY FOR CIRCUIT SIZE / 2 =EVEN
- 7. 梱包仕様書: 5030919200-SPK 200
PACKING INFORMATION : 5030919200-SPK 200
- 8. 発注番号 : SHEET 3 参照
ORDER No. : PLEASE REFER TO SHEET 3 FOR PRODUCT LIST

503091 ** 2 *

| | |
|--------------------|------------------------------|
| 極数 CIRCUIT SIZE | ハウジングカラー HOUSING COLOR |
| | 0:ナチュラル NATURAL (白 WHITE) |
| | 1:黒 BLACK |



嵌合状態図
MATED CONNECTORS



基板取付穴推奨寸法(マウント面)

POLARIZED RECOMMENDED PCB LAYOUT HOLE DIMENSION (MOUNTING SIDE)

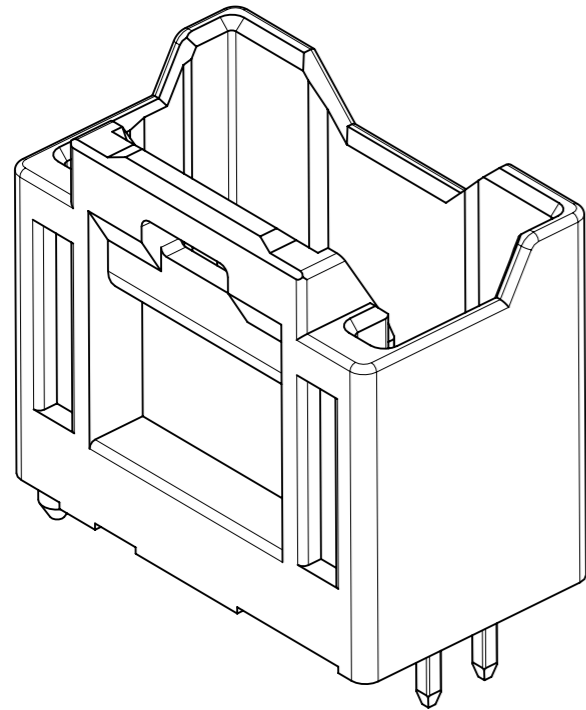
参考基板厚 t=1.2~1.6

REFERENCE PCB THICKNESS t=1.2~1.6

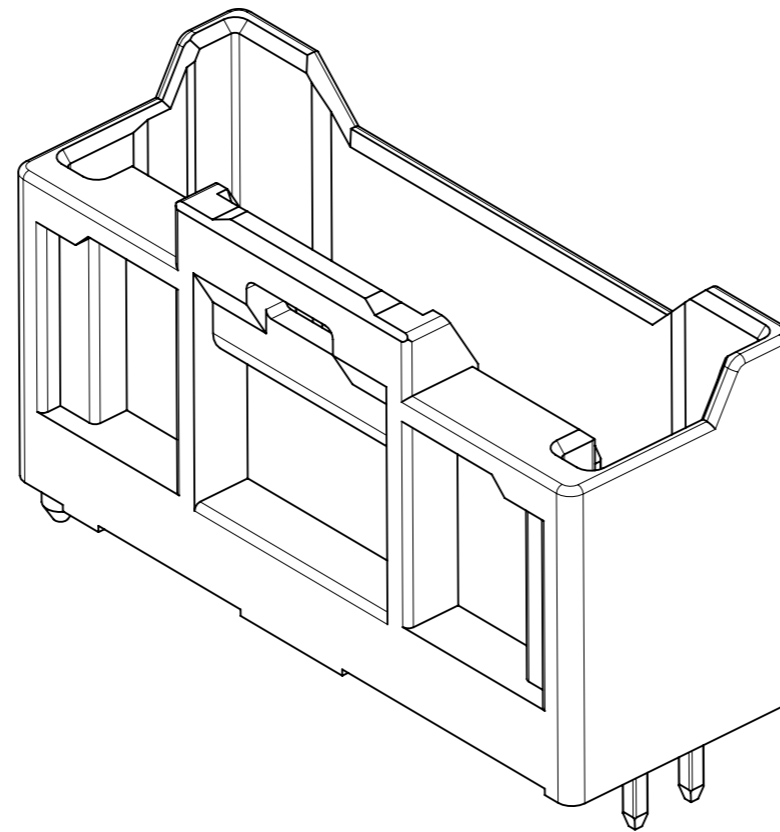
| | | | | | |
|---|---------|-------------------|-----------------|--|----------|
| THIS DRAWING CONTAINS INFORMATION THAT IS PROPRIETARY TO MOLEX ELECTRONIC TECHNOLOGIES, LLC AND SHOULD NOT BE USED WITHOUT WRITTEN PERMISSION | | CURRENT REV DESC: | | molex | |
| DIMENSION UNITS | SCALE | | | | |
| mm | NTS | | | IGRID 2.0 PLUG ASSEMBLY VERTICAL GOLD PLATING | |
| GENERAL TOLERANCES (UNLESS SPECIFIED) | | | | PRODUCT CUSTOMER DRAWING | |
| ANGULAR TOL | ± 3.0 ° | | | DOCUMENT NUMBER | |
| 4 PLACES | ± 0.2 | EC NO: 732484 | 2022/12/15 | 5030910000-SD | |
| 3 PLACES | ± 0.2 | DRWN: SNAKAMURA08 | 2023/03/03 | DOC TYPE | DOC PART |
| 2 PLACES | ± 0.2 | CHK'D: KOMURAKAMI | 2023/03/03 | PSD | 000 |
| 1 PLACE | ± 0.2 | APPR: SAKIYAMA | 2023/03/03 | REVISION | D |
| 0 PLACES | ± 0.2 | INITIAL REVISION: | | SHEET NUMBER | |
| DRAFT WHERE APPLICABLE MUST REMAIN WITHIN DIMENSIONS | | DRWN: SNAKAMURA08 | 2018/03/15 | 2 OF 3 | |
| THIRD ANGLE PROJECTION | | APPR: TKANEKO | 2018/03/30 | | |
| DRAWING | | SERIES | MATERIAL NUMBER | CUSTOMER | |
| A3-SIZE | | 503091 | SEE SHEET3 | GENERAL | |

各極数毎の製品形状

PRODUCT SHAPE AT EACH CIRCUIT



10 ~ 12極形状
VIEW OF 10~12 CIRCUIT



14 ~ 40極形状
VIEW OF 14~40 CIRCUIT

△ 製品一覧 PRODUCT LIST

| 黒 : BLACK | ナチュラル : NATURAL (白 : WHITE) | 色 COLOR |
|------------------------|--------------------------------|--------------|
| 503091 4021 | 503091 4020 | 40 |
| ▲ 3821 | ▲ 3820 | 38 |
| 3621 | 3620 | 36 |
| 3421 | 3420 | 34 |
| 3221 | 3220 | 32 |
| 3021 | 3020 | 30 |
| 2821 | 2820 | 28 |
| 2621 | 2620 | 26 |
| 2421 | 2420 | 24 |
| 2221 | 2220 | 22 |
| 2021 | 2020 | 20 |
| 1821 | 1820 | 18 |
| 1621 | 1620 | 16 |
| 1421 | 1420 | 14 |
| ▼ 1221 | ▼ 1220 | 12 |
| 503091 1021 | 503091 1020 | 10 |
| 発注番号 ORDER No. | | 極数 |
| PACKAGING STYLE : TRAY | | CIRCUIT SIZE |

| | | | | | | | | | |
|---|---------|--|------------|--------|-----------------|----------|----------|--------------|----------|
| THIS DRAWING CONTAINS INFORMATION THAT IS PROPRIETARY TO MOLEX ELECTRONIC TECHNOLOGIES, LLC AND SHOULD NOT BE USED WITHOUT WRITTEN PERMISSION | | | | | | | | | |
| DIMENSION UNITS | SCALE | CURRENT REV DESC: | | | | | | | |
| mm | NTS | <div style="text-align: center;">molex</div> IGRID 2.0 PLUG ASSEMBLY VERTICAL GOLD PLATING PRODUCT CUSTOMER DRAWING | | | | | | | |
| GENERAL TOLERANCES (UNLESS SPECIFIED) | | | | | | | | | |
| ANGULAR TOL | ± 3.0 ° | | | | | | | | |
| 4 PLACES | ± 0.2 | | | | | | | | |
| 3 PLACES | ± 0.2 | | | | | | | | |
| 2 PLACES | ± 0.2 | | | | | | | | |
| 1 PLACE | ± 0.2 | EC NO: 732484 | 2022/12/15 | | DOCUMENT NUMBER | | | | |
| 0 PLACES | ± 0.2 | DRWN: SNAKAMURA08 | 2023/03/03 | | 5030910000-SD | | DOC TYPE | DOC PART | REVISION |
| DRAFT WHERE APPLICABLE MUST REMAIN WITHIN DIMENSIONS | | THIRD ANGLE PROJECTION | DRAWING | SERIES | MATERIAL NUMBER | CUSTOMER | | SHEET NUMBER | |
| | | | A3-SIZE | 503091 | SEE CHART | GENERAL | | 3 OF 3 | |