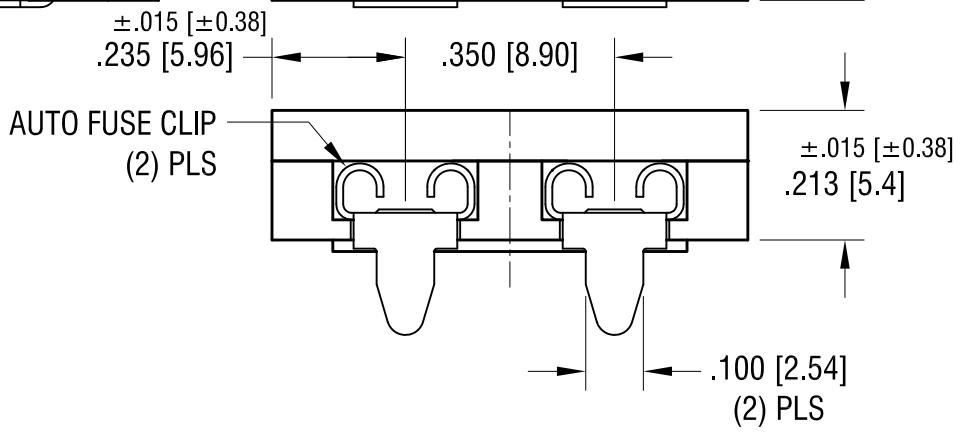
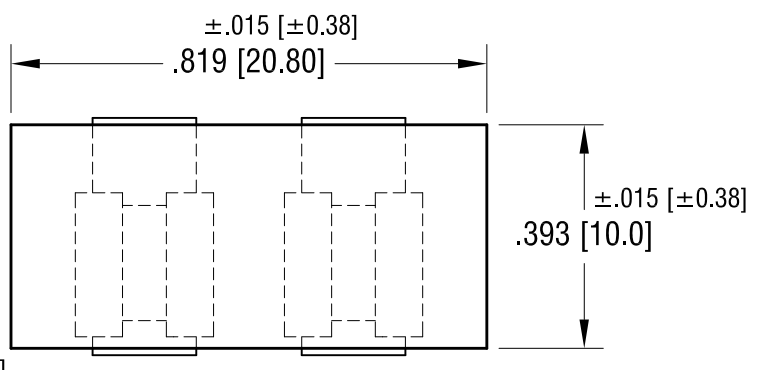
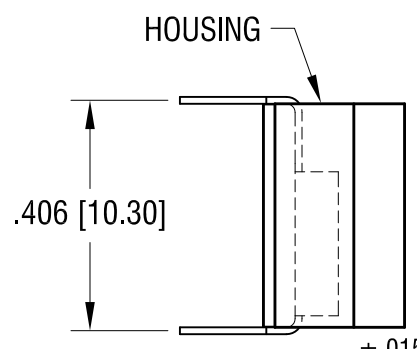
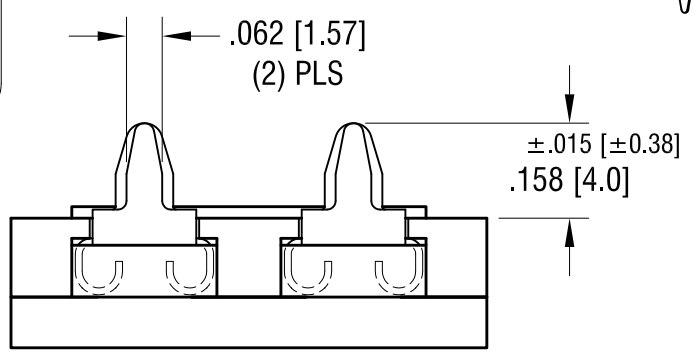
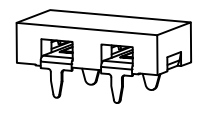
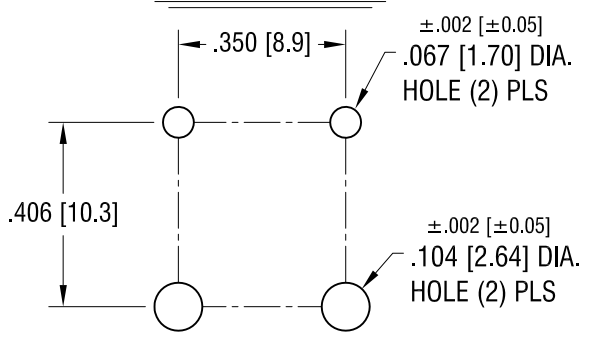


THIS DOCUMENT IS THE PROPERTY OF KEYSTONE ELECTRONICS CORP. AND SHALL NOT BE REPRODUCED, DISTRIBUTED OR USED AS A BASIS FOR MANUFACTURE WITHOUT PRIOR WRITTEN PERMISSION FROM KEYSTONE ELECTRONICS CORP.

MOUNTING DETAIL



NOTE:
 CLIP: MAT'L: .012 [0.30] TH'K BRASS, TIN PLATE
 HOUSING: MAT'L: NYLON 6/6, UL 94V-0

| | | | |
|--|------|-----------------|------------------|
| KEYSTONE ELECTRONICS CORP. | | | |
| www.keyelco.com • NEW HYDE PARK, NY 11040 • Tel (516) 328-7500 | | | |
| PART NAME HOR.STANDARD AUTO-BLADE FUSE HOLDER | | | |
| MATERIAL AS NOTED | | | |
| FINISH AS NOTED | | DRN BY BOONE | DATE 12.28.06 |
| | | APP'D LN | SCALE 3X |
| TOLERANCES INCH [MM] | CODE | DWG NO. | |
| DECIMAL ±.005 [±0.13] | C | 3550-2 | |
| ANGULAR ± 1° | | | |
| UNLESS OTHERWISE SPECIFIED | | | |

| | | |
|---------|--------------------------|------|
| 6.22.11 | CHANGE AS PER ECN 11-086 | B |
| 9.24.08 | CHANGE AS PER ECN 08-164 | A |
| DATE | DESCRIPTION | REV. |