

4

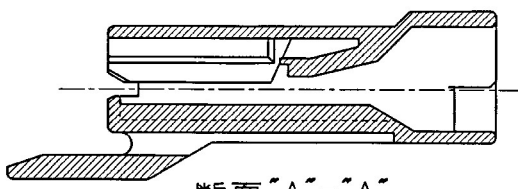
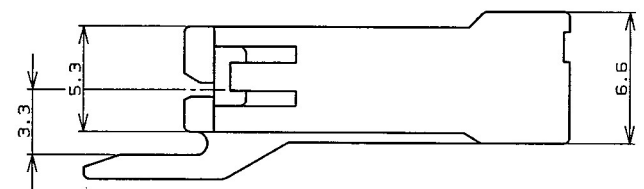
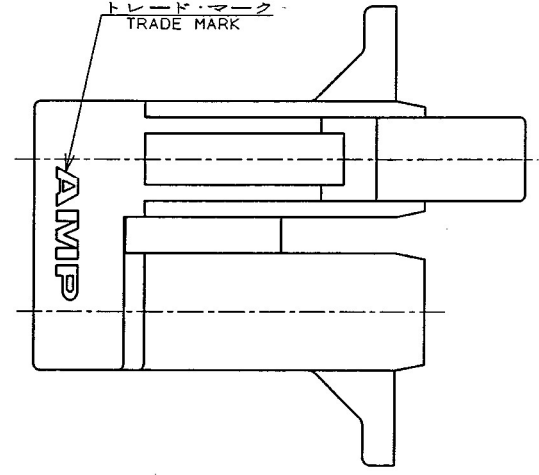
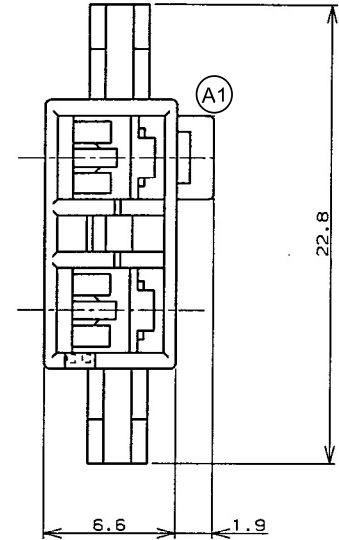
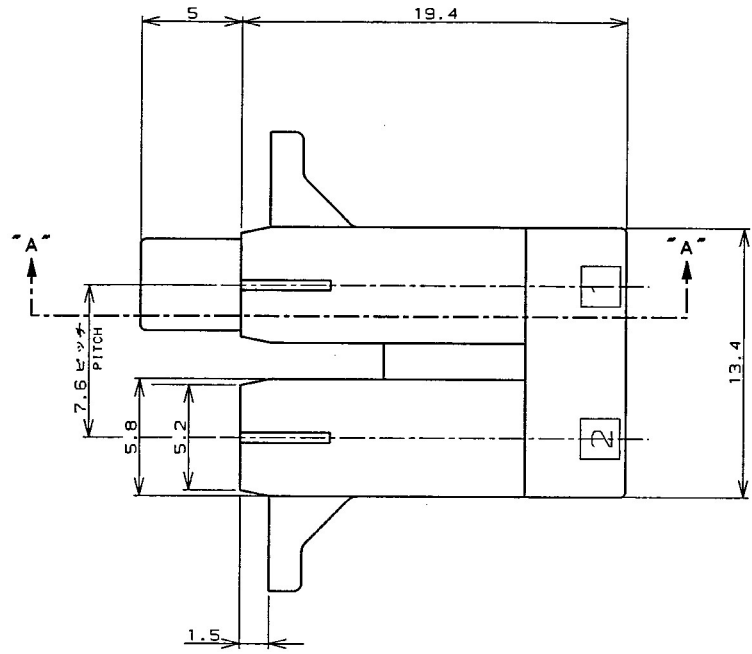
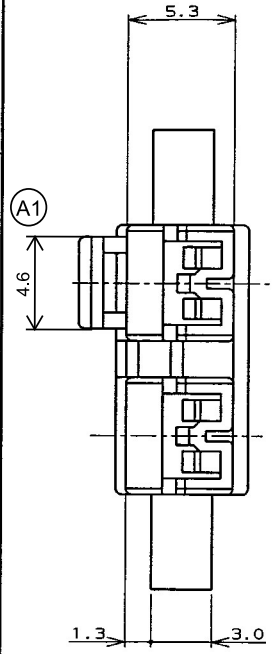
3

2

1

THIS DRAWING IS UNPUBLISHED. RELEASED FOR PUBLICATION .19  
© COPYRIGHT 19 BY AMP INCORPORATED. ALL RIGHTS RESERVED.

REVISONS								
LOC	QTY	P	LTR	DESCRIPTION	ECN	DATE	DWN	APVD
J			A2	REVISED	ECR-18-015331	29.09.2018	K.Y	T.D
			A1	REVISED	ECR-18-002152	15.03.2018	M.G	T.D



断面 "A" - "A" SECT.

THIS DRAWING IS A CONTROLLED DOCUMENT FOR AMP INCORPORATED. IT IS SUBJECT TO CHANGE AND THE CONTROLLING ENGINEERING ORGANIZATION SHOULD BE CONTACTED FOR THE LATEST REVISION.		DWN	M. SUZUKI	23.AUG.'96
DIMENSIONS: 単位: ㎜		CHK	Y. KASHIWA	23.AUG.'96
TOLERANCES UNLESS OTHERWISE SPECIFIED		APVD	H. TAGUCHI	26.AUG.'96
		PRODUCT SPEC	108-5530	
一般公差 10㎜ : ±0.2 30 : ±0.25 100 : ±0.3 ANGLE : ±0.3°		APPLICATION SPEC	114-5229	
MATERIAL	6/6ナイロン (UL94V-0)	WEIGHT		
6/6 NYLON	FINISH	仕上		

WIRE RANGE 組合電線断面積	INSULATION DIA 被覆外径	<table border="1"> <tr><td>RED</td><td>353253-2</td></tr> <tr><td>自然色 (NATURAL)</td><td>353253-1</td></tr> <tr><td>色調 (COLOR)</td><td>型番 (P/N)</td></tr> </table>		RED	353253-2	自然色 (NATURAL)	353253-1	色調 (COLOR)	型番 (P/N)
RED	353253-2								
自然色 (NATURAL)	353253-1								
色調 (COLOR)	型番 (P/N)								
		日本エー・エム・ピー株式会社 Kawasaki, Japan							
NAME 110 シリーズ ポジティブ ロック EX-III 名称 ダブル ロック タイプ 2極 ハウジング 110 SERIES POSITIVE LOCK EX-III DOUBLE LOCK TYPE 2Pos. HOUSING									
SIZE	CAGE CODE	DRAWING NO							
A3	00779	C-353253							
CUSTOMER DRAWING		SCALE	SHEET OF REV						
		1:4	1 1 A2						