

4

3

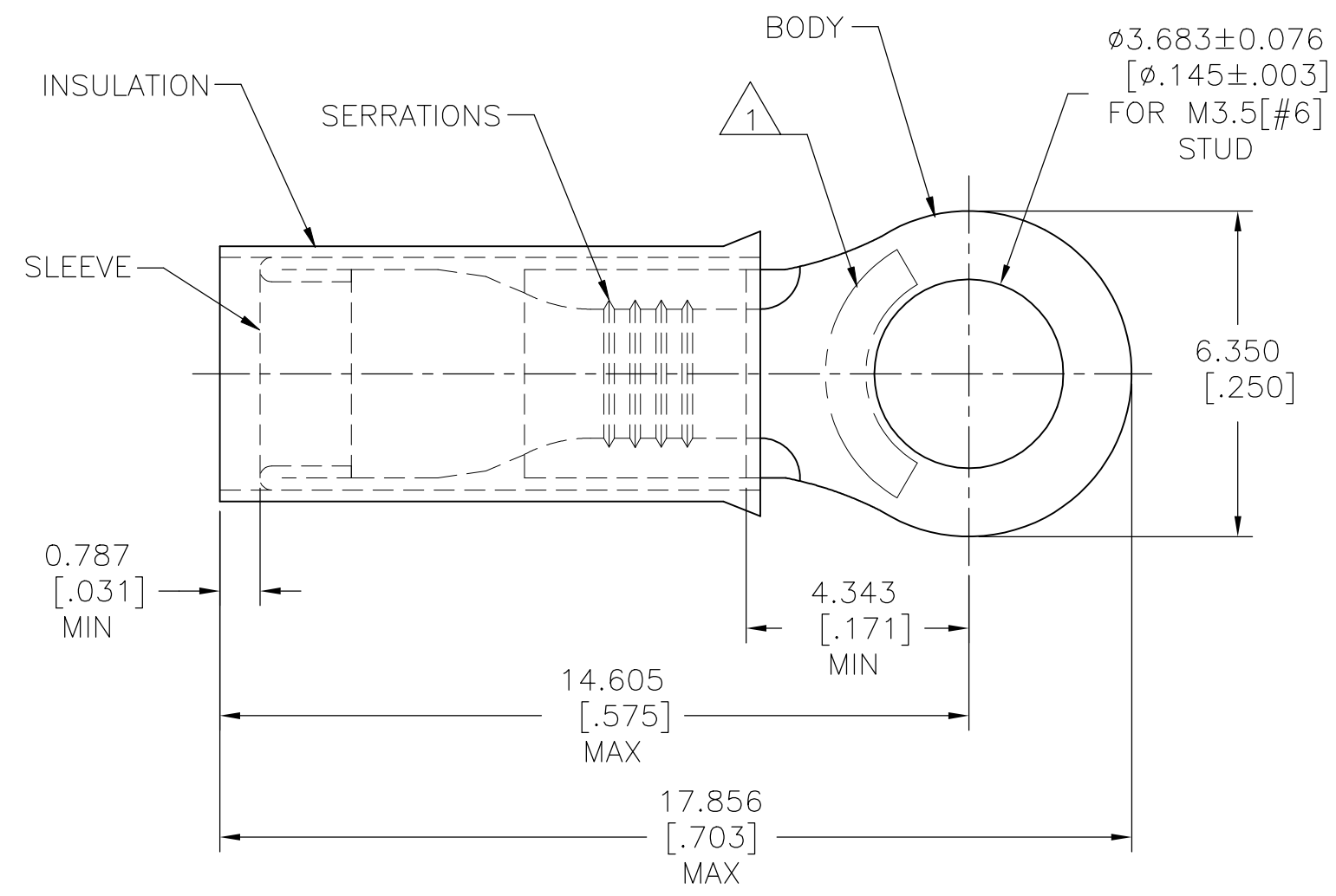
2

1

THIS DRAWING IS UNPUBLISHED. RELEASED FOR PUBLICATION
 © COPYRIGHT - By - ALL RIGHTS RESERVED.

REVISIONS				
P	LTR	DESCRIPTION	DATE	APVD
	H1	REVISED PER ECO-11-004820	11MAR11	RK HMR
	H2	REVISED PER ECO-18-009926	26JUN2018	RS DR

AMP WIRE RANGE	Listed	LR7189 Certified
16-14 AWG SOLID OR STRANDED	16-14 AWG SOLID OR STRANDED	16-14 AWG SOLID OR STRANDED



- 1 STAMP AMP 16-14*, APPROX AS SHOWN. STAMP MAY BE ON TOP OR BOTTOM
- 2 BODY THICKNESS IS 0.787±.051[.031±.002]
- 3 FOR 2.921 - 4.318[.115 - .170] WIRE INSULATION DIA
- 4 MAX RECOMMENDED OPERATING TEMP IS 105°C[221°F]
- 5 300 VOLT MAX RATING
- 6 WIRE CROSS SECTIONAL AREA RANGE 1.04-2.62mm [2,050-5,180 CIR MILS]

100	LOOSE PIECE, BOX	BODY & SLEEVE: COPPER PER ASTM B152 TIN PL. PER ASTM B-545	8-320619-1
5000	ON TAPE, REEL		2-320619-1
1000	LOOSE PIECE	INSULATION: NYLON COLOR: BLUE	320619
QTY	PACKAGING	MATERIAL / FINISH	PART NO

THIS DRAWING IS A CONTROLLED DOCUMENT.		DWN RAVI S 26JUN2018	TE Connectivity Ltd.	
DIMENSIONS: mm [INCHES]		CHK ROHDE DANIEL F 26JUN2018		
TOLERANCES UNLESS OTHERWISE SPECIFIED:		APVD ROHDE DANIEL F 26JUN2018	NAME	
0 PLC ± -		PRODUCT SPEC	WIRE TERMINAL	
1 PLC ± -		APPLICATION SPEC	PIDG, RING TONGUE	
2 PLC ± -		UL486A-B	WIRE SIZE: 16-14 AWG	
3 PLC ± 0.127[.005]		114-2157	SIZE	RESTRICTED TO
4 PLC ± -		WEIGHT	CAGE CODE	-
ANGLES ± 1°		MATERIAL	DRAWING NO	
FINISH		CUSTOMER DRAWING	A3 00779	SCALE 8:1
			C=320619	SHEET 1 of 1
				REV H2