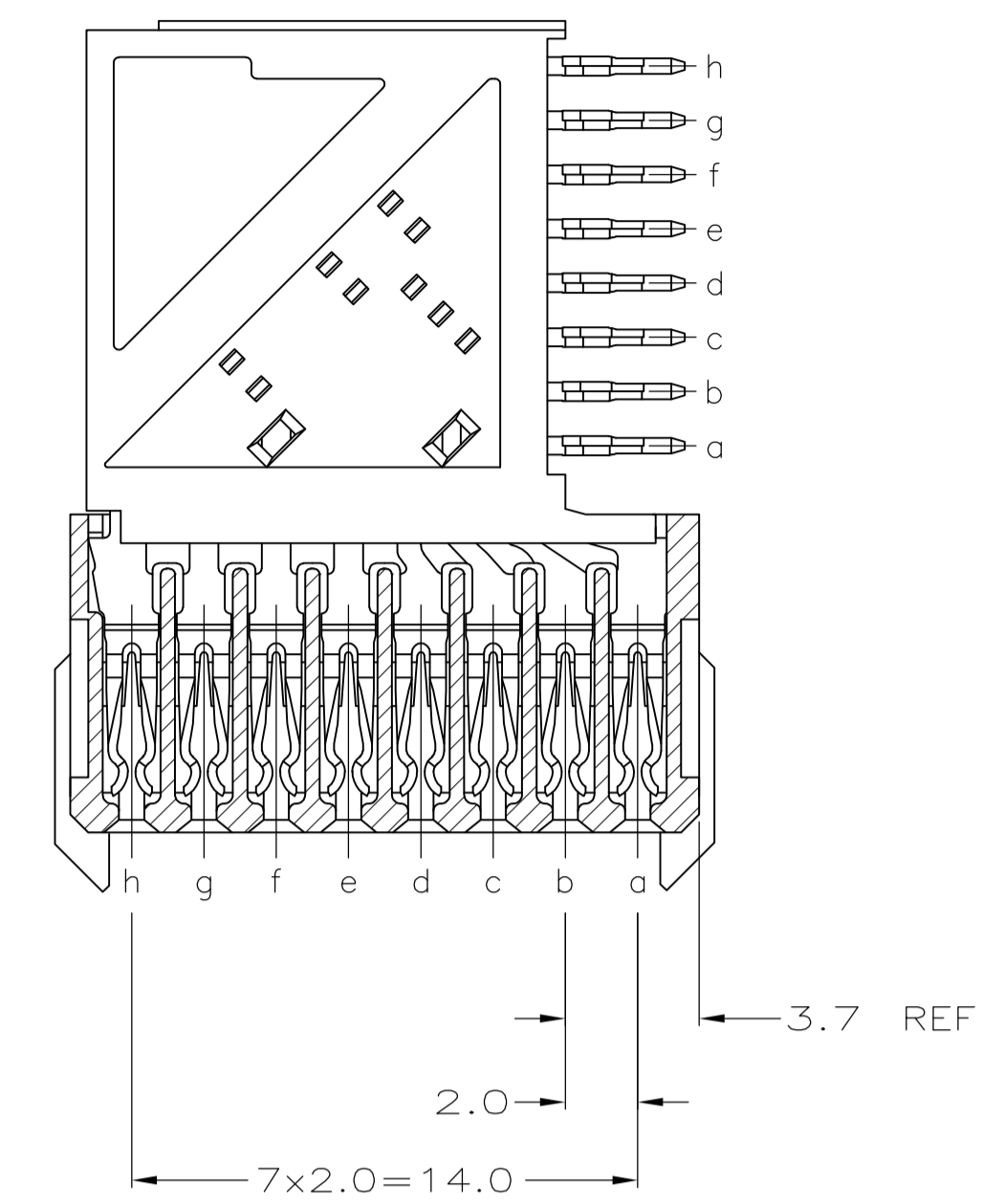
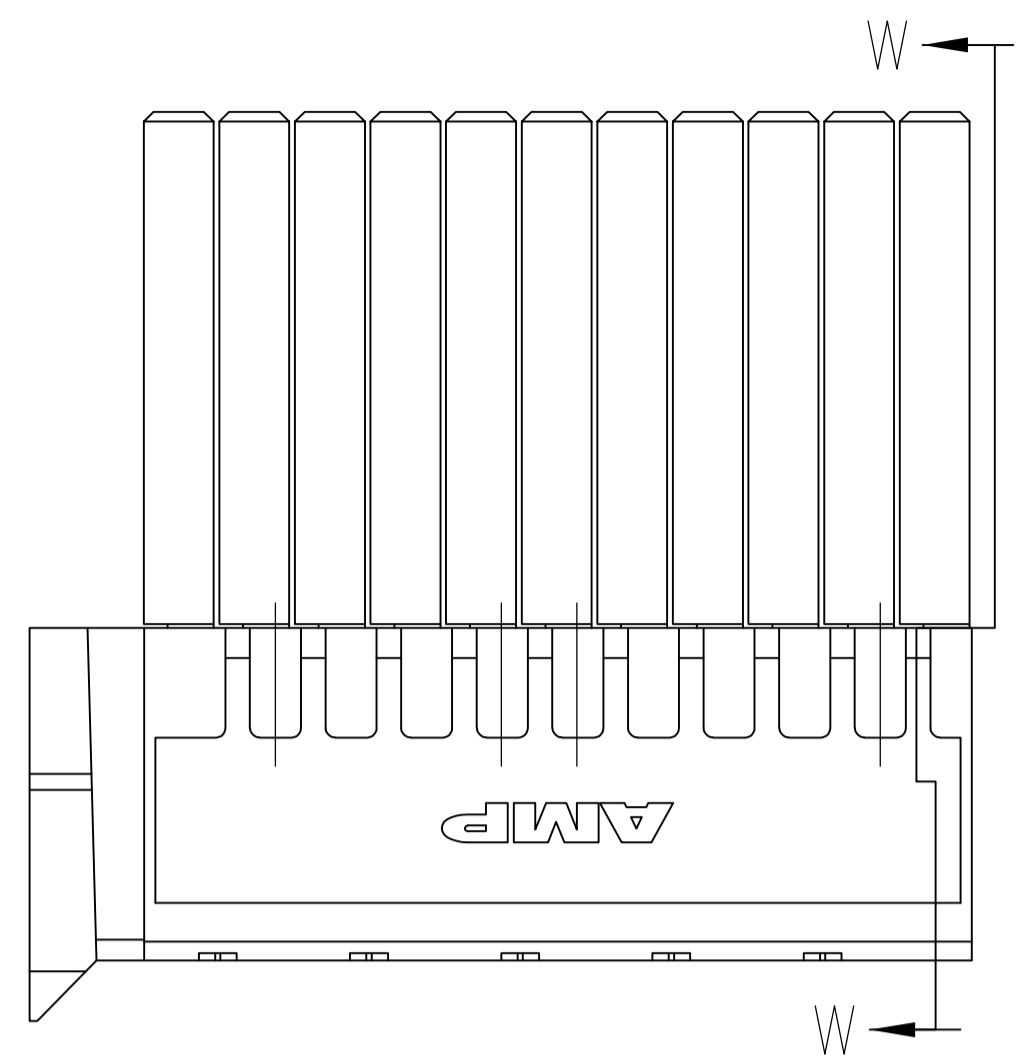
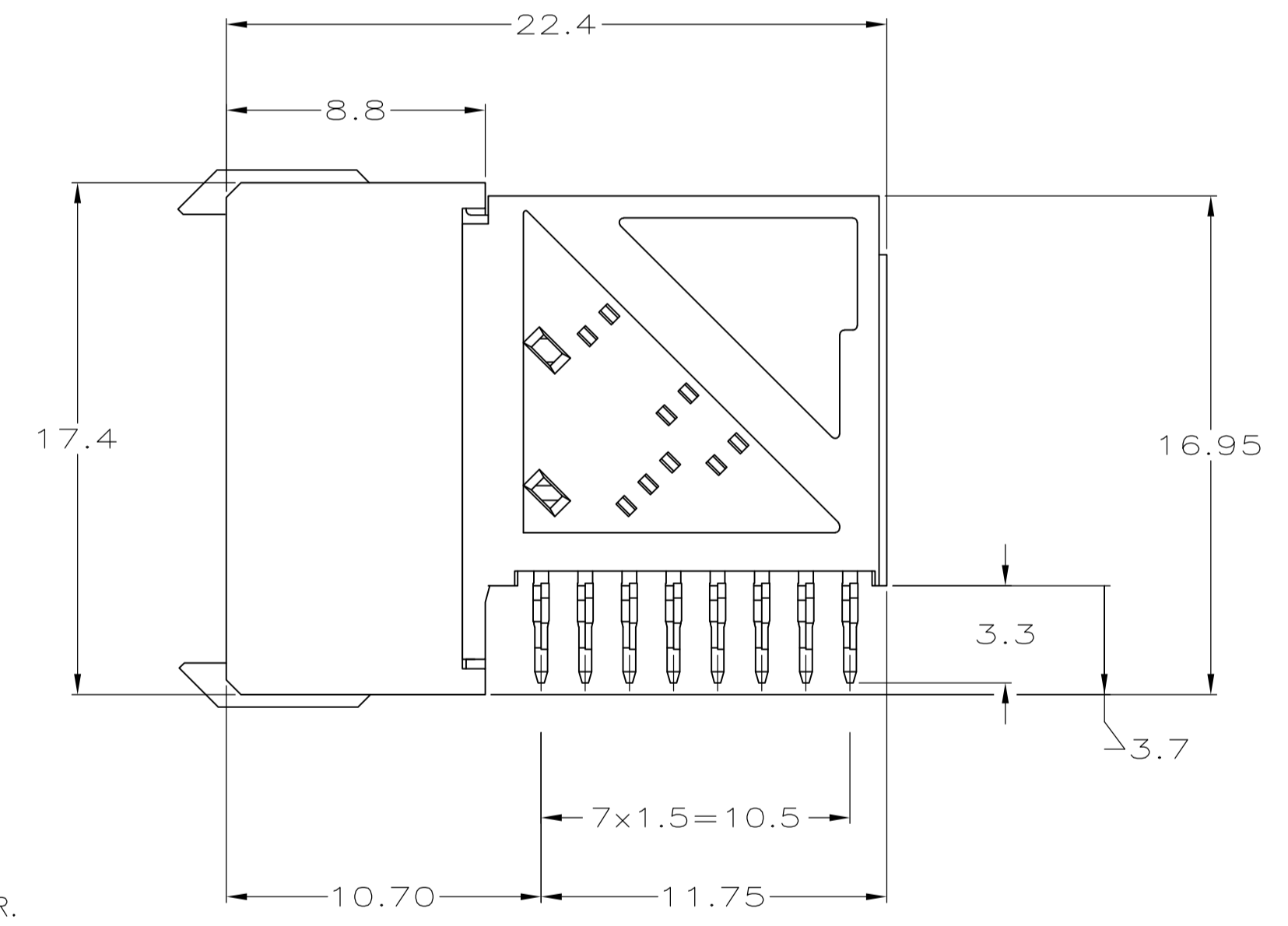
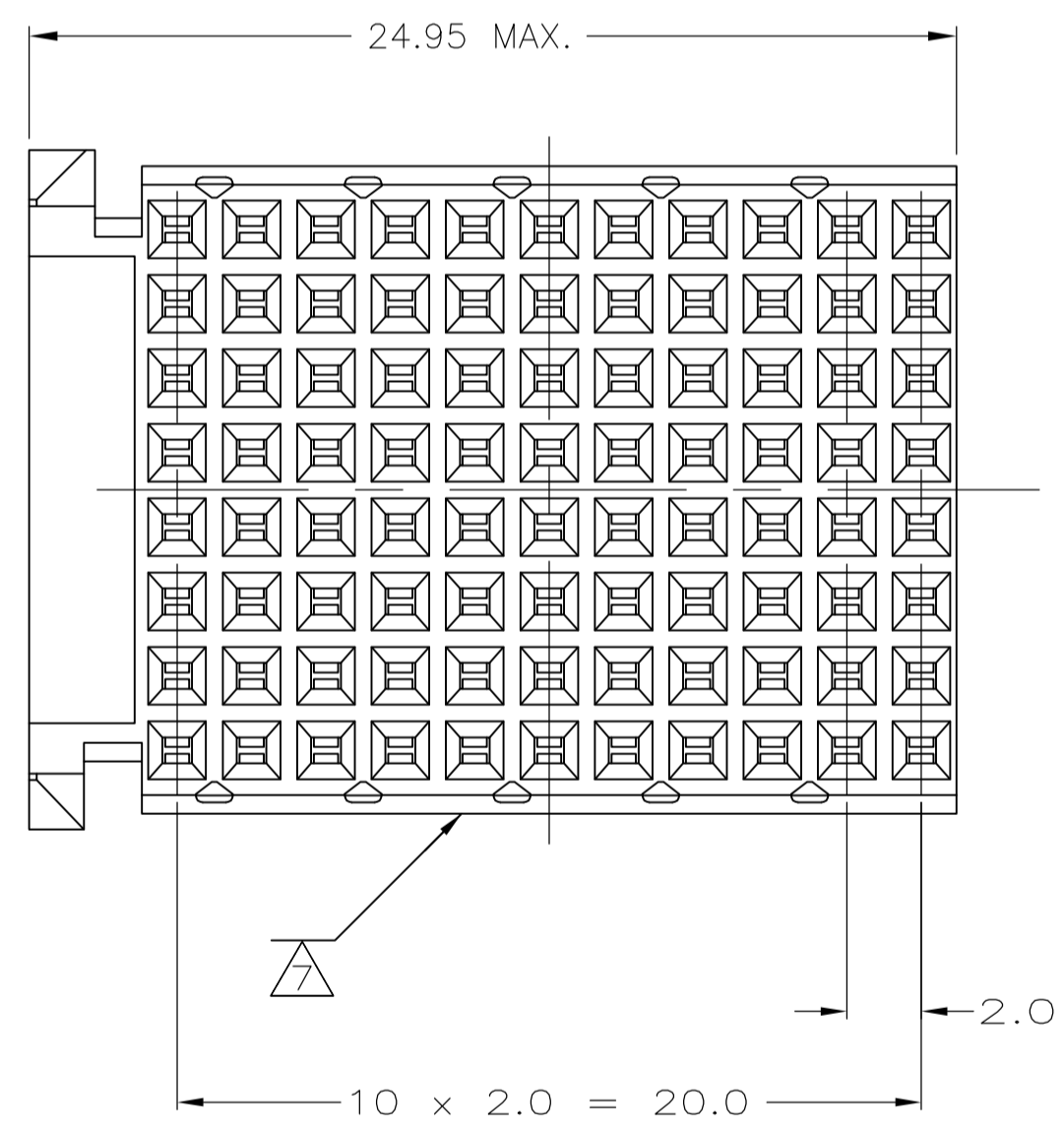


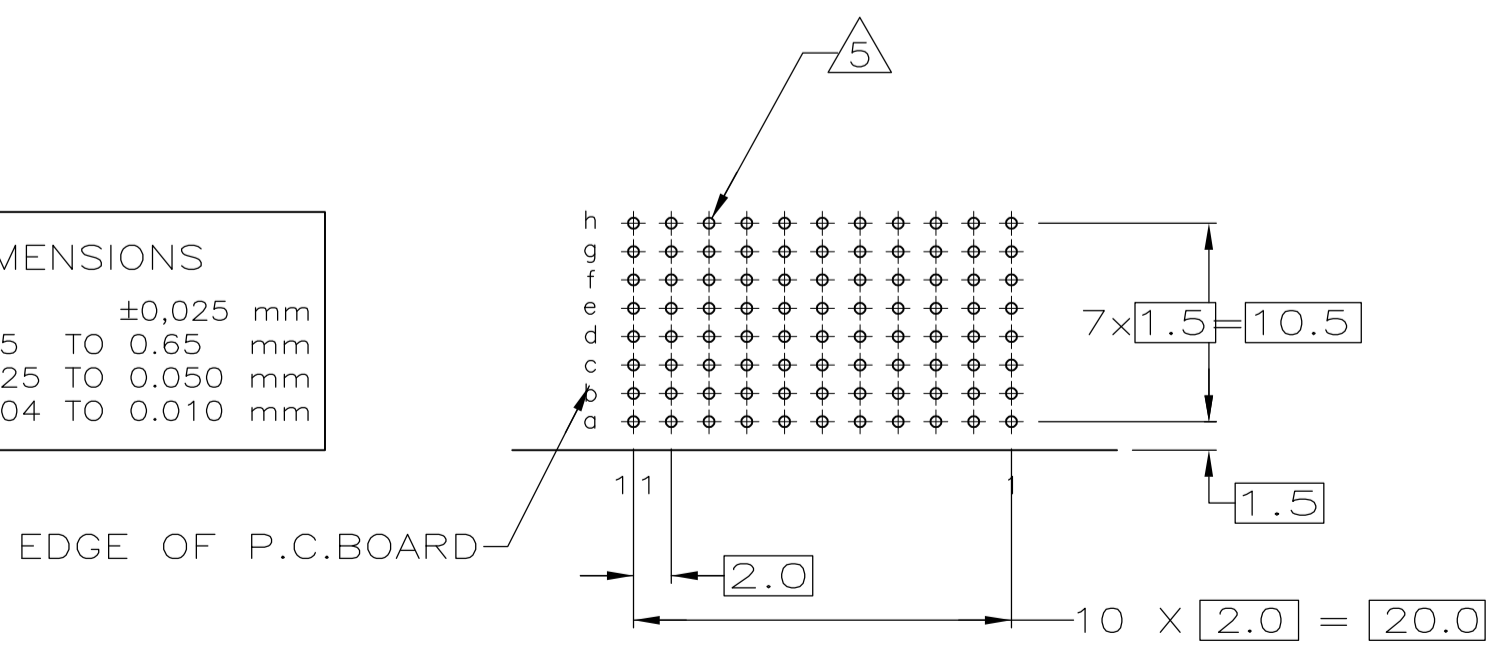
LOC		DIST		REVISIONS				
P	LTR	DESCRIPTION	DATE	DMN	APVD			
E		REVISED PER ECO-14-017537	25NOV2014	SY	FY			



SECTION W-W



PCB HOLE DIMENSIONS		
DRILLED HOLE	0.7	±0,025 mm
FIN. HOLE	0.55 TO 0.65	mm
Cu-thks	0.025 TO 0.050	mm
SnPb-thks	0.004 TO 0.010	mm



RECOMMENDED PCB HOLE LAYOUT COMPONENT SIDE SCALE 2.5:1

- 1 MATERIAL:
CONTACT: PHOSPHOR BRONZE.
HOUSING: GLASS-FILLED POLYESTER.
- 2 GENERAL PLATING SPECIFICATION: UNDERPLATING
(ENTIRE CONTACT): 1.27µm MIN NICKEL AND ACTION
PIN: 0.5µm MIN TIN.
FOR PLATING OF MATING SURFACES SEE APPLICABLE
SPECIFICATION REFERENCE FOR EACH DASH NUMBER.
- 3 CONFORMS TO ALL TESTING ACCORDING TO IEC 61076-4-101
PERFORMANCE LEVEL 2.
- 4 CONNECTOR TESTED AND QUALIFIED AGAINST TELCORDIA GR-1217-CORE QUALITY LEVEL 3,
CENTRAL OFFICE APPLICATIONS.
- 5 PLATED THROUGH HOLES AT 2x1.5mm GRID. 88 TOTAL HOLES.
- 6 CONTACT AREA LUBRICATED WITH BELLCORE APPROVED LUBRICANT.
TECHNICAL REFERENCE: GR-1217-CORE, ISSUE 1, NOVEMBER 1995.
- 7 CONNECTOR PRINTED WITH PART NUMBER AND DATE CODE THIS SIDE.
ADDITIONAL CHARACTERS OR MARKINGS, AS WELL AS THE LOCATION OF THE MARKINGS,
MAY BE ADDED FOR TRACEABILITY BASED UPON MANUFACTURERS DISCRETION.
- 8 OBSOLETE PARTS: OBSOLETE CIS STREAMLINING PER D.RENAUD/D.SINISI
- 9 0.76um MIN GOLD PLATING ON MATING SURFACES

8 OBSOLETE	2 3 9	3-5646446-0
	2 4 6	-5646446-9
	2 3	5646446-1
	FINISH	PART NUMBER

DIMENSIONS:		TOLERANCES UNLESS OTHERWISE SPECIFIED:		DIN		16MAY05	
mm				B CARBO		16MAY05	
0-PLC	±	0-PLC	±	G.SKIPPER			
1-PLC	±0.1	1-PLC	±0.1	G.SKIPPER			
2-PLC	±0.05	2-PLC	±0.05	APVD			
3-PLC	±	3-PLC	±	G.SKIPPER			
4-PLC	±	4-PLC	±	16MAY05			
ANGLES	±	ANGLES	±	NAME			
MATERIAL		FINISH		SIZE		CAGE CODE	
SEE TABLE		SEE TABLE		A1		00779	
				DRAWING NO		RESTRICTED TO	
				5646446		-	
				CUSTOMER DRAWING		SCALE 5:1 SHEET 1 OF 1 REV E	