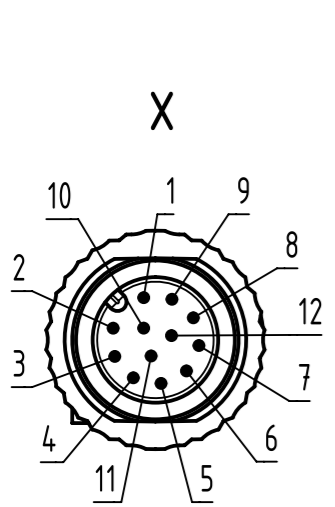
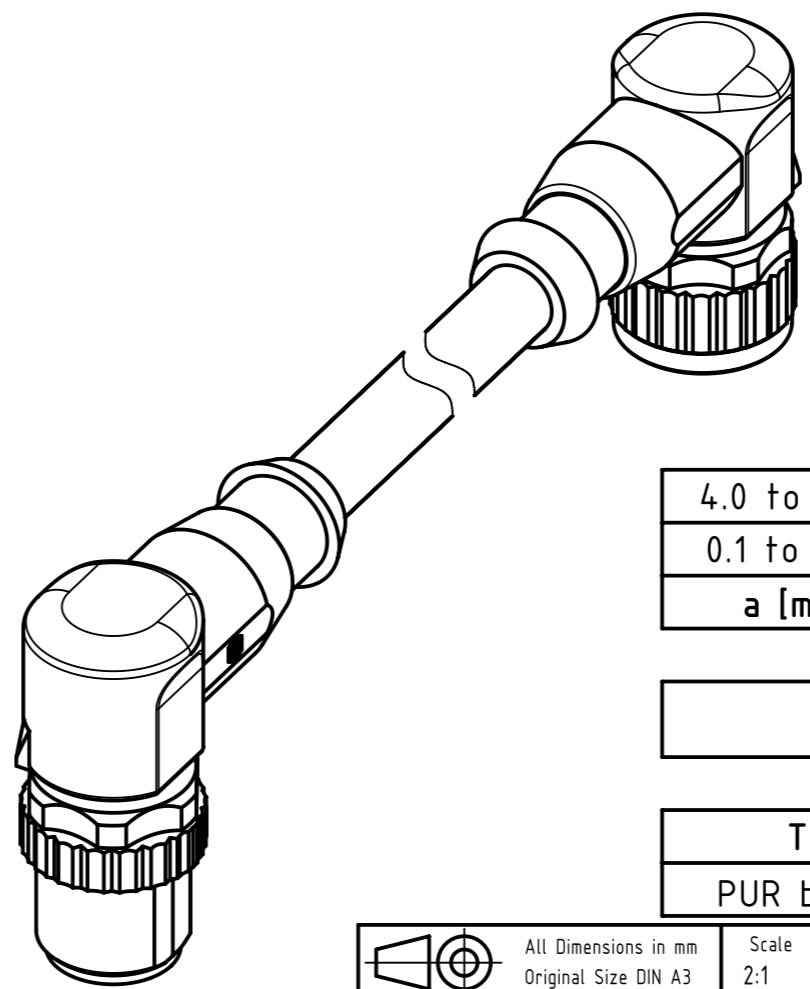
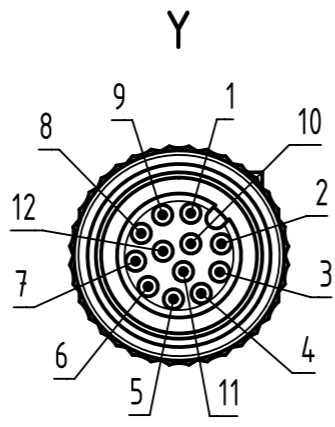


Loading-Plan:



- 1 — brown — 1
- 2 — blue — 2
- 3 — white — 3
- 4 — green — 4
- 5 — pink — 5
- 6 — yellow — 6
- 7 — black — 7
- 8 — grey — 8
- 9 — red — 9
- 10 — violet — 10
- 11 — grey-pink — 11
- 12 — red-blue — 12



4.0 to 100	+1%
0.1 to 3.9	+0.04
a [m]	Tolerance

length in "1m" step	100	XXX=000
	99	XXX=990
	.	.
	12	XXX=120
length in "0.1m" step	11	XXX=110
	10	XXX=100
	9.9	XXX=099
	9.8	XXX=098
	.	.
	0.4	XXX=004
	0.3	XXX=003
0.2	XXX=002	
0.1	XXX=001	
Step	a [m]	XXX

Part no. 21348687CXXXXX

Type of cable XX
PUR black, 12x0.14mm² XX=78

- Protection level: IP67
- Temperature range: -30°C ... +80°C

	All rights reserved		Scale 2:1		Free size tol.		Ref.	
	Department EC PD - RO		Created by TAMAS	Inspected by STOICA	Standardisation HOFFMANN	Date 2014-08-25	State Final Release	
HARTING Electronics GmbH		Title M12 A-coded Cable Assembly				Doc-Key / ECM-Nr. 100591328/UGD/009/A 50000079105		
D-32339 Espelkamp		Type TB	Number 21348687CXXXXX			Rev. A	Page 1/1	