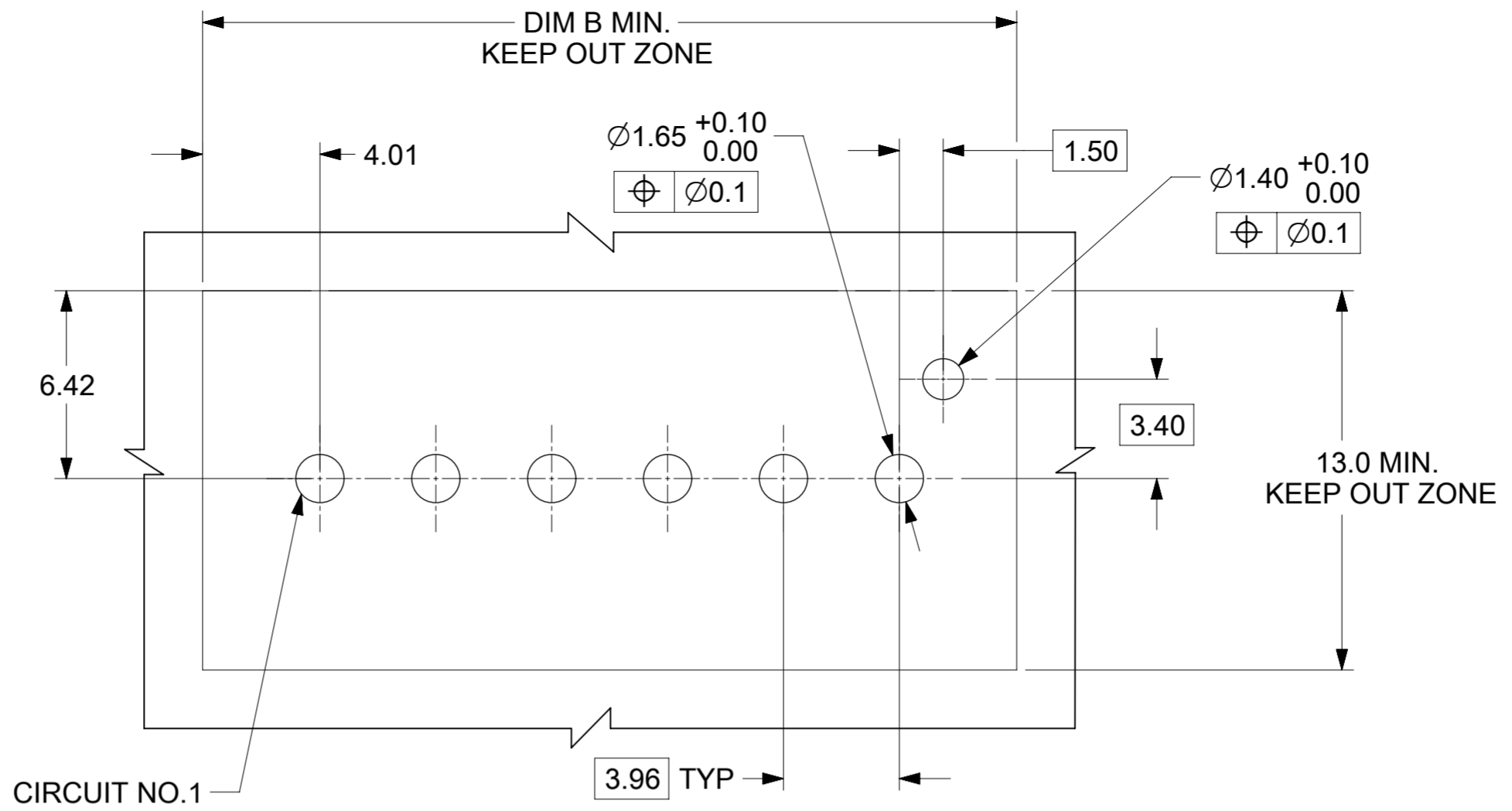
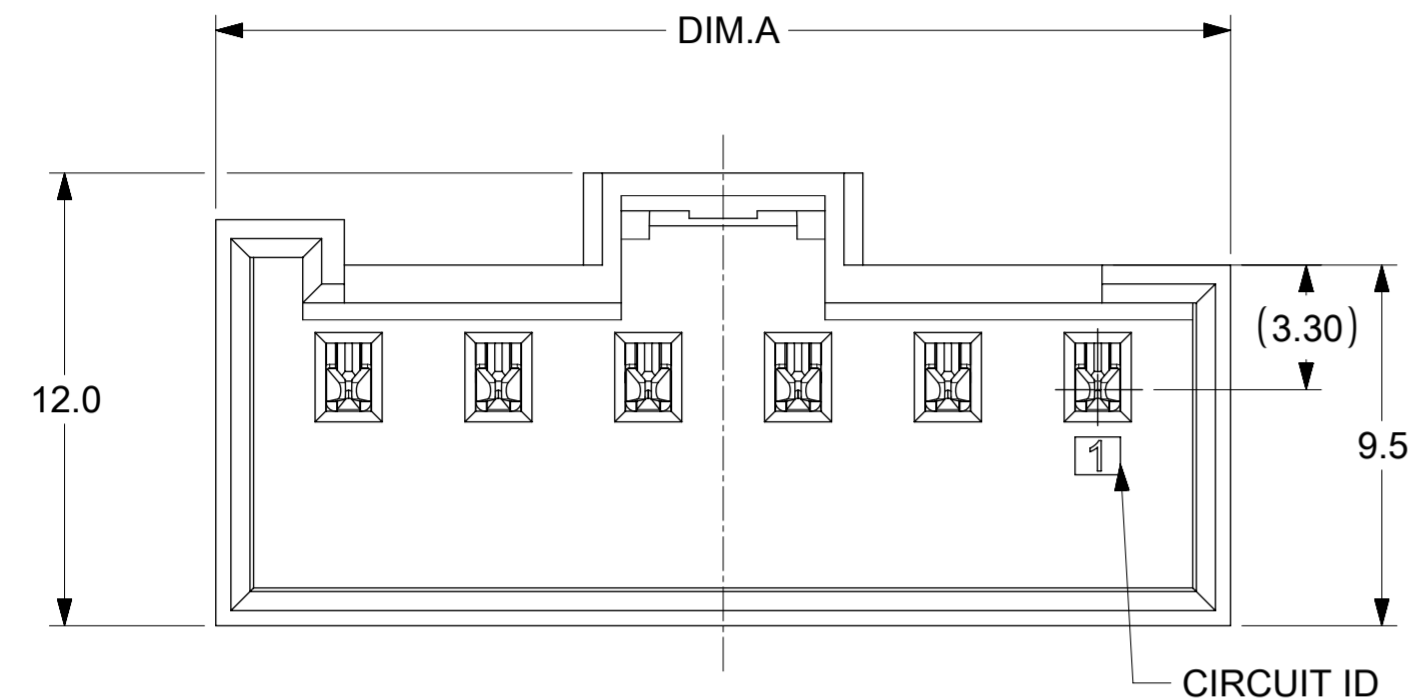
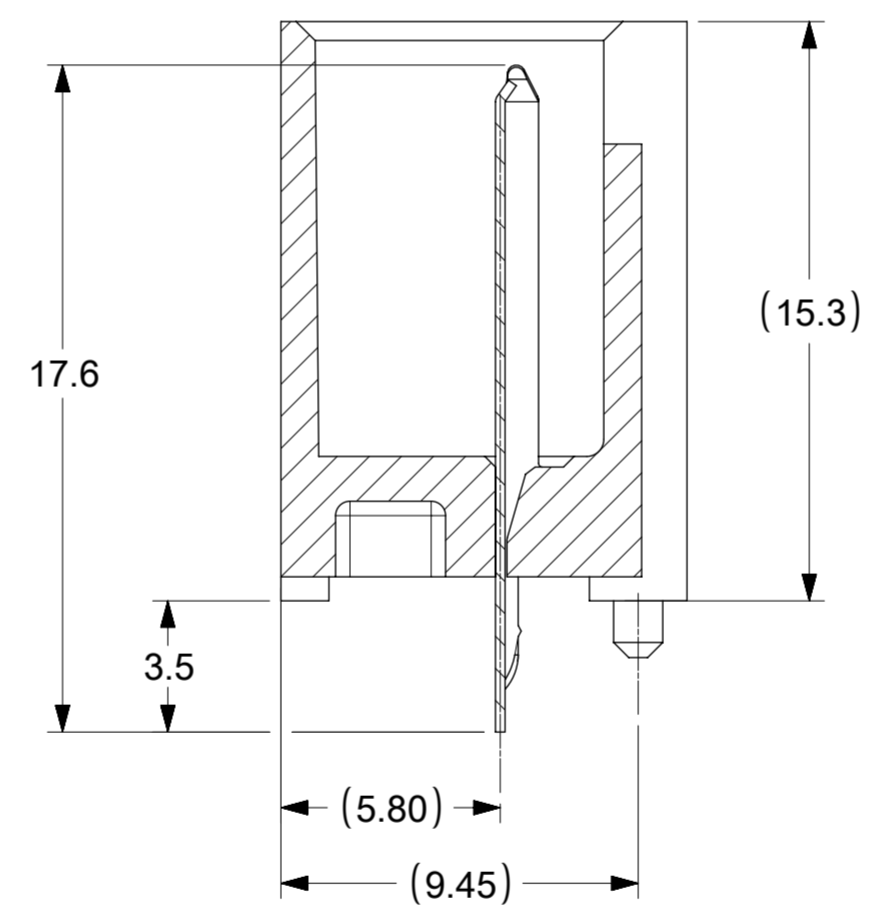
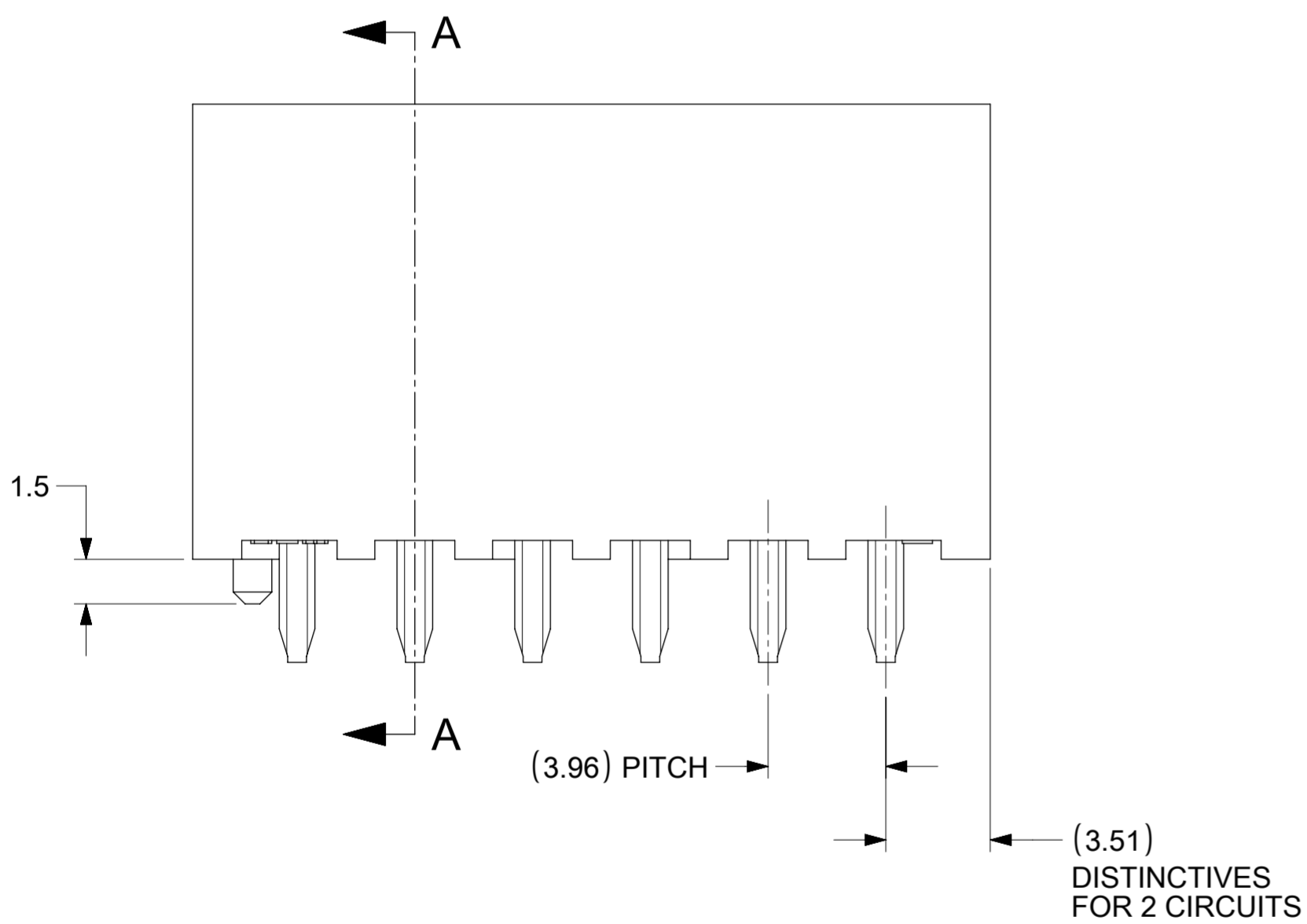
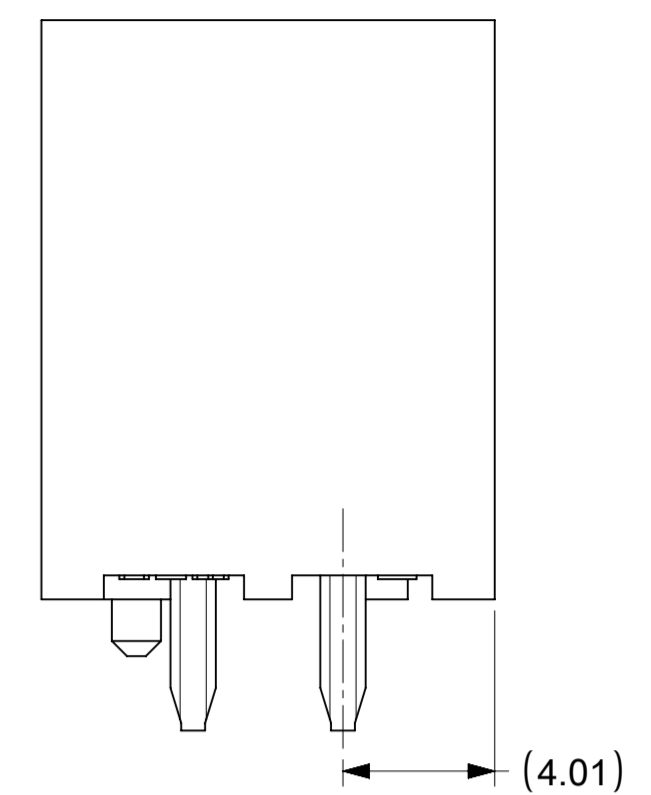


CIRCUIT SIZE	HEADER ASSY P/N	DIM. A	DIM. B
02	2074790002	11.99	12.99
03	2074790003	14.95	15.95
04	2074790004	18.91	19.91
05	2074790005	22.88	23.88
06	2074790006	26.84	27.84

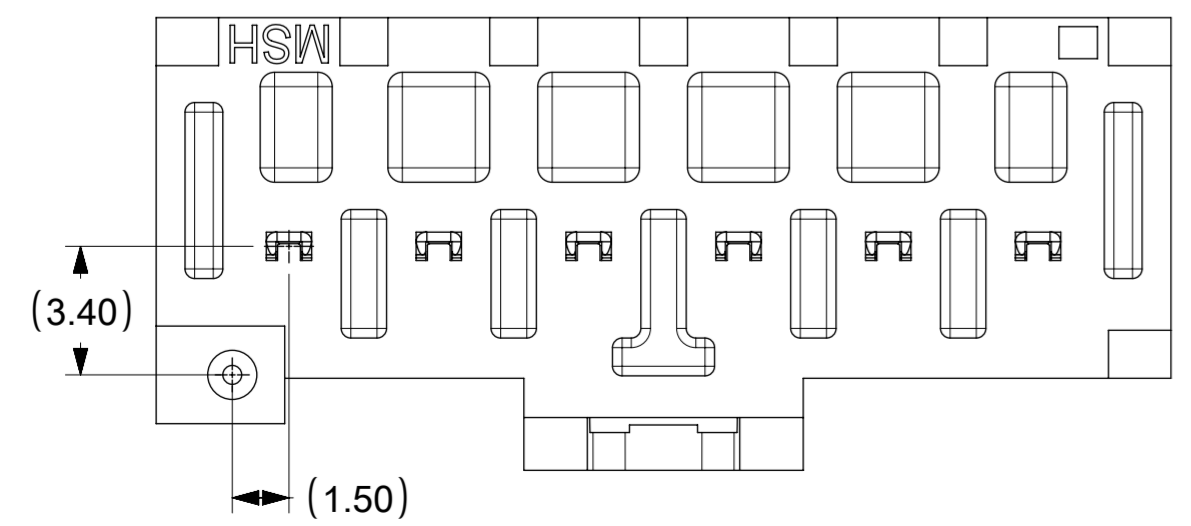
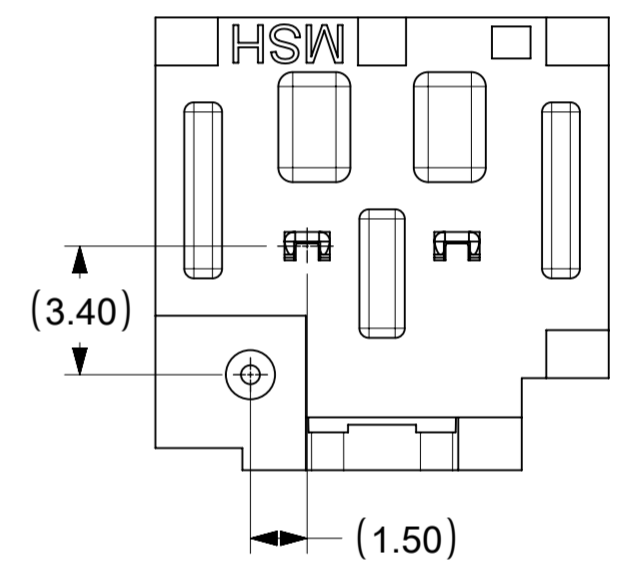


PCB FOR SHROUDED HEADER ASSEMBLY
PCB LAYOUT VIEWED FROM THE SOLDERING SIDE
(RECOMMENDED PCB THICKNESS : 1.60mm)

DISTINCTIVES FOR 2-CIRCUITS



SECTION A-A



- NOTES:
- MATERIAL:
 - HOUSING: LIQUID CRYSTAL POLYMER. RATED UL94V-0, COLOR-BLACK
 - TERMINAL: BRASS ALLOY PLATING: TIN OVER COPPER OVERALL
 - PRODUCT SPECIFICATION: 2074580000-PS
 - PACKAGING SPECIFICATION: 2074790000-PK
 - COSMETIC SPECIFICATION: PS-45499-002 CLASS B

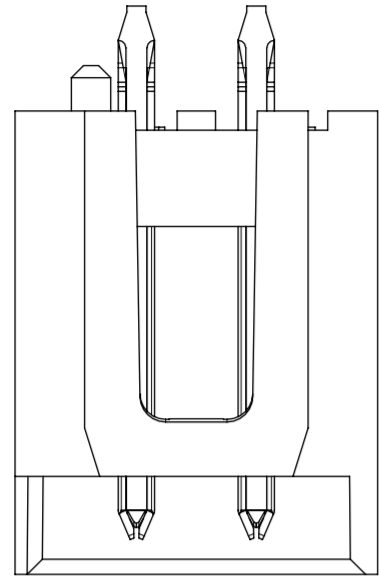
THIS DRAWING CONTAINS INFORMATION THAT IS PROPRIETARY TO MOLEX ELECTRONIC TECHNOLOGIES, LLC AND SHOULD NOT BE USED WITHOUT WRITTEN PERMISSION

DIMENSION UNITS	SCALE	CURRENT REV DESC: ADD ASSEMBLY VIEWS & DIMENSIONS	
mm	5:1		
GENERAL TOLERANCES (UNLESS SPECIFIED)		EC NO: 647622	
ANGULAR TOL	± 0.5°	DRWN: SMAHAJANSHET	2020/10/22
4 PLACES	±	CHK'D: NCSR	2020/10/23
3 PLACES	±	APPR: NCSR	2020/10/23
2 PLACES	± 0.2	INITIAL REVISION:	
1 PLACE	± 0.25	DRWN: GGUNAGI	2018/09/19
0 PLACES	±	APPR: NCSR	2019/02/05
DRAFT WHERE APPLICABLE MUST REMAIN WITHIN DIMENSIONS	THIRD ANGLE PROJECTION	DRAWING	SERIES
		A2-SIZE	207479

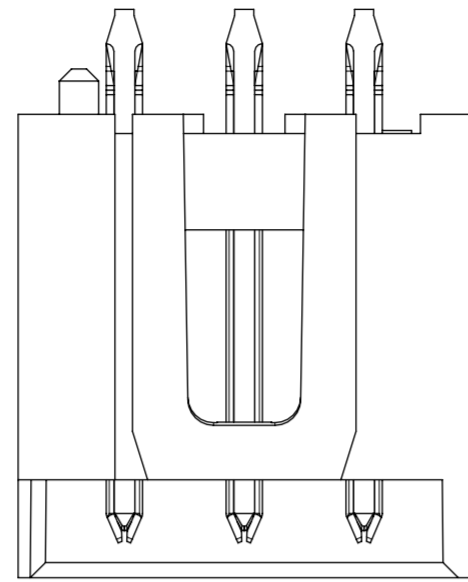
molex			
L1NK 396 SHROUDED HEADER ASSEMBLY			
PRODUCT CUSTOMER DRAWING			
DOCUMENT NUMBER	DOC TYPE	DOC PART	REVISION
2074790000-SD	PSD	000	C1
MATERIAL NUMBER	CUSTOMER	SHEET NUMBER	
SEE TABLE	GENERAL MARKET	1 OF 2	

POLARIZATION

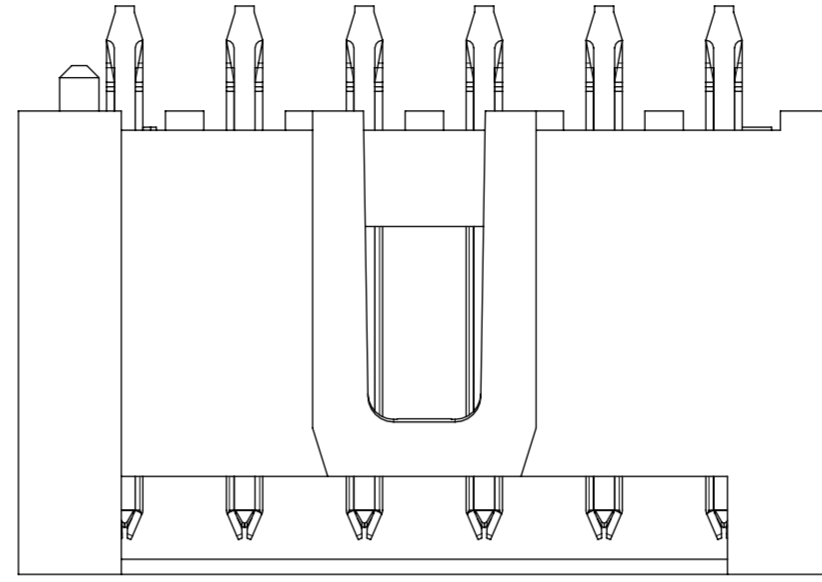
2 CKT



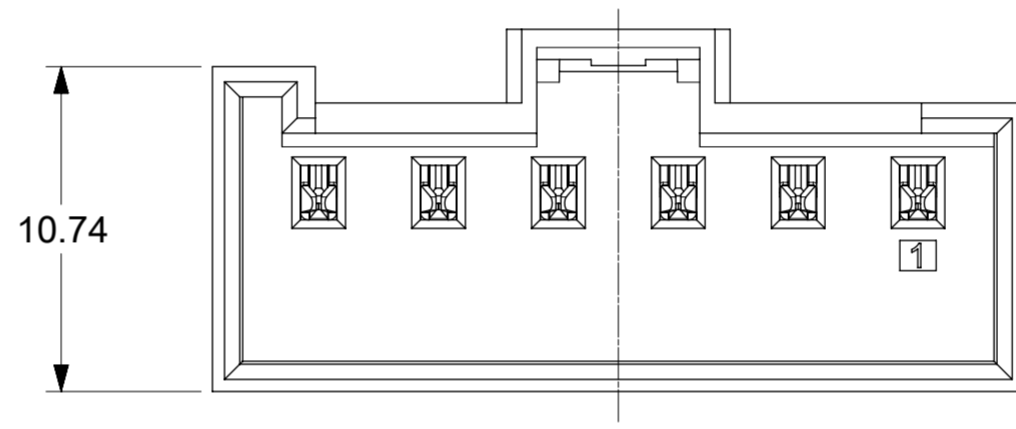
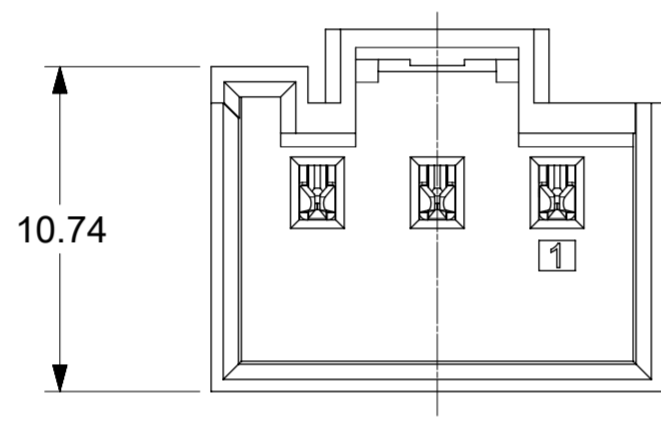
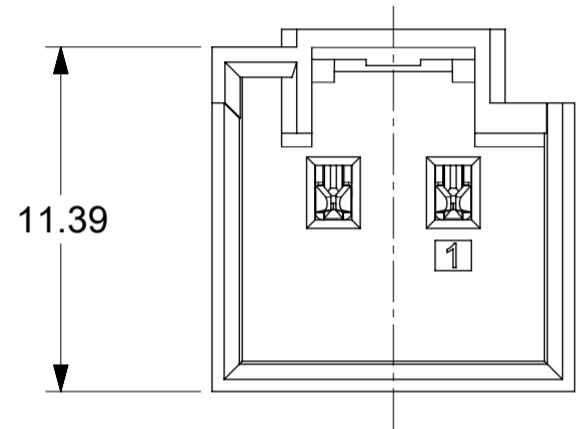
3 CKT



4 TO 6 CKT

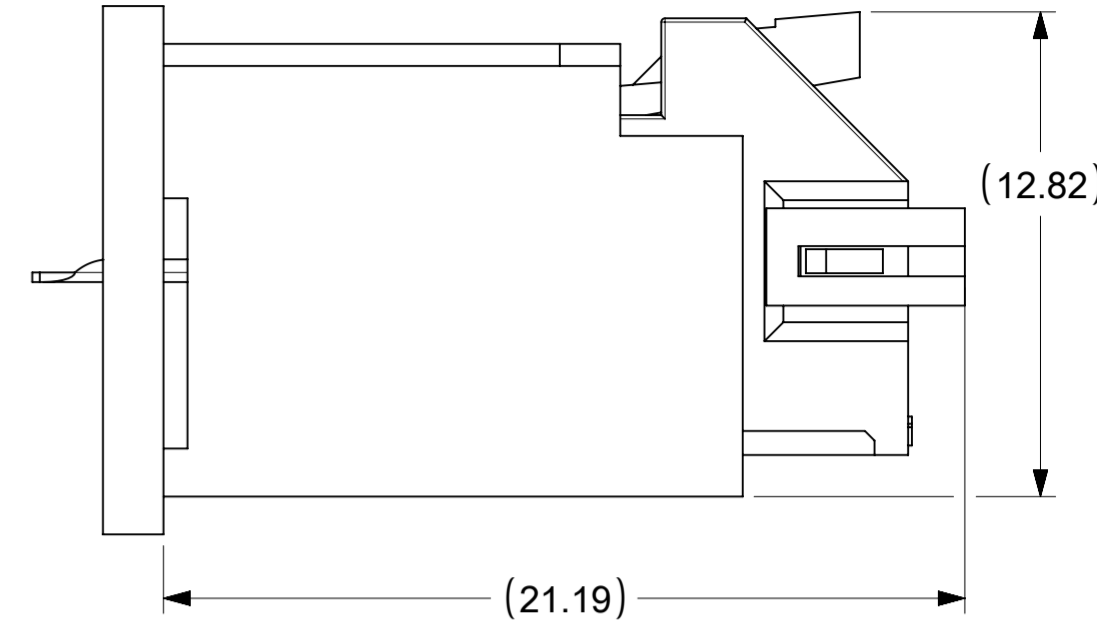


3.4

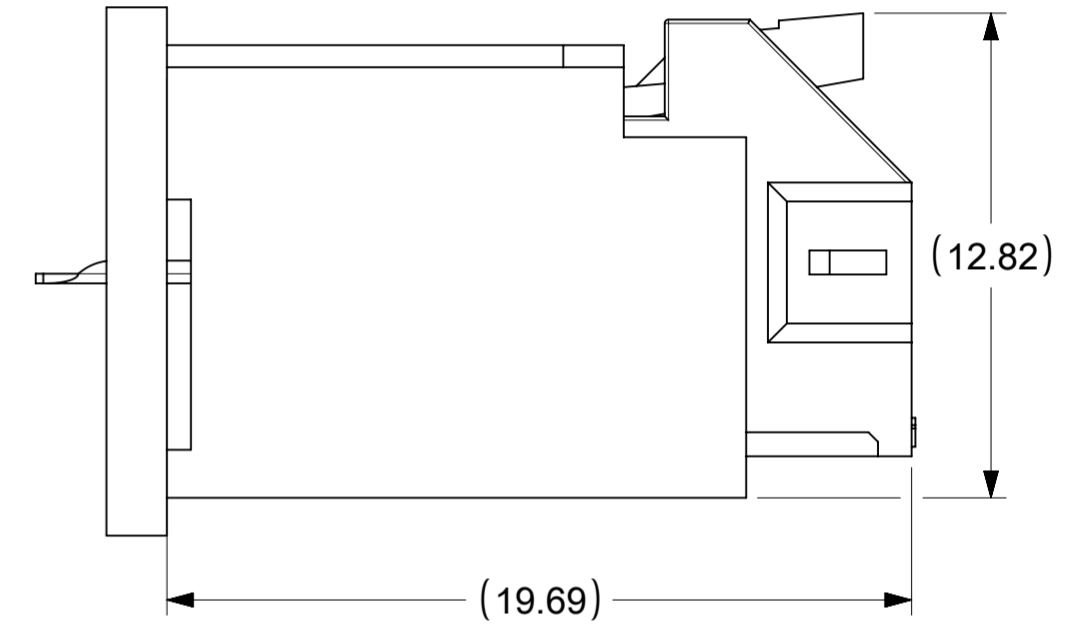


ASSEMBLY DIMENSIONS

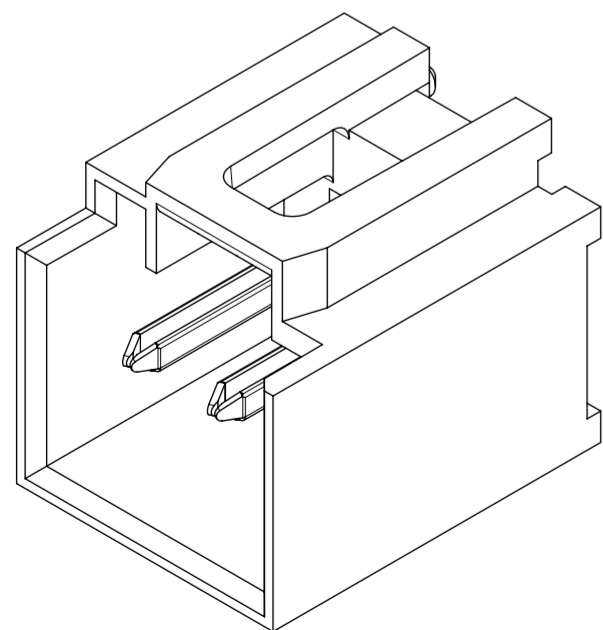
WITH TPA



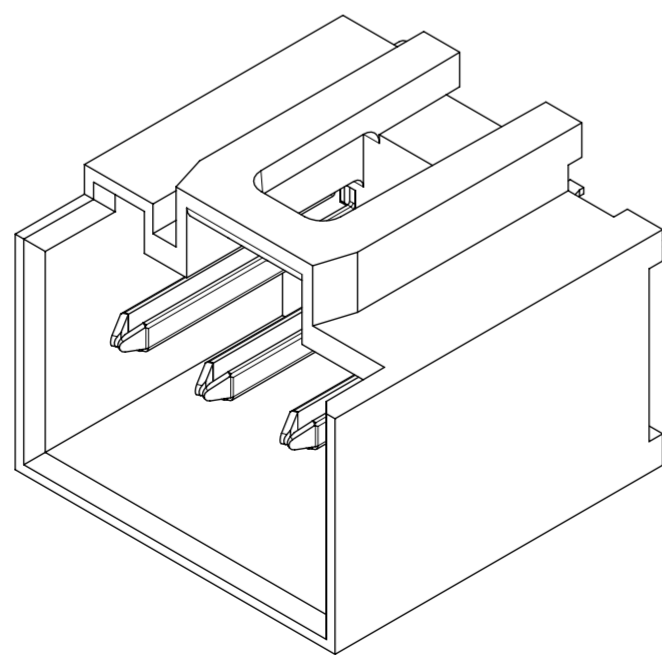
WITHOUT TPA



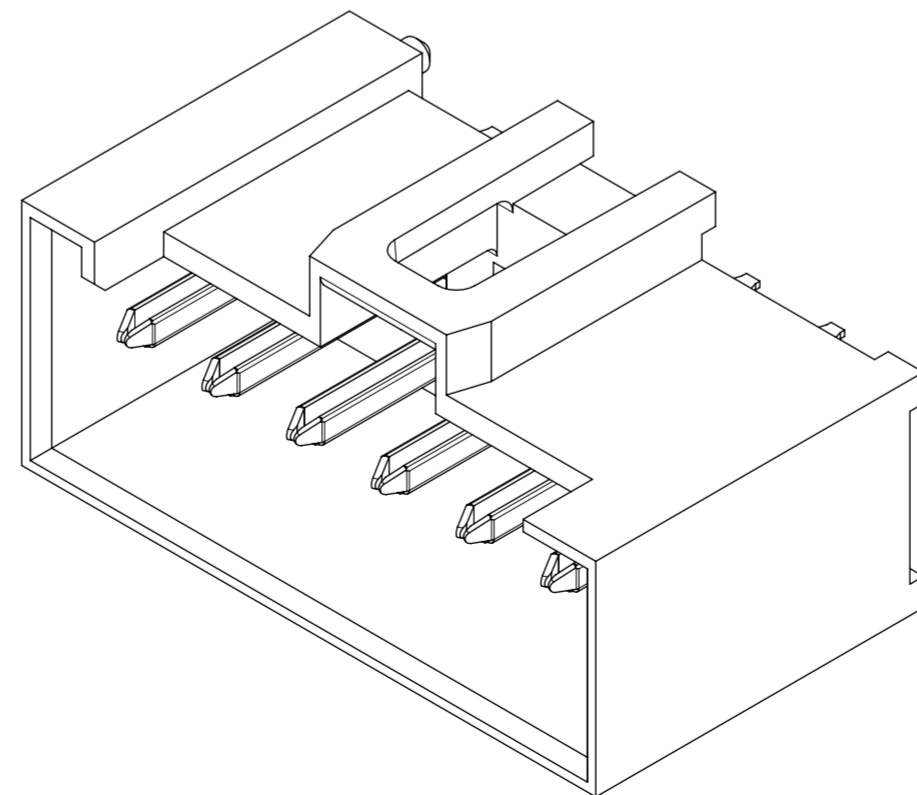
ISOMETRIC VIEW 2 CKT



ISOMETRIC VIEW 3 CKT



ISOMETRIC VIEW 6 CKT



THIS DRAWING CONTAINS INFORMATION THAT IS PROPRIETARY TO MOLEX ELECTRONIC TECHNOLOGIES, LLC AND SHOULD NOT BE USED WITHOUT WRITTEN PERMISSION

DIMENSION UNITS mm	SCALE 4:1	CURRENT REV DESC: ADD ASSEMBLY VIEWS & DIMENSIONS				
GENERAL TOLERANCES (UNLESS SPECIFIED)		EC NO: 647622				
ANGULAR TOL ± 0.5°		DRWN: SMAHAJANSHET	2020/10/22	SHROUDED HEADER ASSEMBLY		
4 PLACES ±		CHK'D: NCSR	2020/10/23	PRODUCT CUSTOMER DRAWING		
3 PLACES ±		APPR: NCSR	2020/10/23	DOCUMENT NUMBER		
2 PLACES ± 0.2		INITIAL REVISION:		2074790000-SD		
1 PLACE ± 0.25		DRWN: GGUNAGI	2018/09/19	DOC TYPE	DOC PART	REVISION
0 PLACES ±		APPR: NCSR	2019/02/05	PSD	000	C1
DRAFT WHERE APPLICABLE MUST REMAIN WITHIN DIMENSIONS	THIRD ANGLE PROJECTION	DRAWING	SERIES	MATERIAL NUMBER	CUSTOMER	SHEET NUMBER
		A2-SIZE	207479	SEE TABLE	GENERAL MARKET	2 OF 2

DOCUMENT STATUS	P1	RELEASE DATE	2020/10/23	10:59:49
-----------------	----	--------------	------------	----------